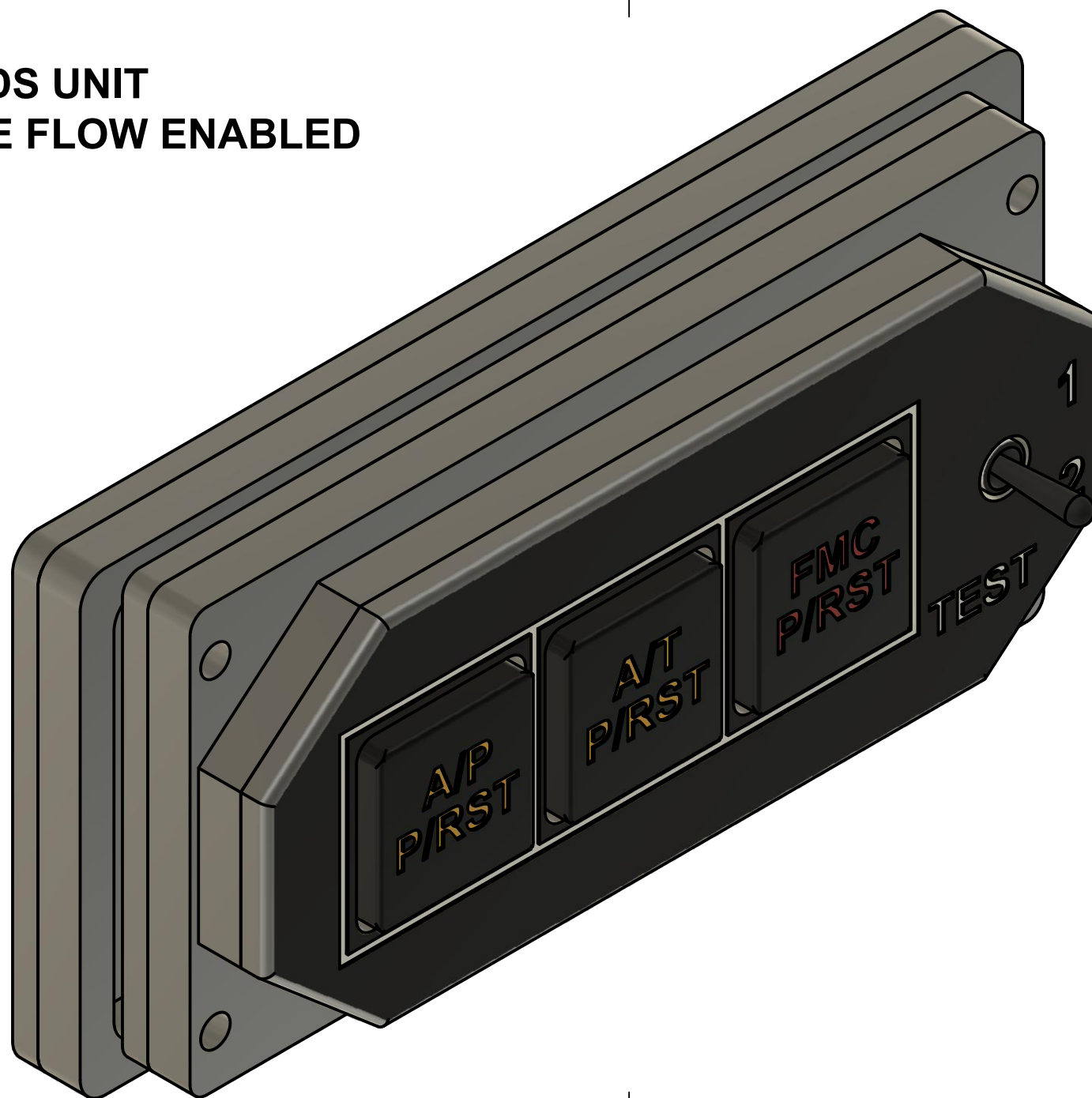
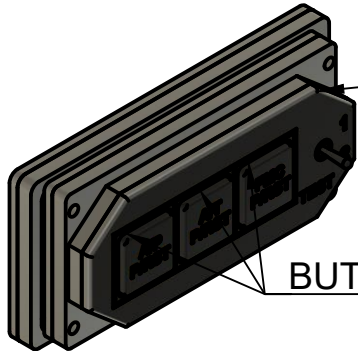


**AFDS UNIT
LITE FLOW ENABLED**



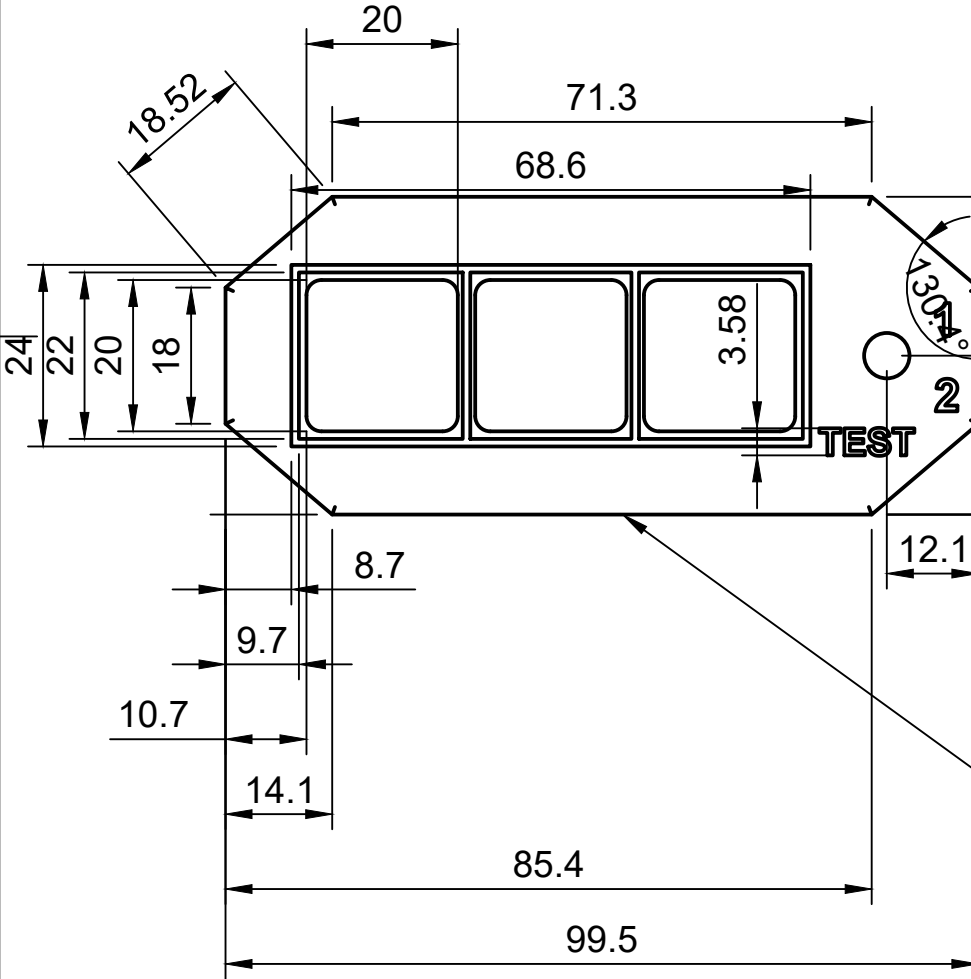
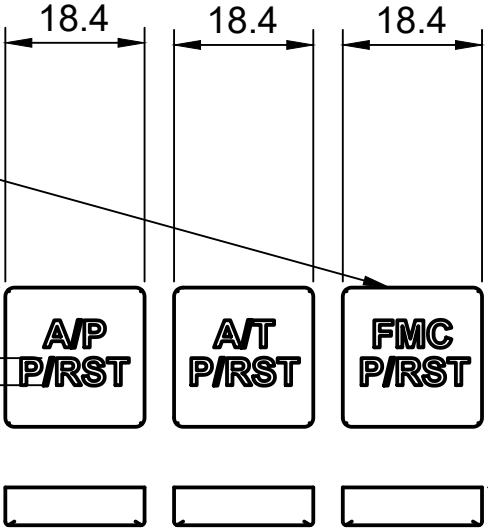
Designed & Created by
Karl Clarke
WWW.737DIYSIM.COM
Facebook/Boeing738v2
2018



AFDS Faceplate

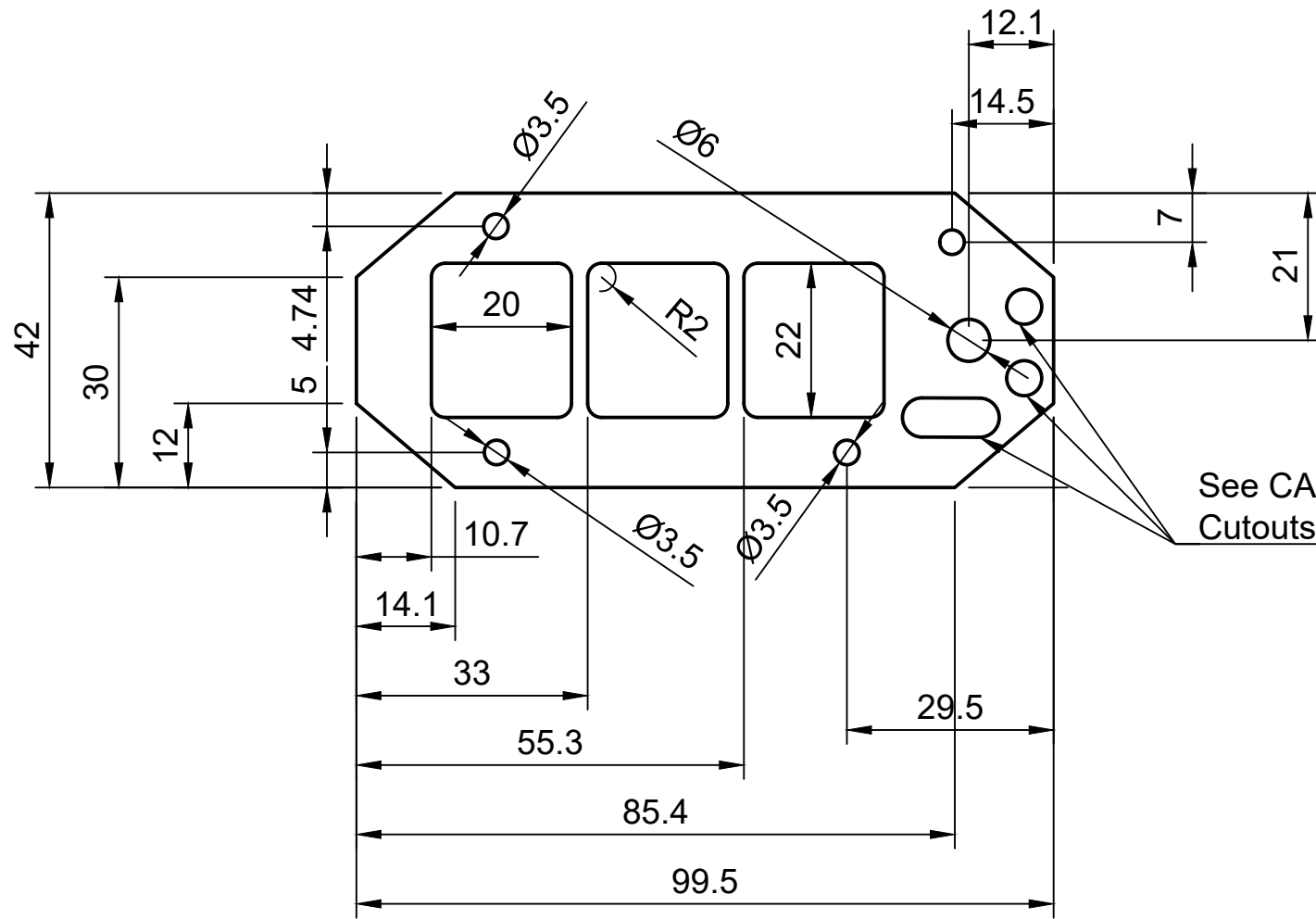
BUTTONS

BUTTONS

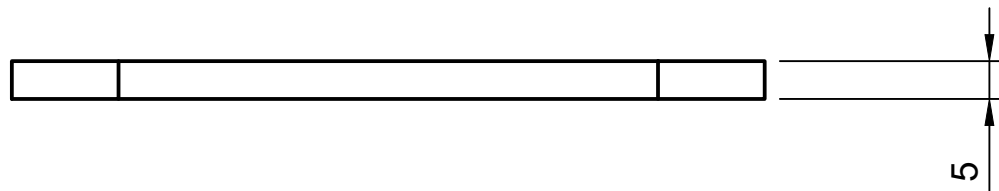


AFDS Faceplate

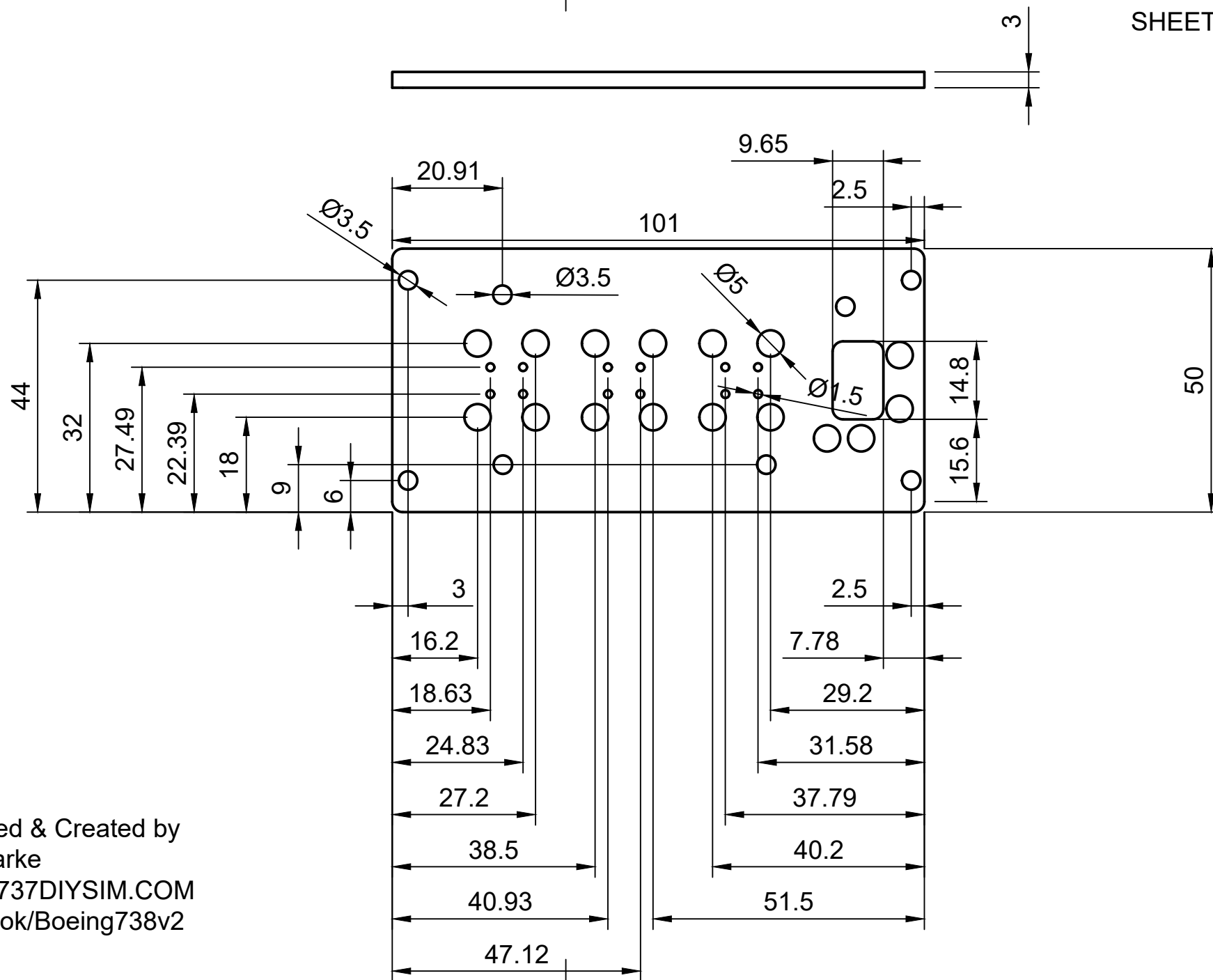
Designed & Created by
 Karl Clarke
 WWW.737DIYSIM.COM
 Facebook/Boeing738v2
 2018



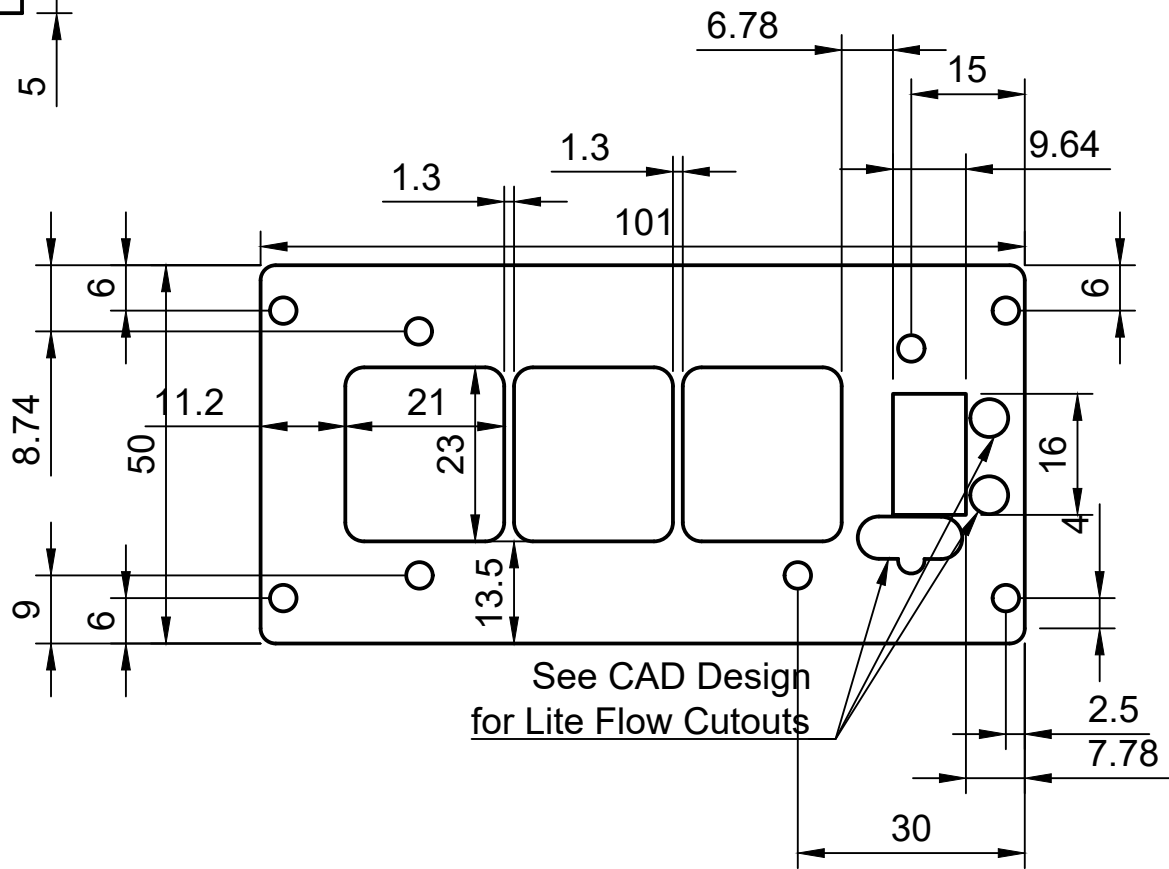
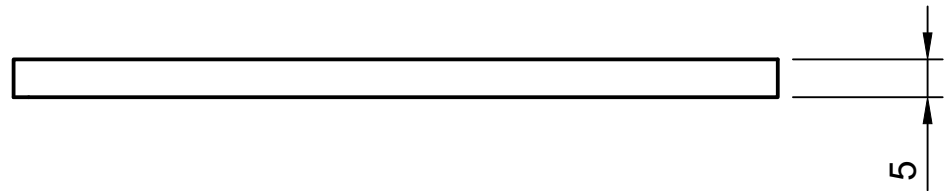
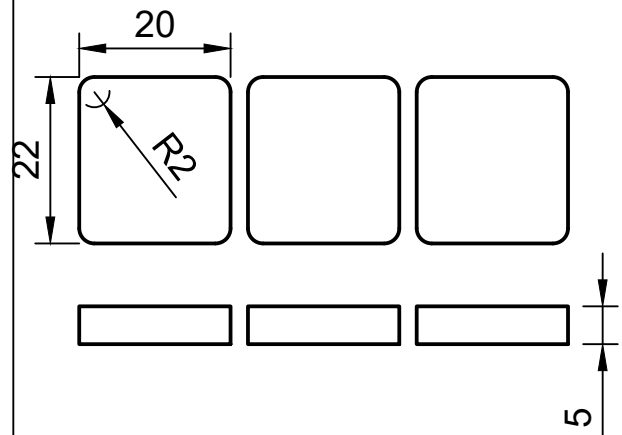
See CAD Design for Liteflow Cutouts



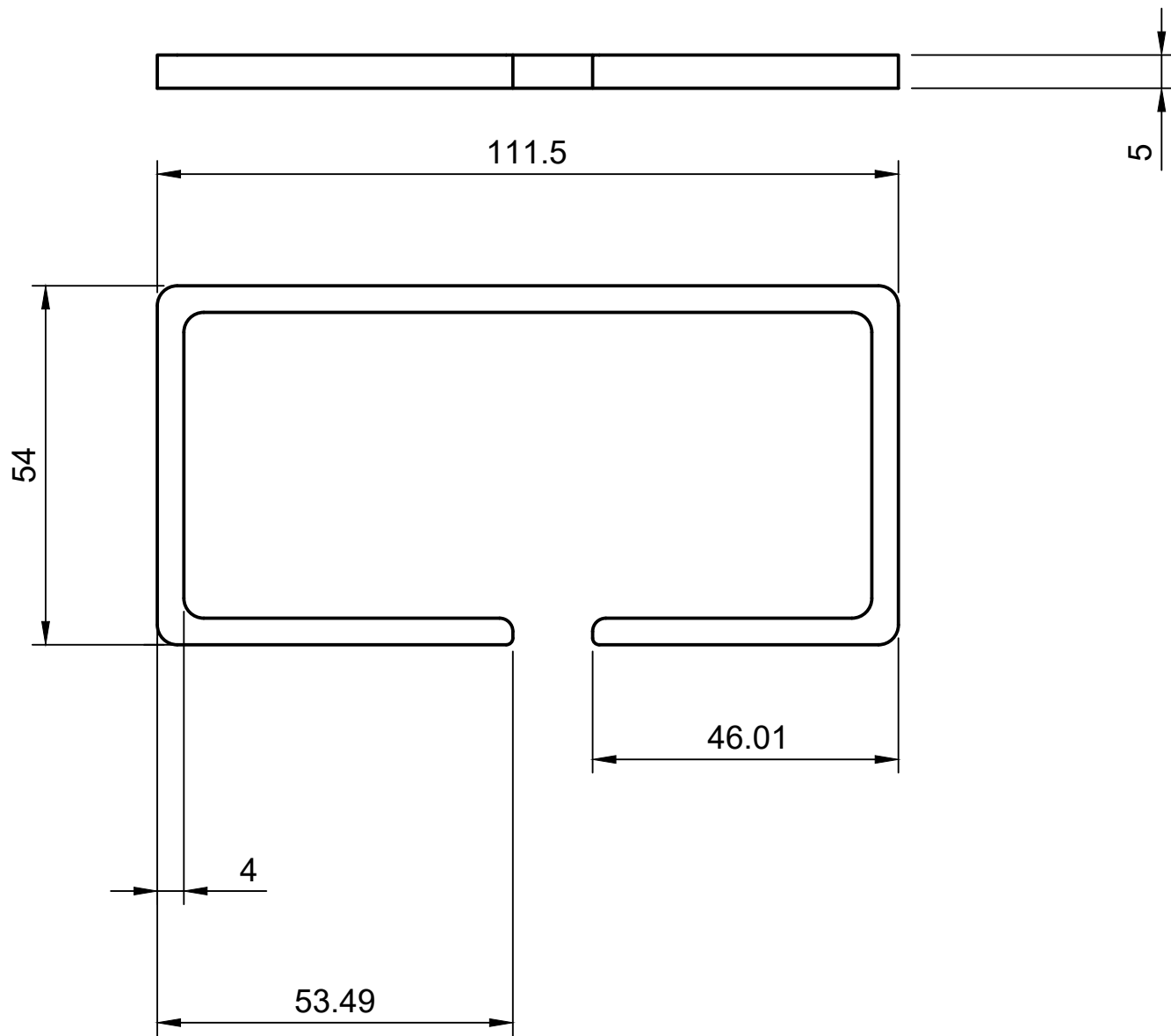
Designed & Created by
Karl Clarke
WWW.737DIYSIM.COM
Facebook/Boeing738v2
2018



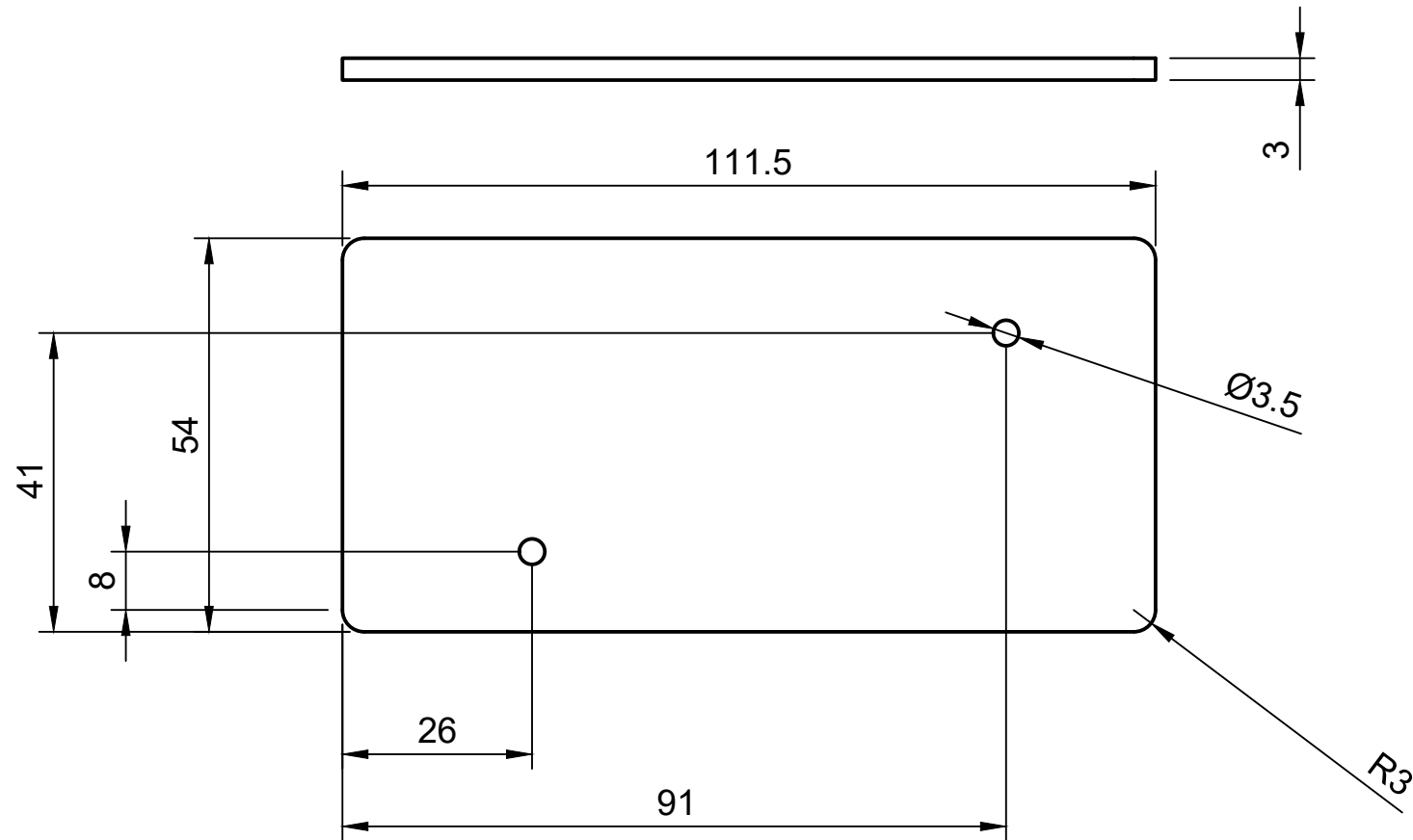
Designed & Created by
 Karl Clarke
 WWW.737DIYSIM.COM
 Facebook/Boeing738v2
 2018



Designed & Created by
 Karl Clarke
 WWW.737DIYSIM.COM
 Facebook/Boeing738v2
 2018

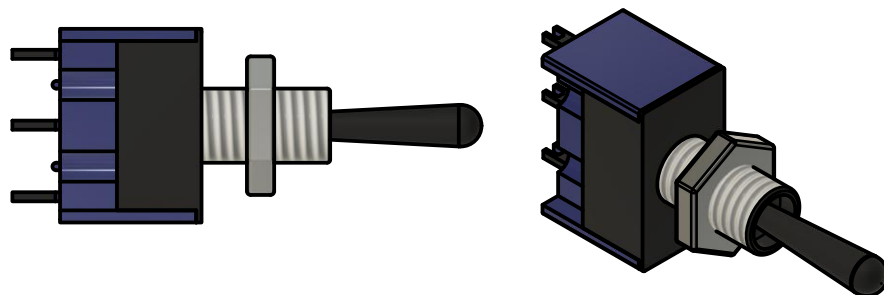


Designed & Created by
Karl Clarke
WWW.737DIYSIM.COM
Facebook/Boeing738v2
2018

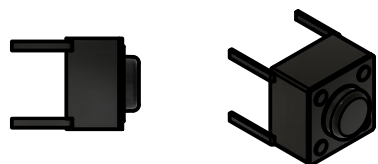
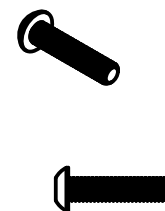


Designed & Created by
Karl Clarke
WWW.737DIYSIM.COM
Facebook/Boeing738v2
2018

Mini Toggle Switch x1 ON-OFF-ON



15mm m3 screw x2



Tactile Switch x3 6x6mm



30mm m3 screw x2



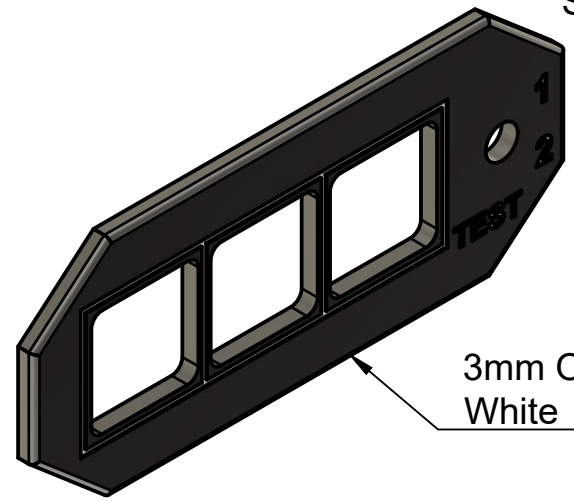
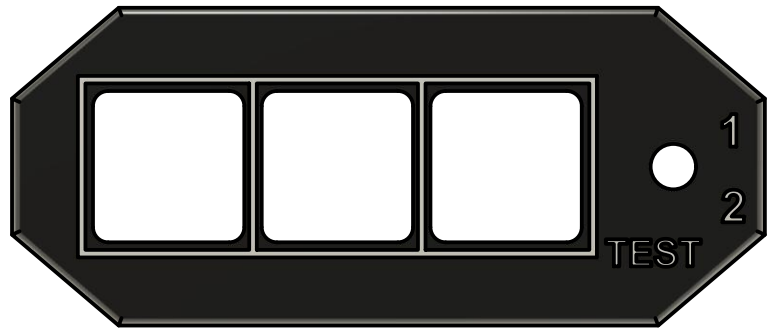
Bi Colour LED RED/YELLOW x8



5mm White LED x4

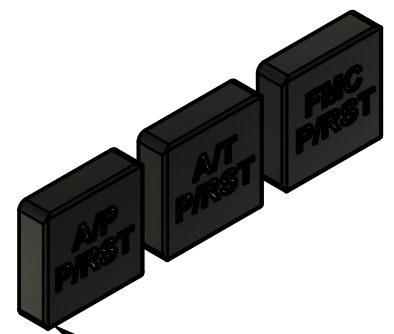
Components Required

Designed & Created by
Karl Clarke
WWW.737DIYSIM.COM
Facebook/Boeing738v2
2018



3mm Opaque Perspex White

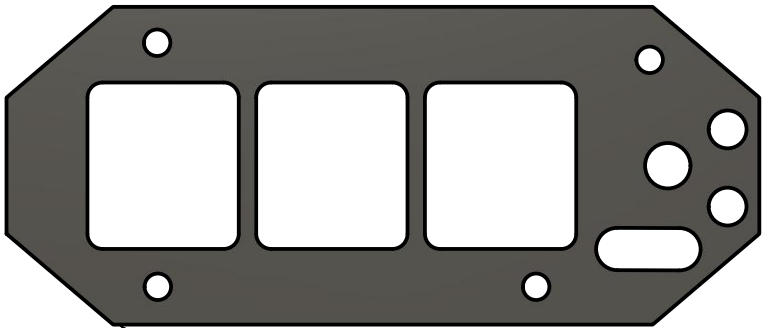
AFDS Faceplate



5mm Opaque Perspex White

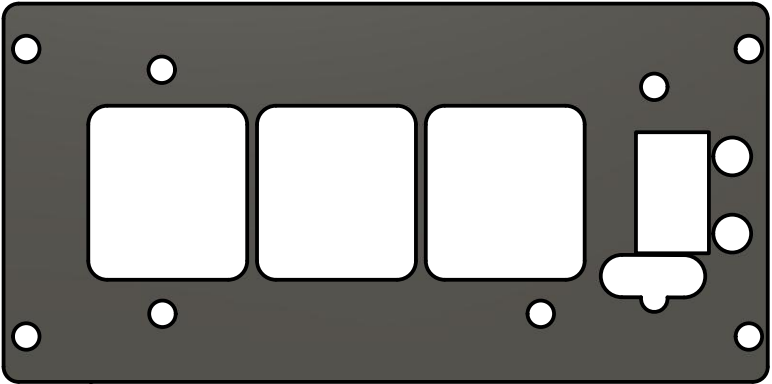
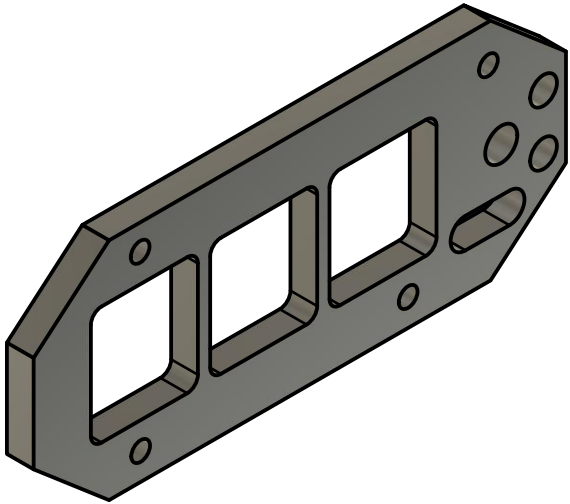
AFDS Button Faceplates

Designed & Created by
Karl Clarke
WWW.737DIYSIM.COM
Facebook/Boeing738v2
2018



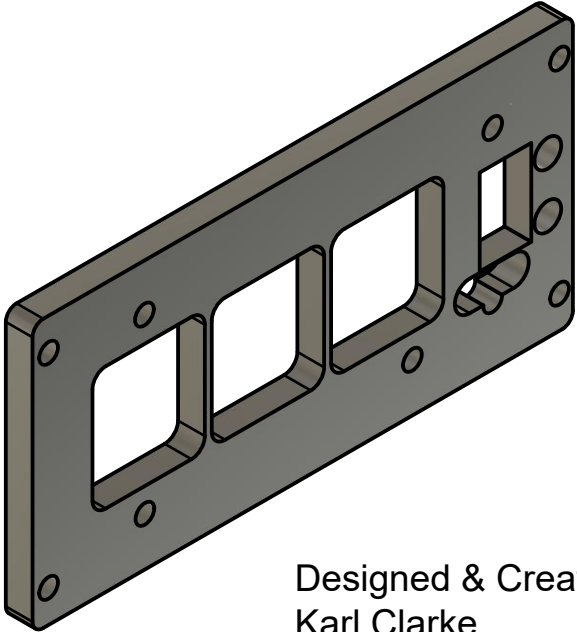
5mm Opaque Perspex

AFDS SPACER



5mm Opaque Perspex

AFDS BACKPLATE

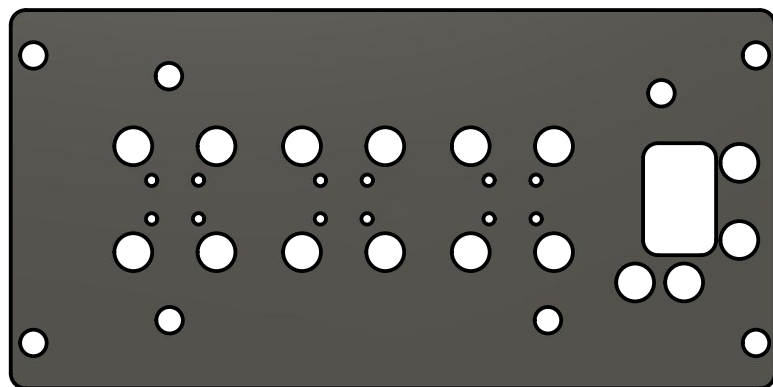
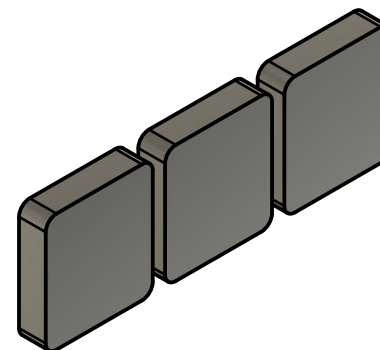


Designed & Created by
Karl Clarke
WWW.737DIYSIM.COM
Facebook/Boeing738v2
2018



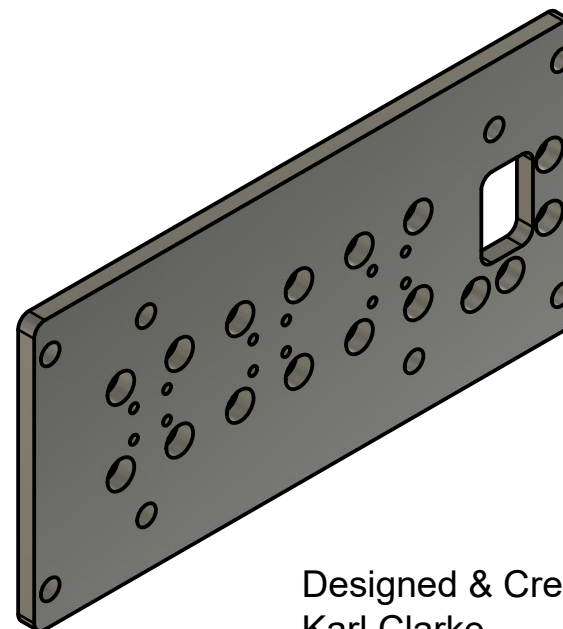
5mm Clear Perspex

AFDS Button Backplates

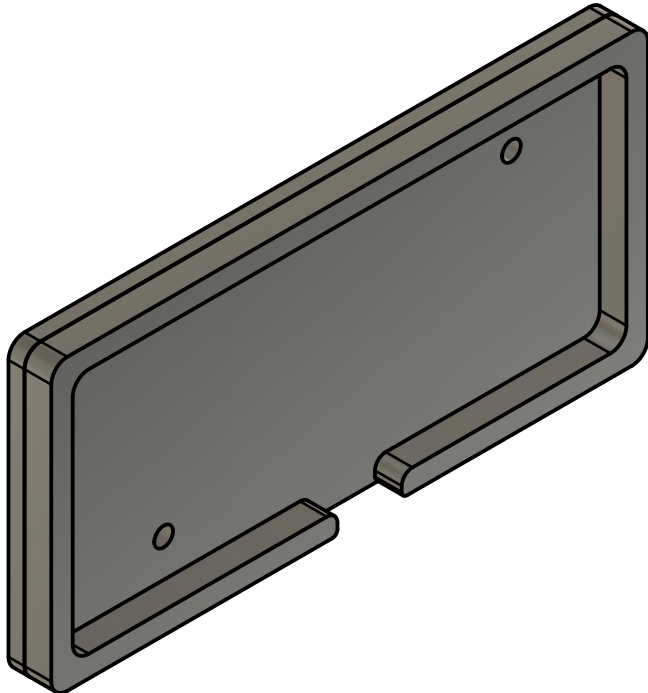


3mm Solid Colour Perspex

AFDS LED PLATE



Designed & Created by
Karl Clarke
WWW.737DIYSIM.COM
Facebook/Boeing738v2
2018



Solid colour perspex. This item is optional.
However it stops the MIP backlighting from lighting the buttons
from light bleed.

AFDS COVER

Designed & Created by
Karl Clarke
WWW.737DIYSIM.COM
Facebook/Boeing738v2
2018