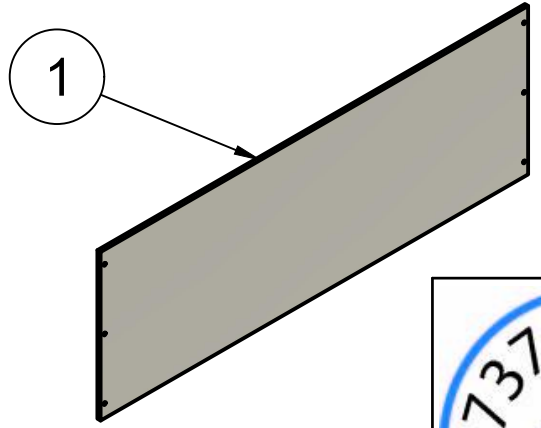
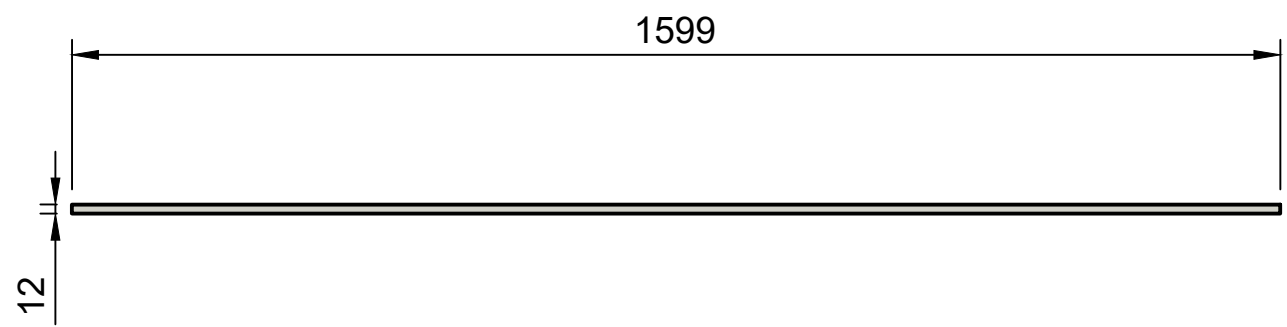
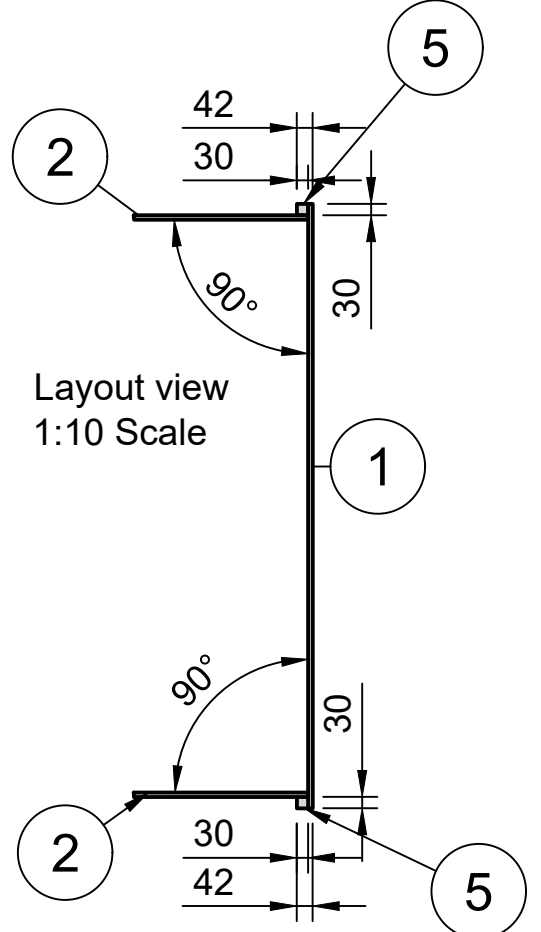
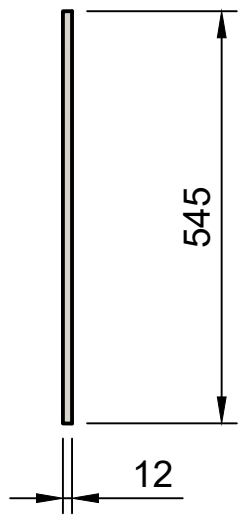
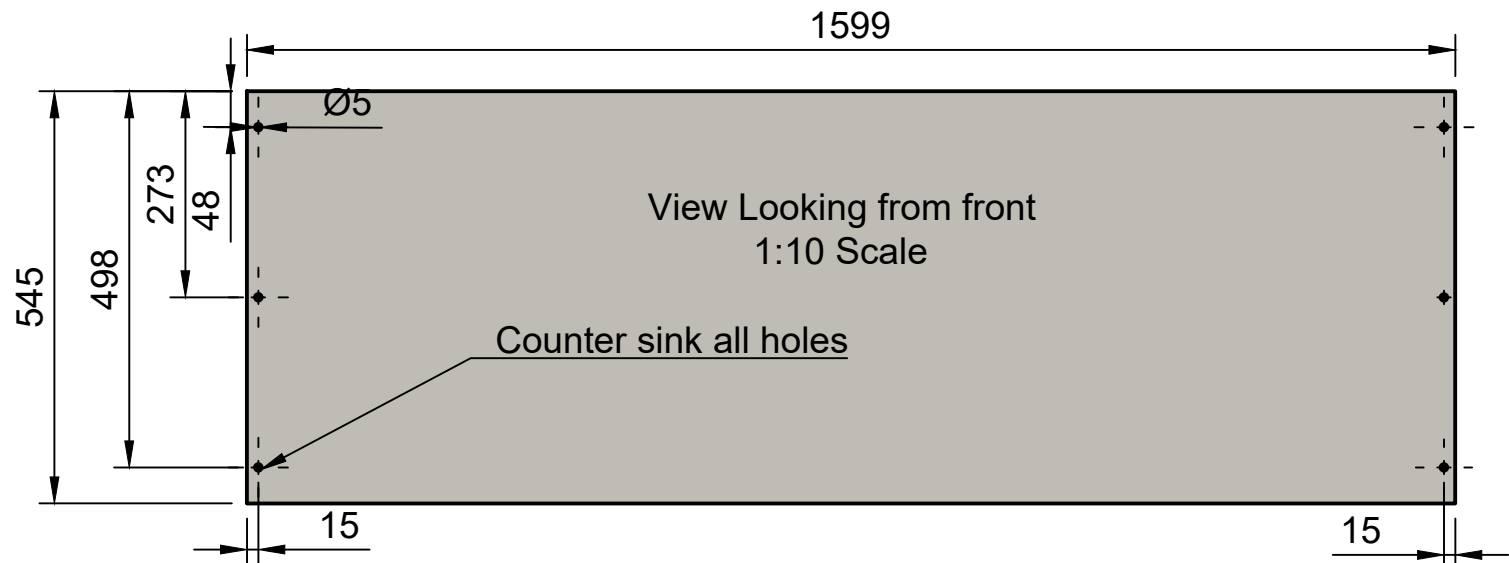
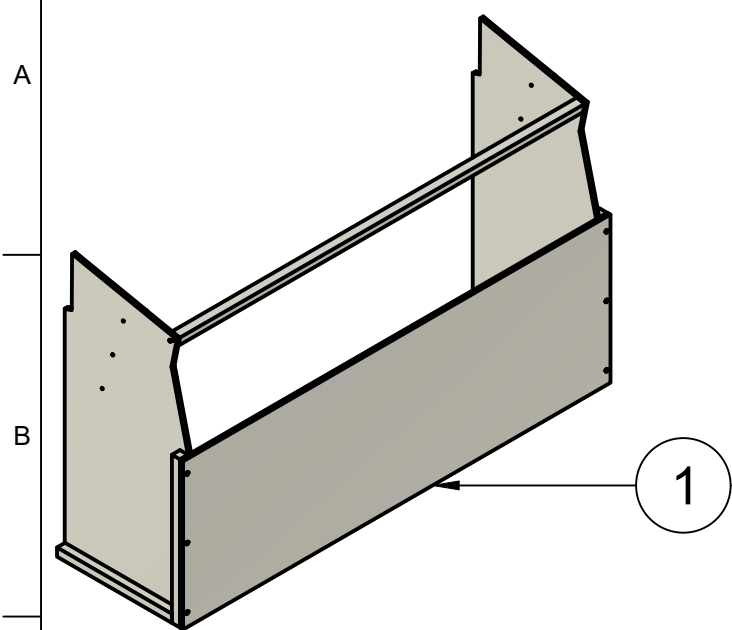


Parts List			
Item	Qty	Part Number	Part Name
1	1	12mm MDF	MIP BackBoard
2	2	12mm MDF	MIP SIDE
3	2	30mm x 30mm Pine	Lower Support
4	1	30mm x 30mm Pine	Upper MIP Support
5	2	30mm x 30mm Pine	Backboard Support



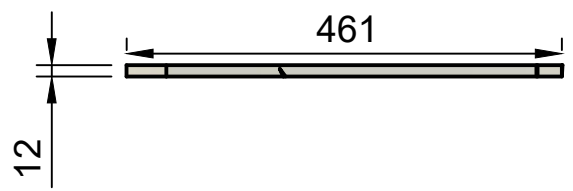
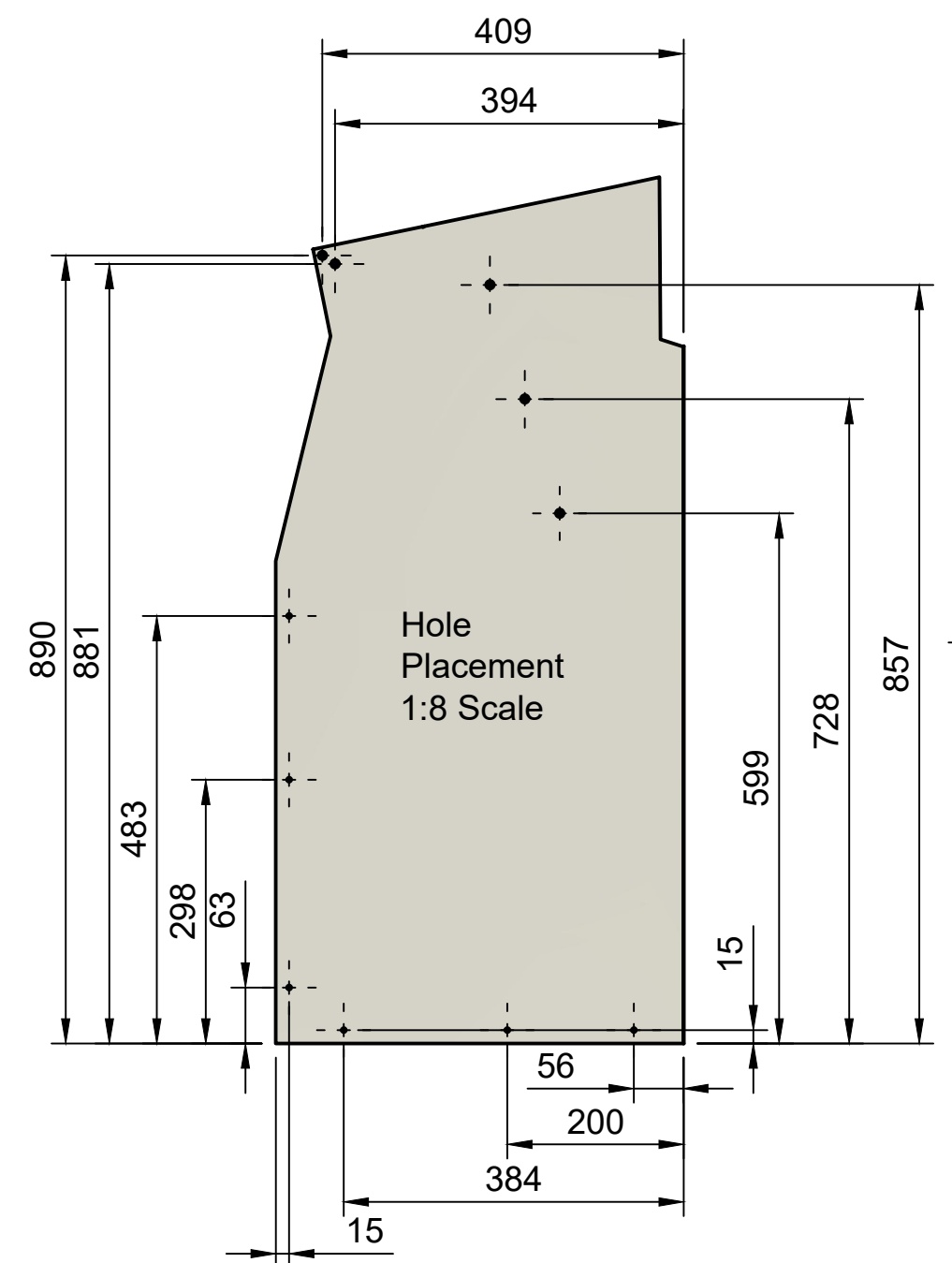
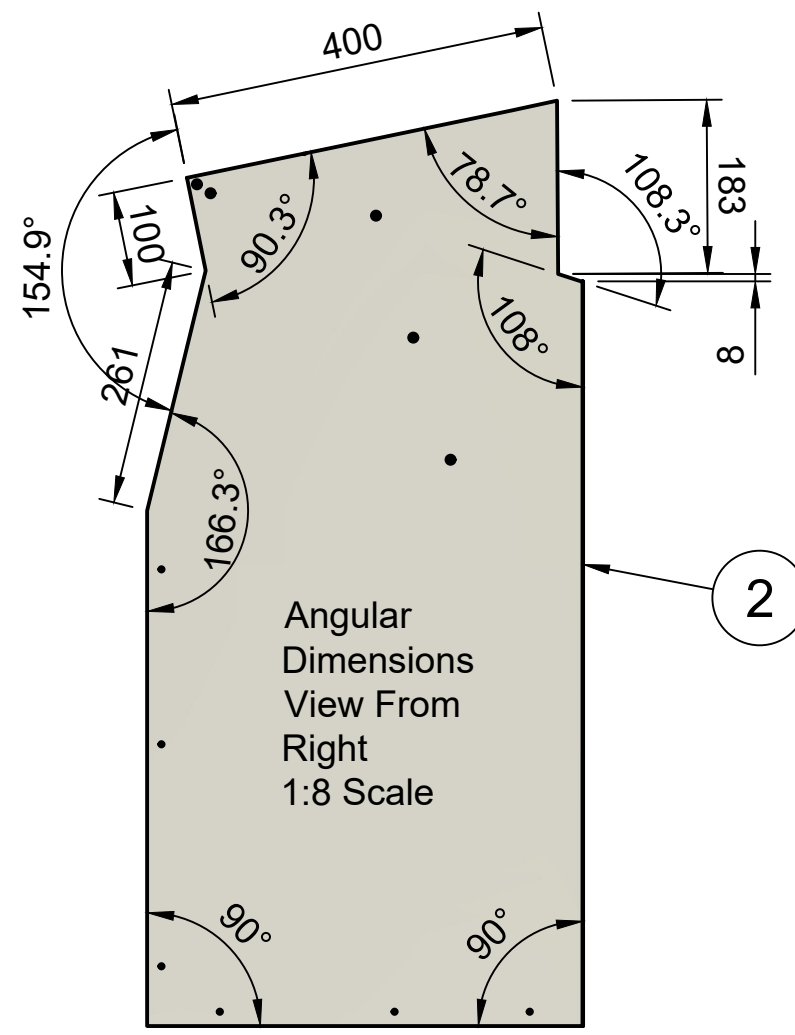
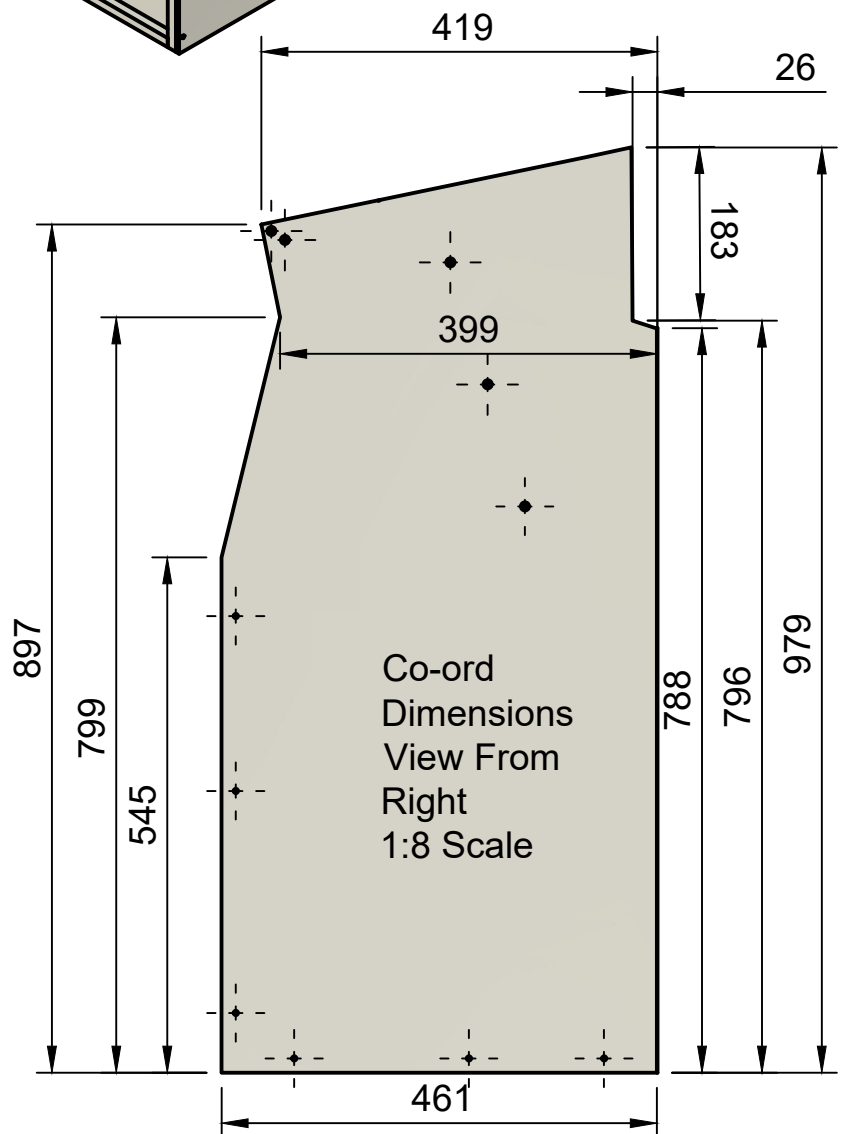
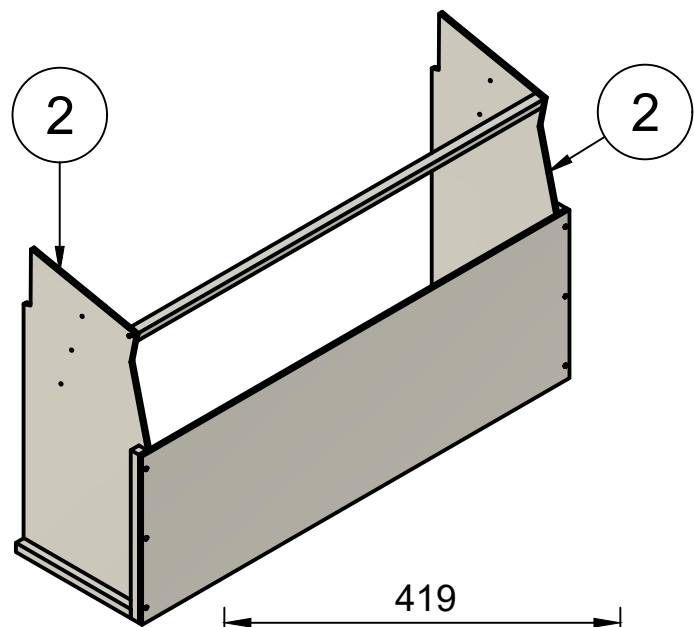
Created by: Karl Clarke		
www.737DIYSIM.com		
Title: MIP Structure		
Rev.	Date of issue	Sheet 1/8

Parts List				
Item	Qty	Part Number	Part Name	Material
1	1	12mm MDF	MIP BackBoard	
2	2	12mm MDF	MIP SIDE	MDF Medium Density Fiberboard
5	2	30mm x 30mm Pine	Backboard Support	Pine



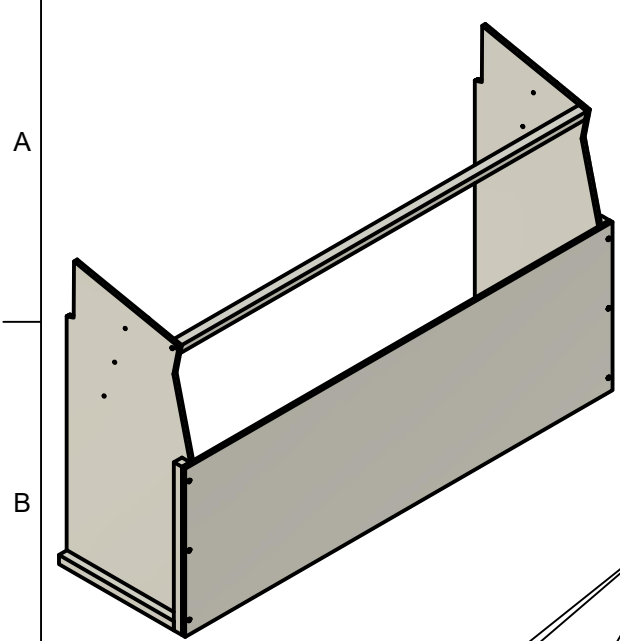
Created by: Karl Clarke		
www.737DIYSIM.com		
Title: MIP Structure		
Rev.	Date of issue	Sheet 3/8

Parts List				
Item	Qty	Part Number	Part Name	Material
2	2	12mm MDF	MIP SIDE	MDF Medium Density Fiberboard

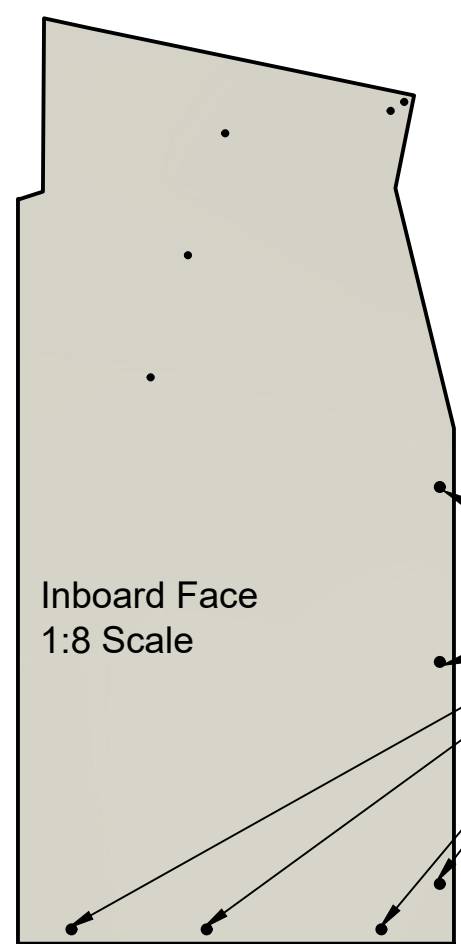
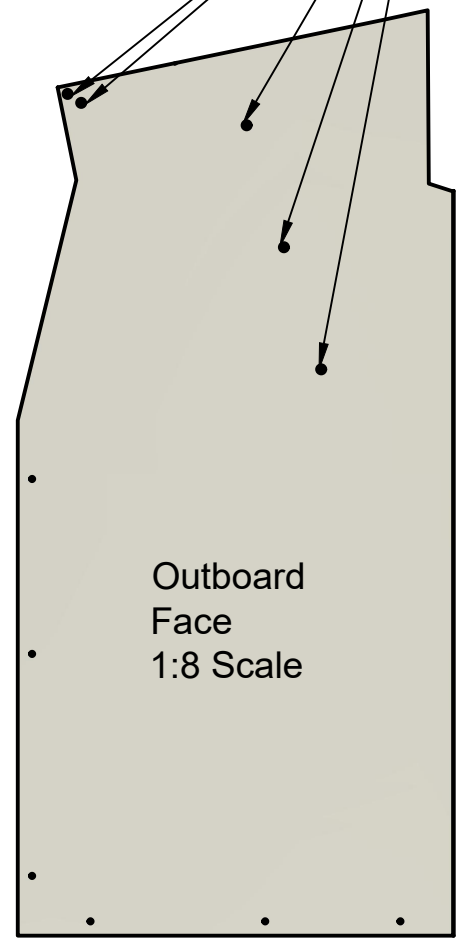


Created by: Karl Clarke		
www.737DIYSIM.com		
Title: MIP Structure		
Rev.	Date of issue	Sheet 4/8

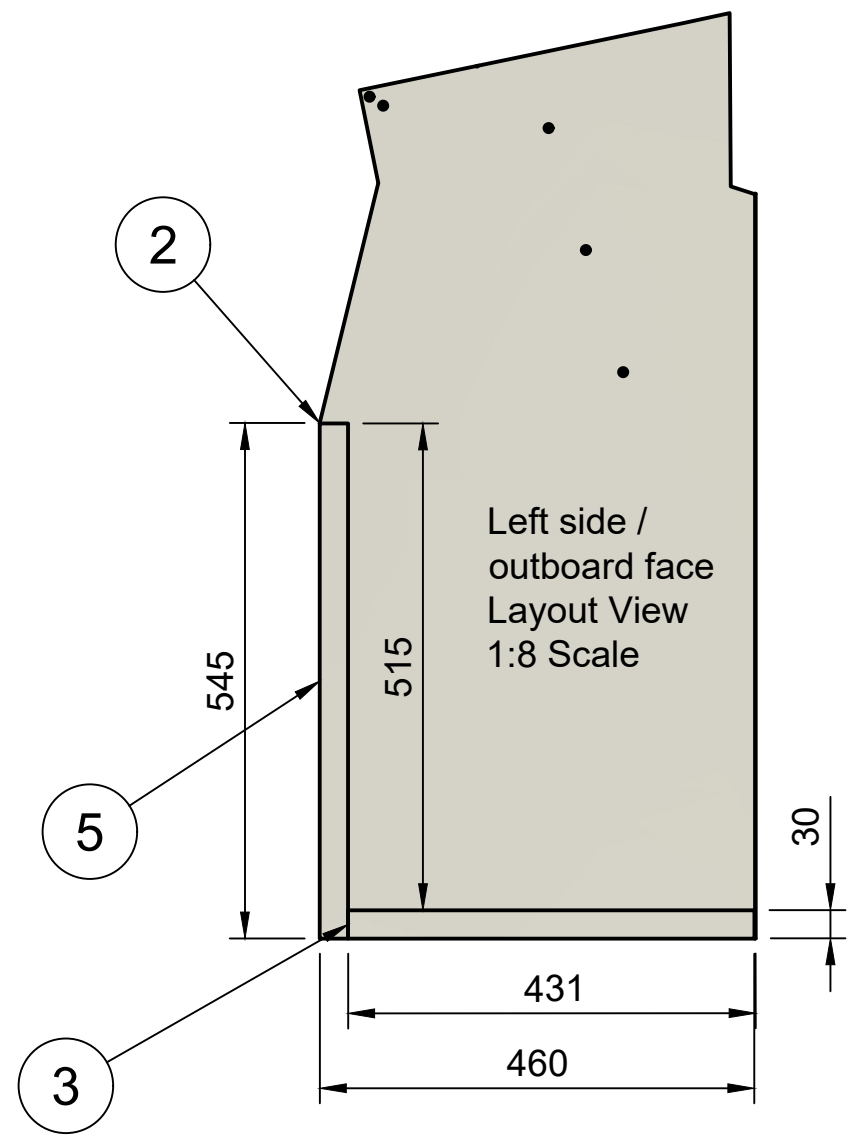
Parts List				
Item	Qty	Part Number	Part Name	Material
2	2	12mm MDF	MIP SIDE	MDF Medium Density Fiberboard
3	2	30mm x 30mm Pine	Lower Support	Pine
5	2	30mm x 30mm Pine	Backboard Support	Pine



Countersink these holes on the outside face

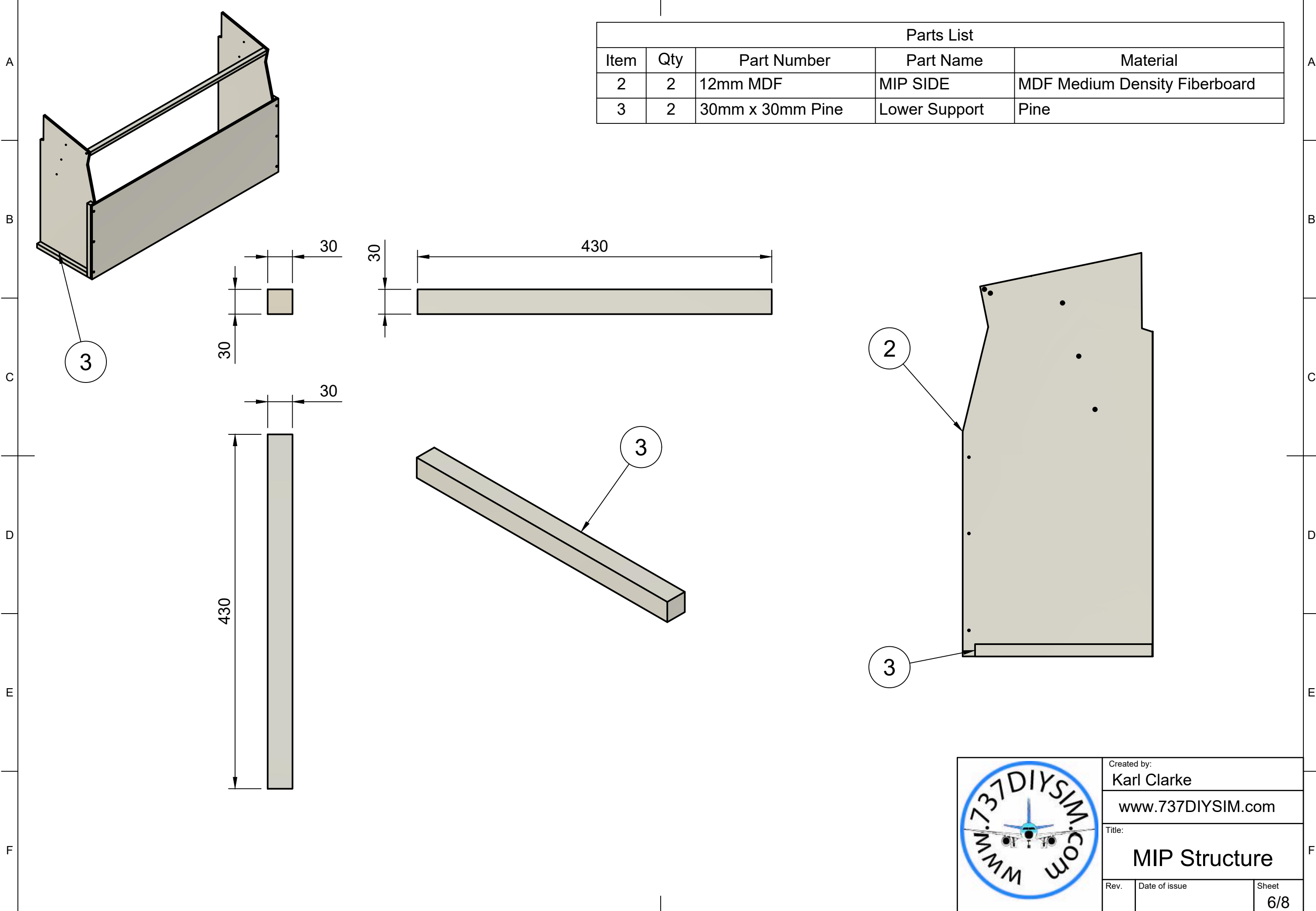


Countersink these holes on the inboard face

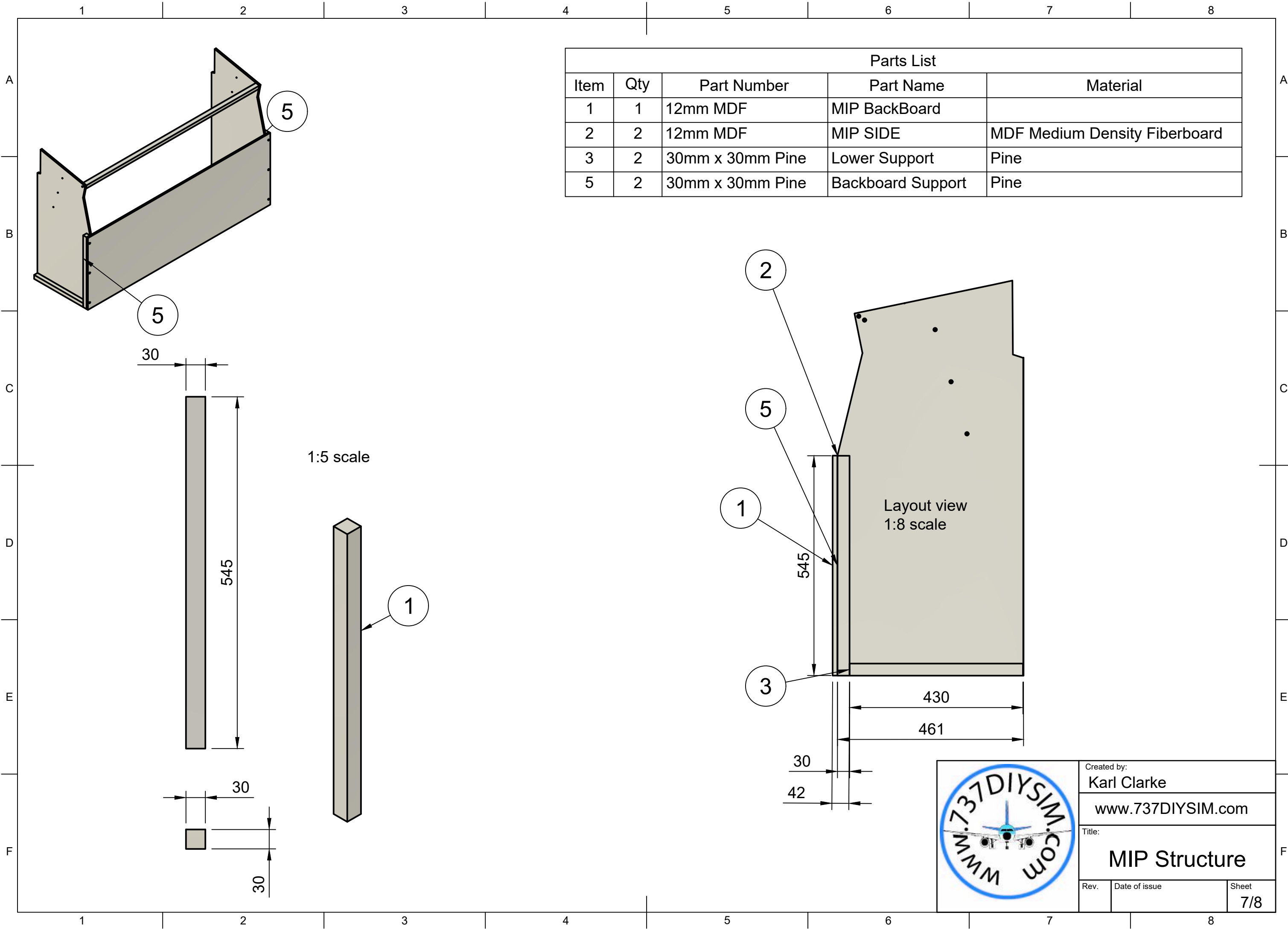


Created by: Karl Clarke		
www.737DIYSIM.com		
Title: MIP Structure		
Rev.	Date of issue	Sheet 5/8

Parts List				
Item	Qty	Part Number	Part Name	Material
2	2	12mm MDF	MIP SIDE	MDF Medium Density Fiberboard
3	2	30mm x 30mm Pine	Lower Support	Pine



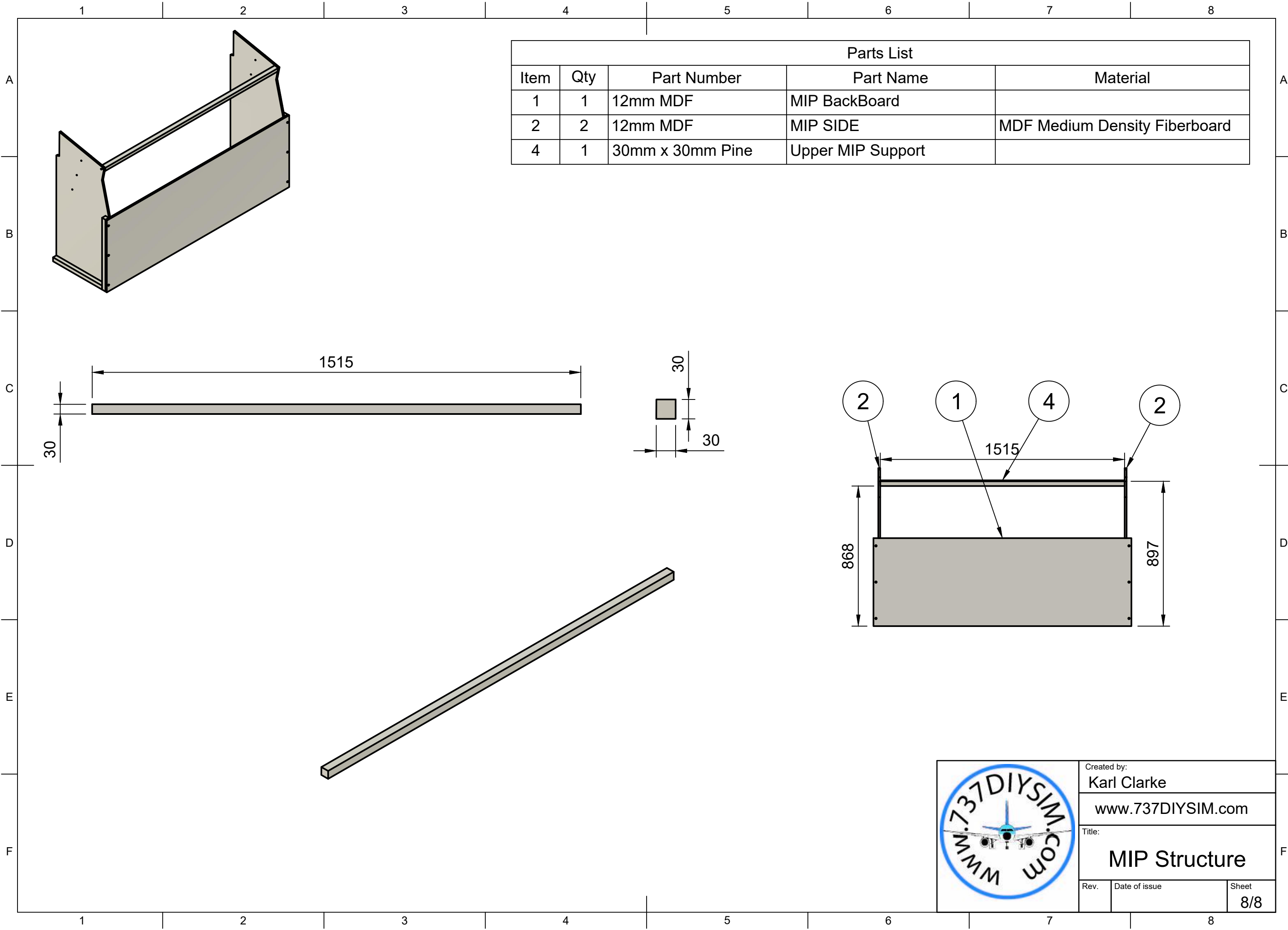
Created by: Karl Clarke		
www.737DIYSIM.com		
Title: MIP Structure		
Rev.	Date of issue	Sheet 6/8



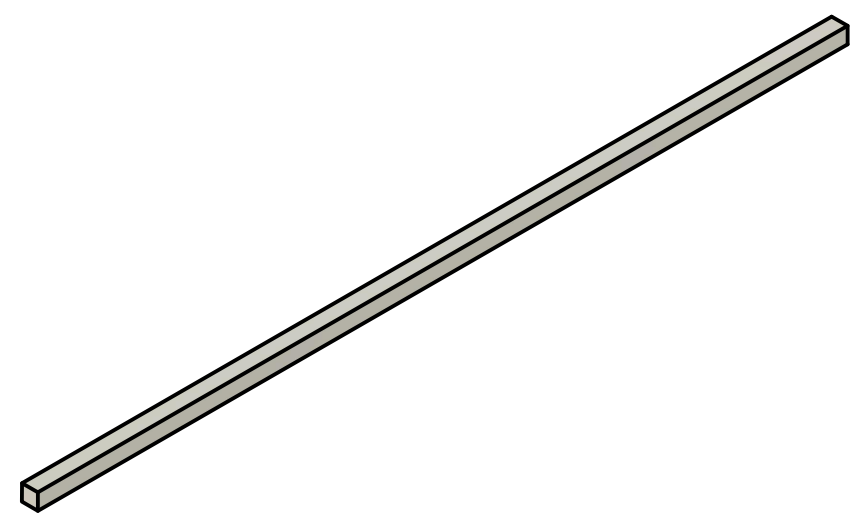
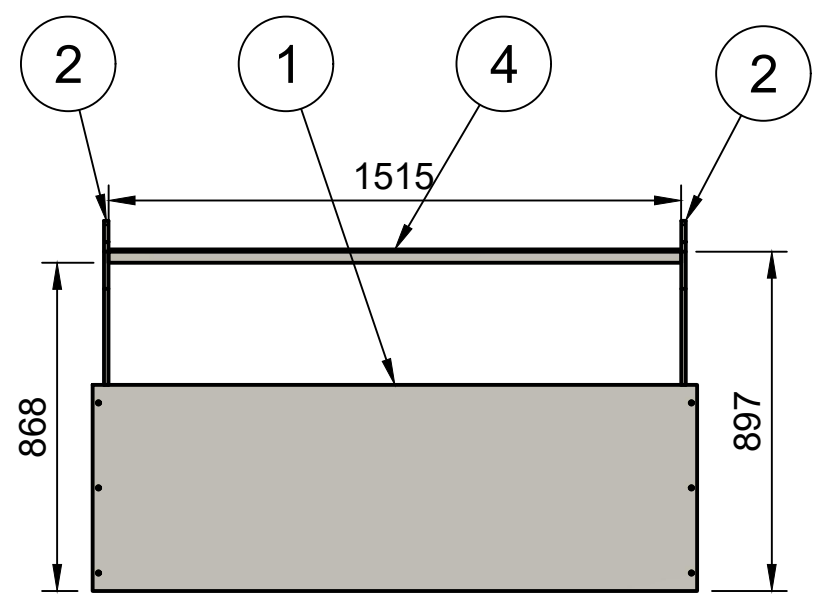
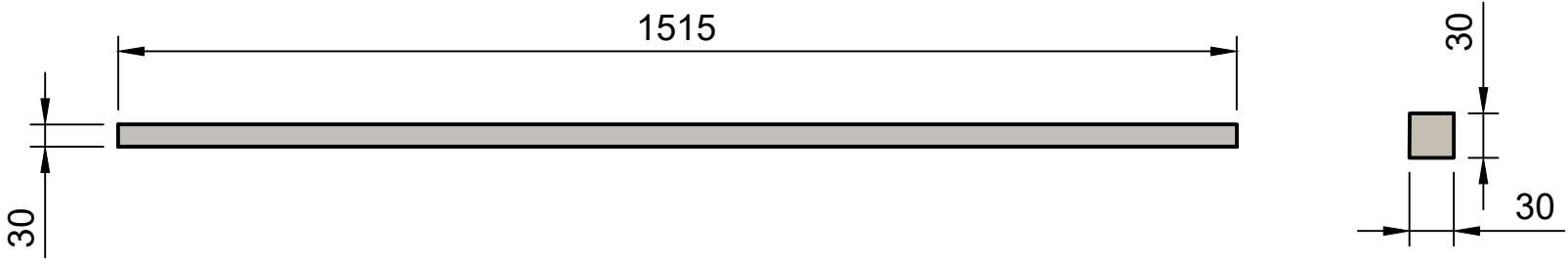
Parts List				
Item	Qty	Part Number	Part Name	Material
1	1	12mm MDF	MIP BackBoard	
2	2	12mm MDF	MIP SIDE	MDF Medium Density Fiberboard
3	2	30mm x 30mm Pine	Lower Support	Pine
5	2	30mm x 30mm Pine	Backboard Support	Pine




Created by: Karl Clarke		
www.737DIYSIM.com		
Title: MIP Structure		
Rev.	Date of issue	Sheet 7/8



Parts List				
Item	Qty	Part Number	Part Name	Material
1	1	12mm MDF	MIP BackBoard	
2	2	12mm MDF	MIP SIDE	MDF Medium Density Fiberboard
4	1	30mm x 30mm Pine	Upper MIP Support	





Created by:		
Karl Clarke		
www.737DIYSIM.com		
Title:		
MIP Structure		
Rev.	Date of issue	Sheet
		8/8