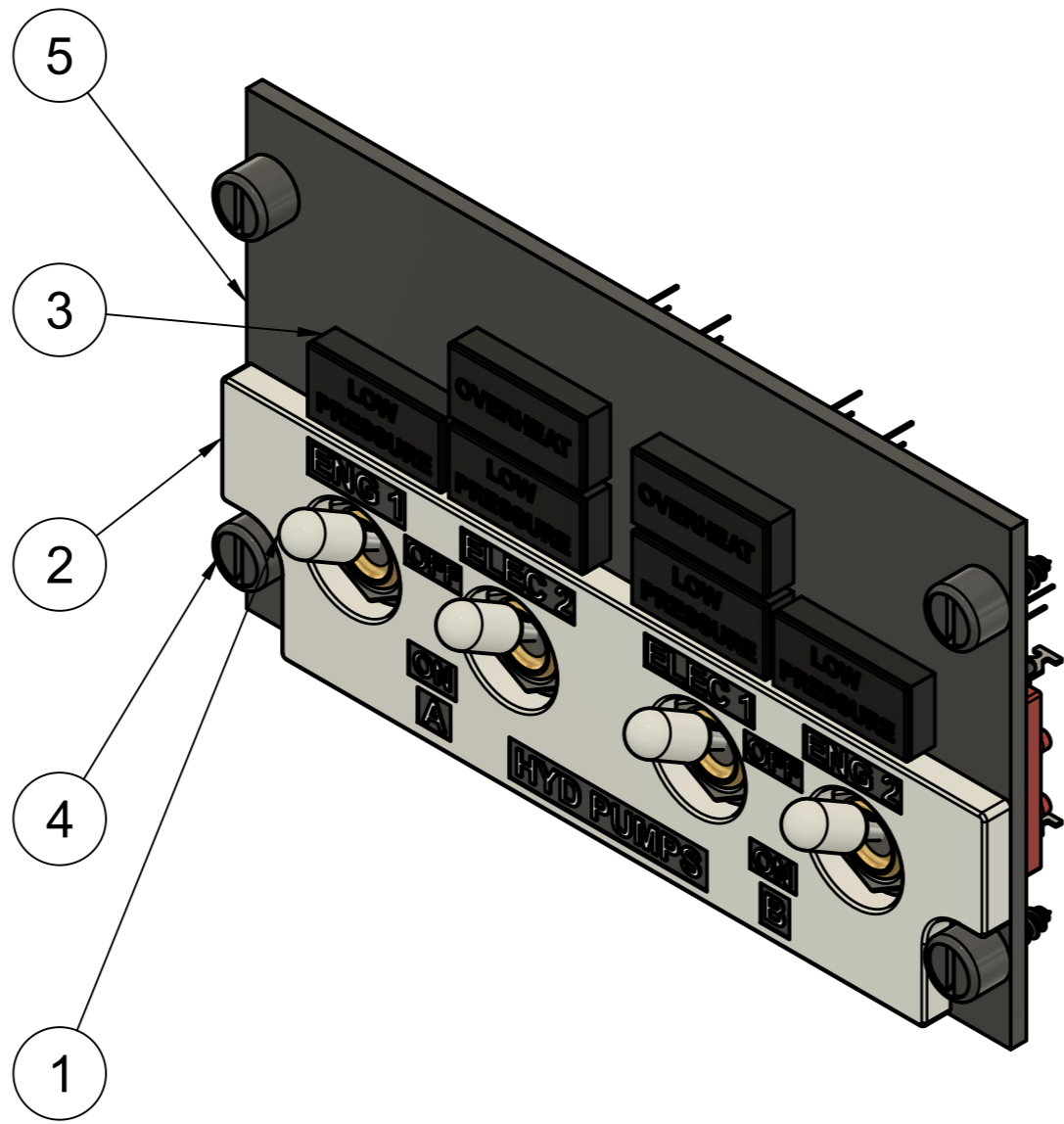
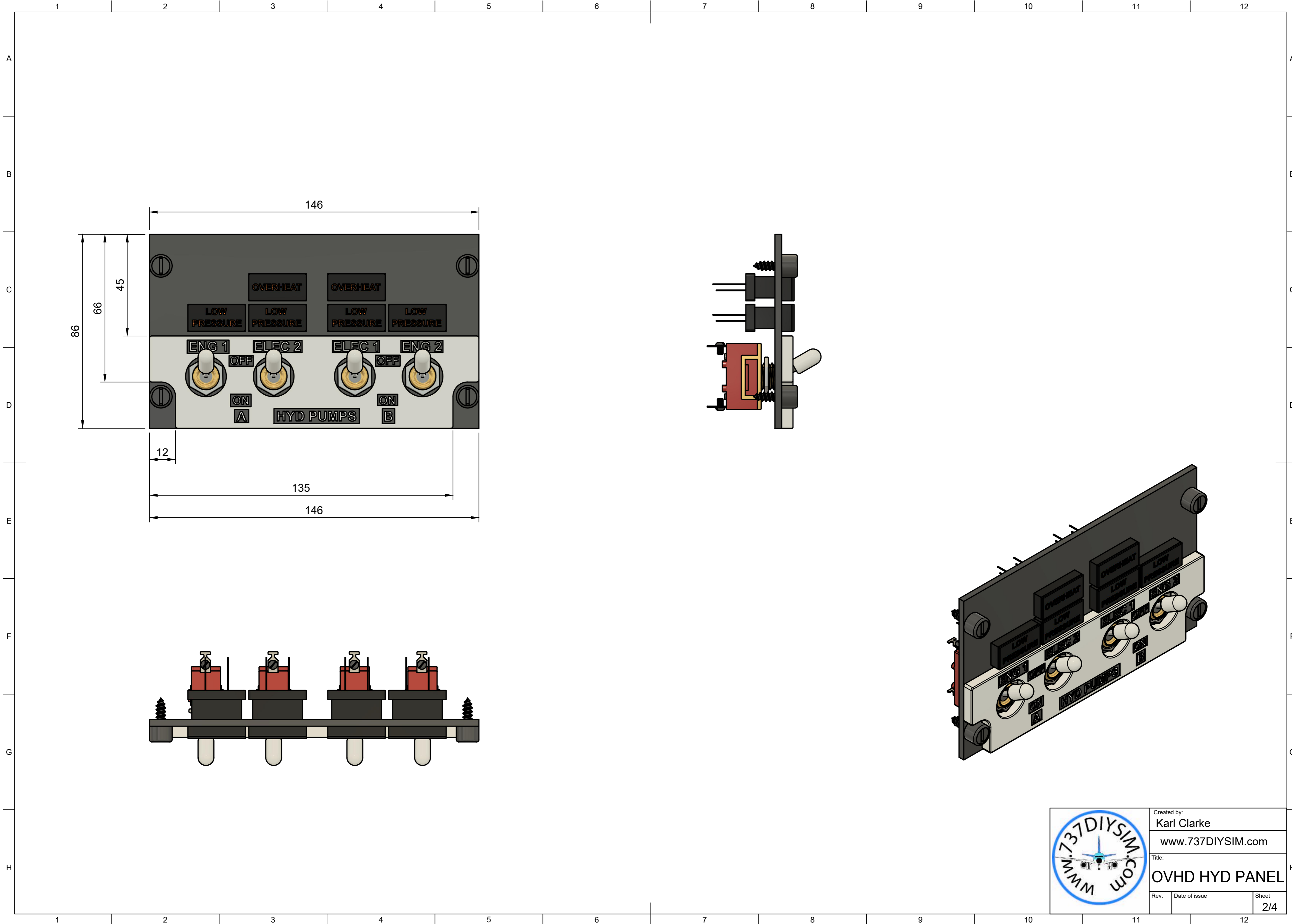


Parts List		
Item	Qty	Part Number
1	4	TOGGLE SW WTE CAP
2	1	FACEPLATE
3	6	ANNUNCIATOR BOX AMBER
4	4	DZUS FASTENER PLASTIC
5	1	BACKPLATE

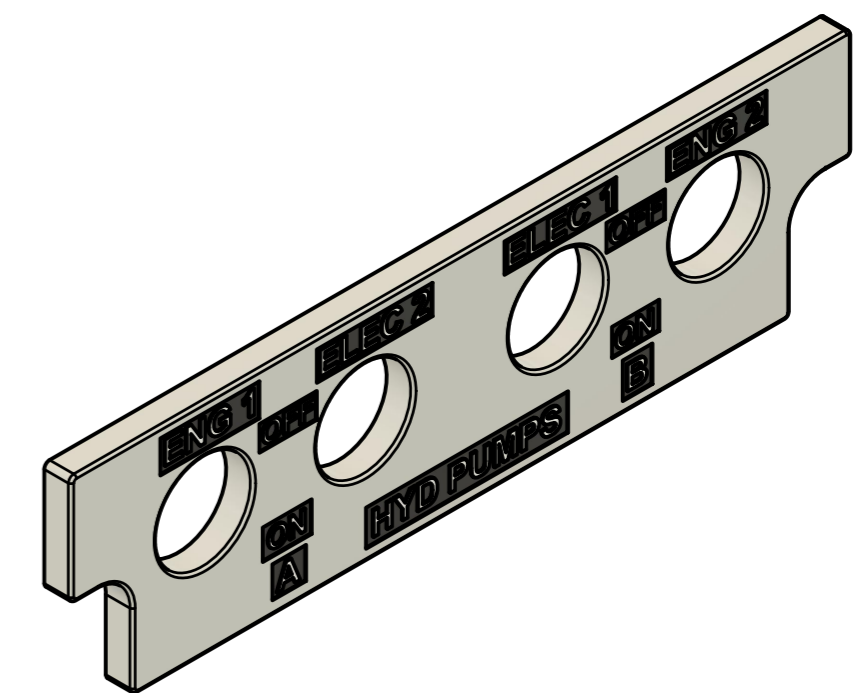
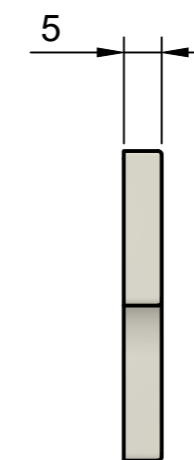
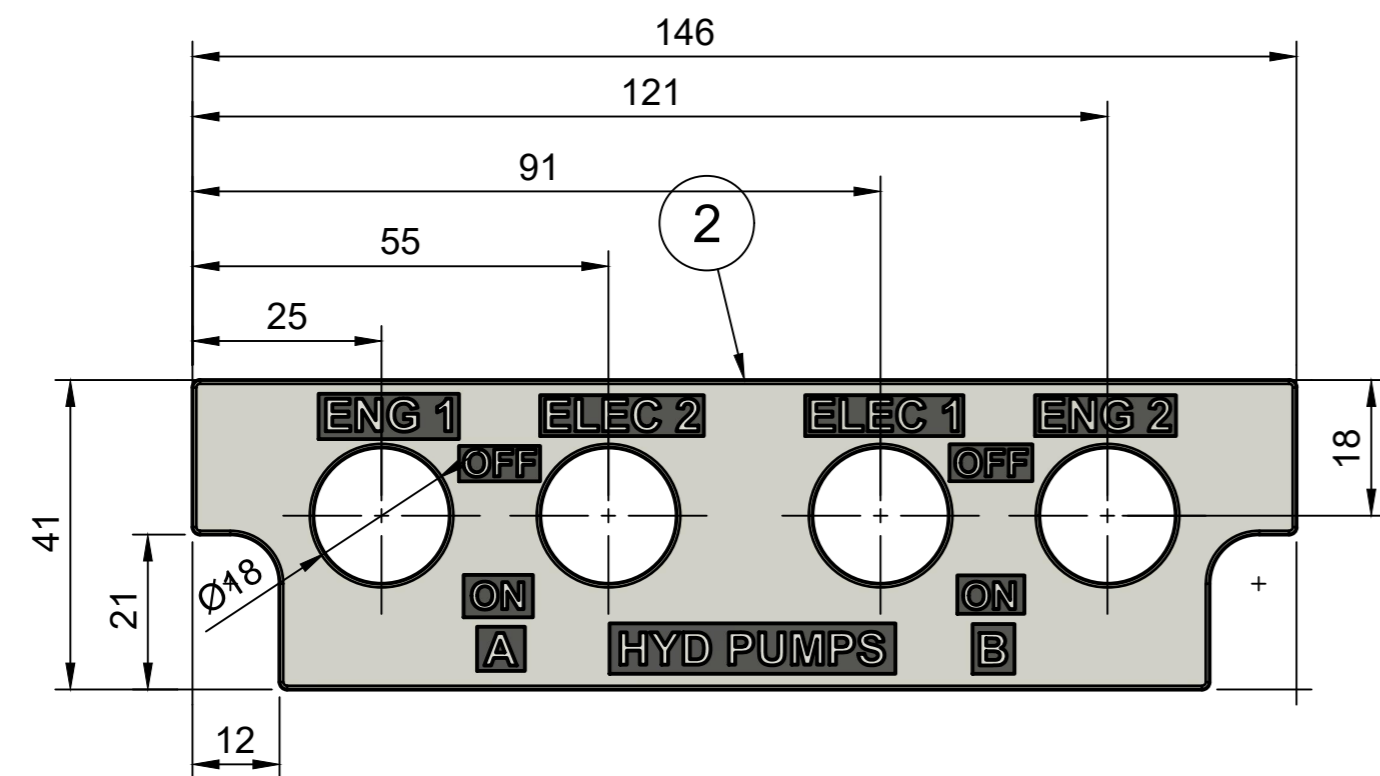


Created by: Karl Clarke		
www.737DIYSIM.com		
Title: OVHD HYD PANEL		
Rev.	Date of issue	Sheet 1/4



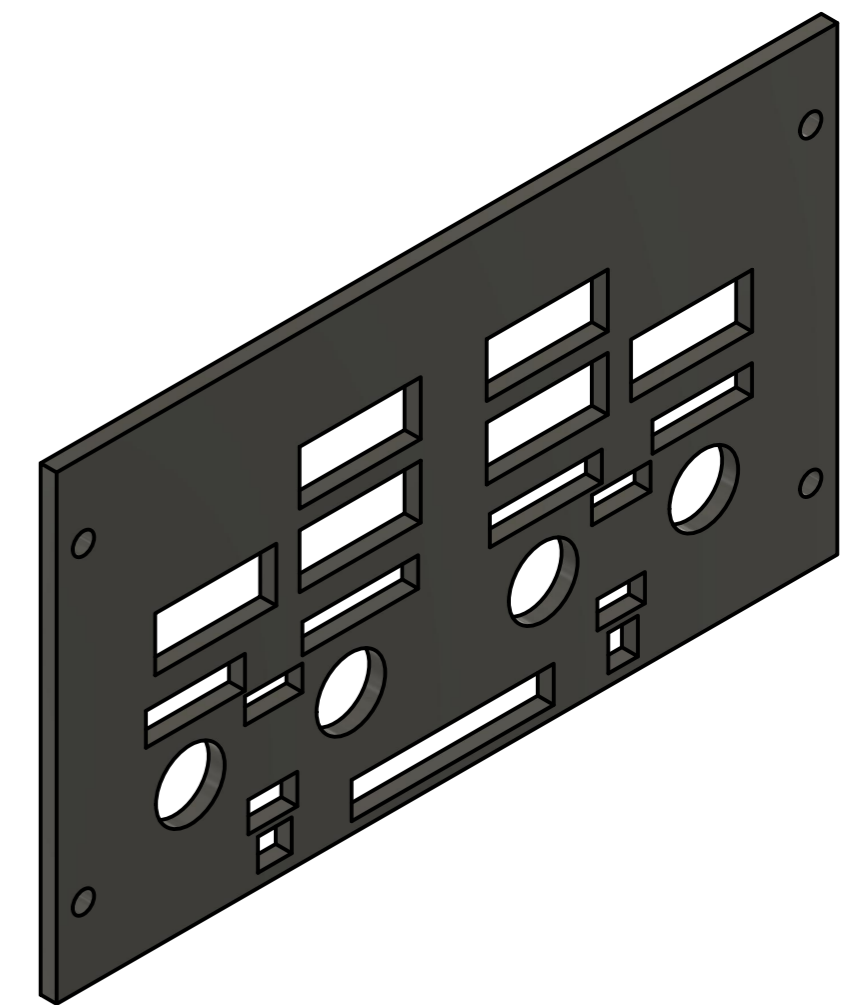
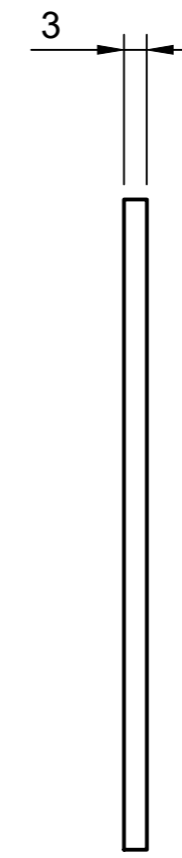
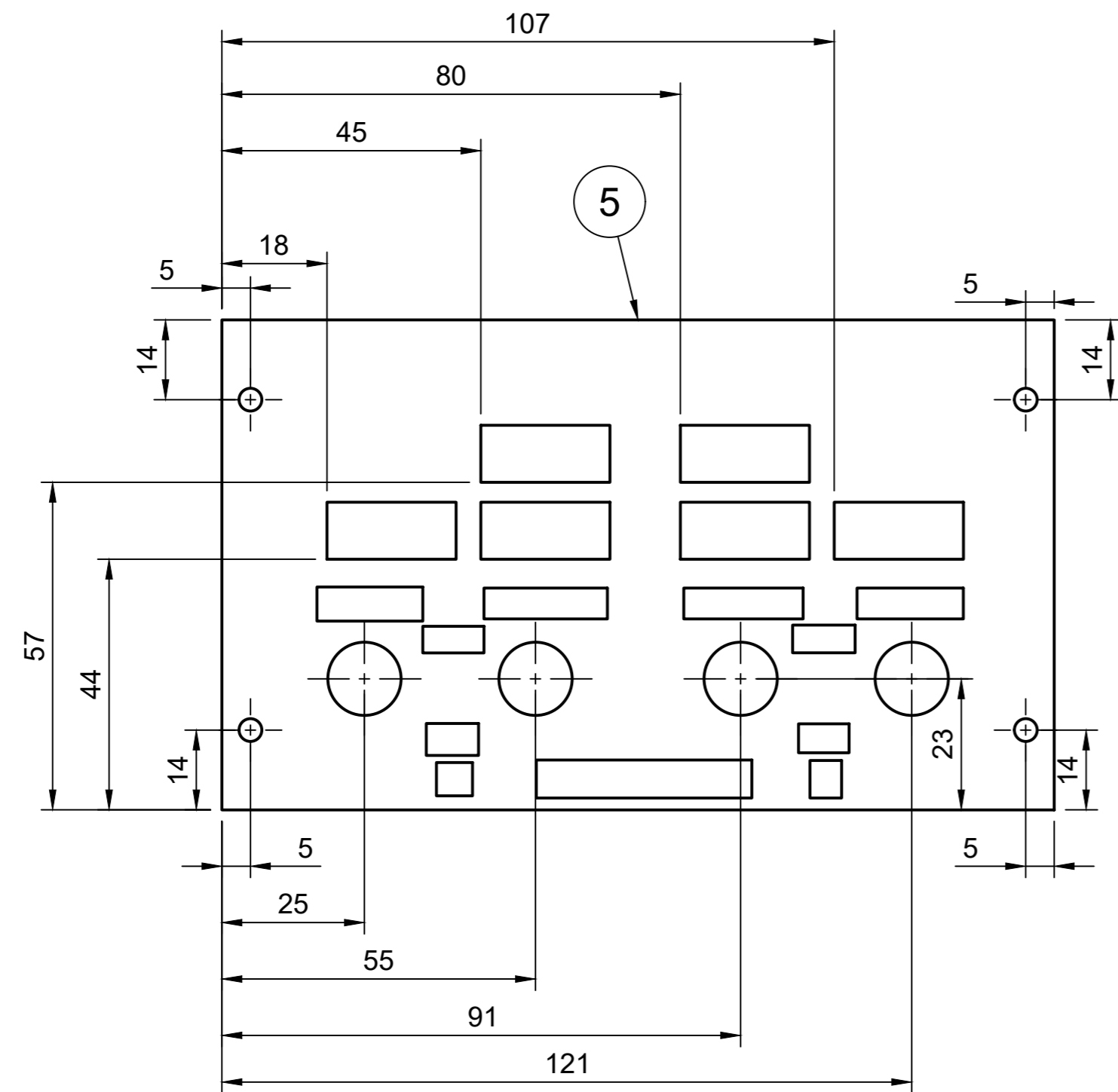
	Created by:	Karl Clarke	
		www.737DIYSIM.com	
	Title:	OVHD HYD PANEL	
	Rev.	Date of issue	Sheet

Parts List		
Item	Qty	Part Number
2	1	FACEPLATE



Created by: Karl Clarke		
www.737DIYSIM.com		
Title: OVHD HYD PANEL		
Rev.	Date of issue	Sheet 3/4

Parts List		
Item	Qty	Part Number
5	1	BACKPLATE



	Created by:	
	Karl Clarke	
	www.737DIYSIM.com	
	Title:	
OVHD HYD PANEL		
Rev.	Date of issue	Sheet
		4/4