

Parts List		
Item	Qty	Part Number
1	1	Map Light Panel RH
2	1	Map Light Panel LH
3	5	Map Light Panel Knob v1
4	1	Map Light Panel RH (1)
5	1	Map Light Panel LH (1)
6	1	Map Light Panel Knob v1 (1)

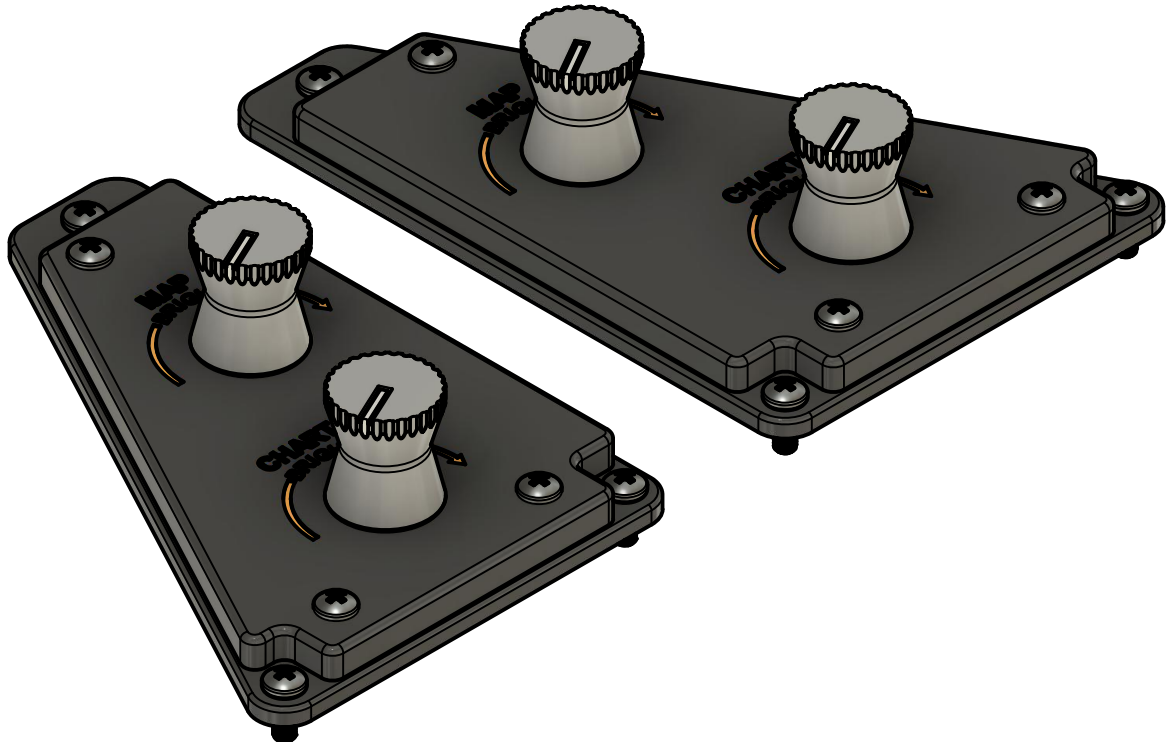
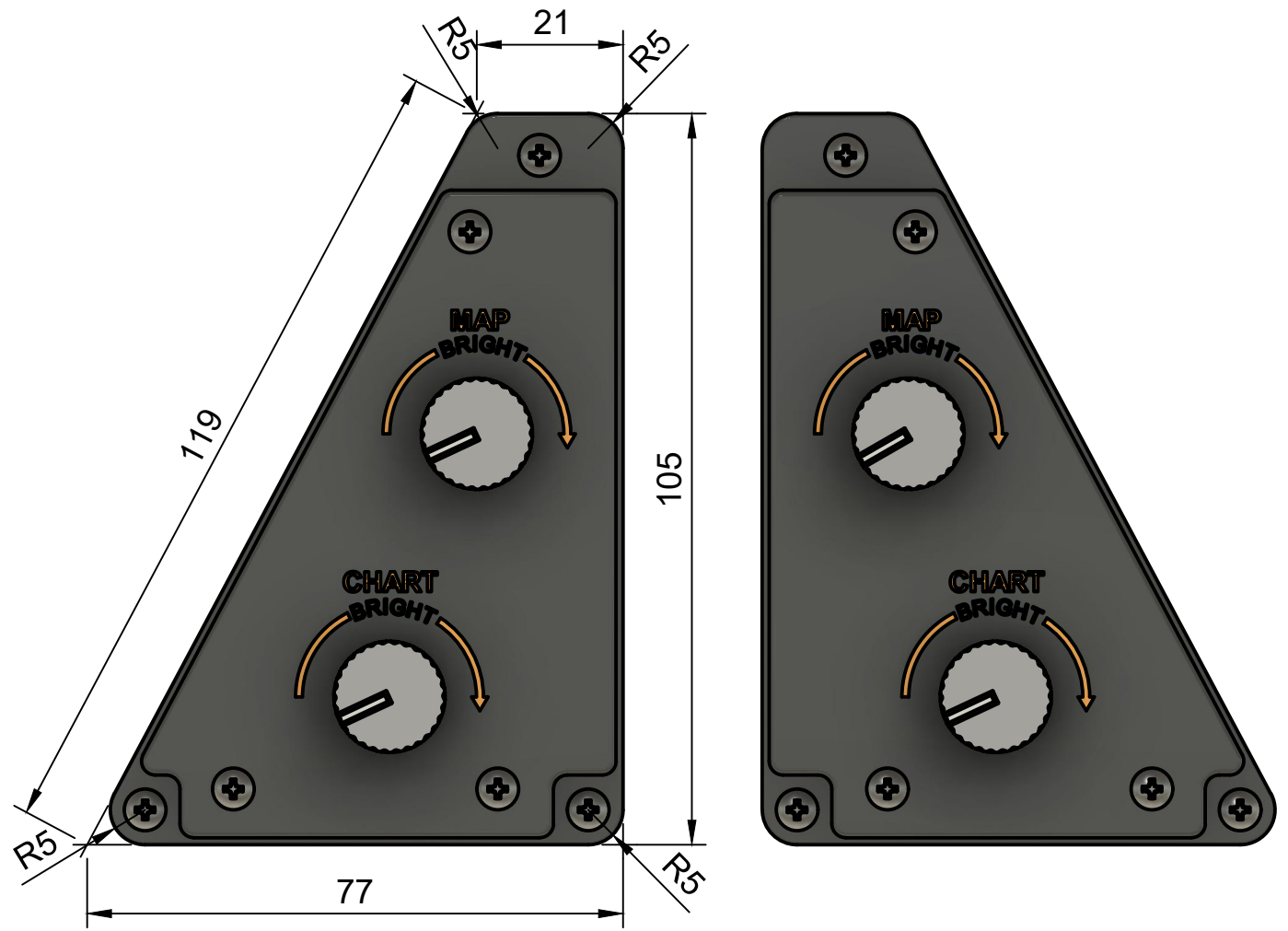
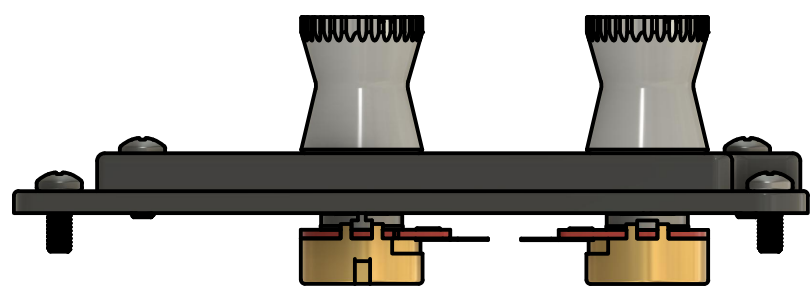
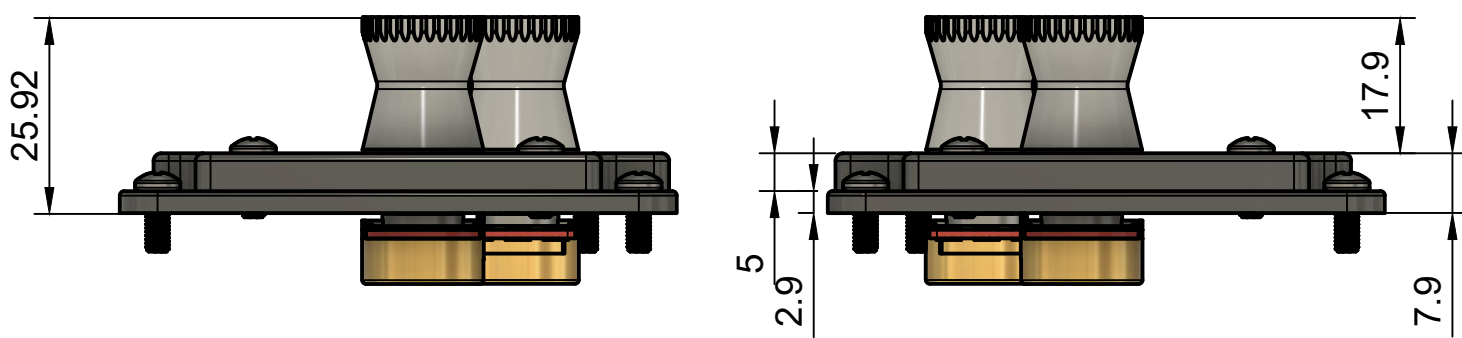


Created by: Karl Clarke		
www.737DIYSIM.com		
Title: Map Light Panel		
Rev.	Date of issue	Sheet 1/2

1 2 3 4 5 6 7 8

A
B
C
D
E
F

A
B
C
D
E
F



Created by: Karl Clarke		
www.737DIYSIM.com		
Title: Map Light Panel		
Rev.	Date of issue	Sheet 2/2

1 2 3 4 5 6 7 8