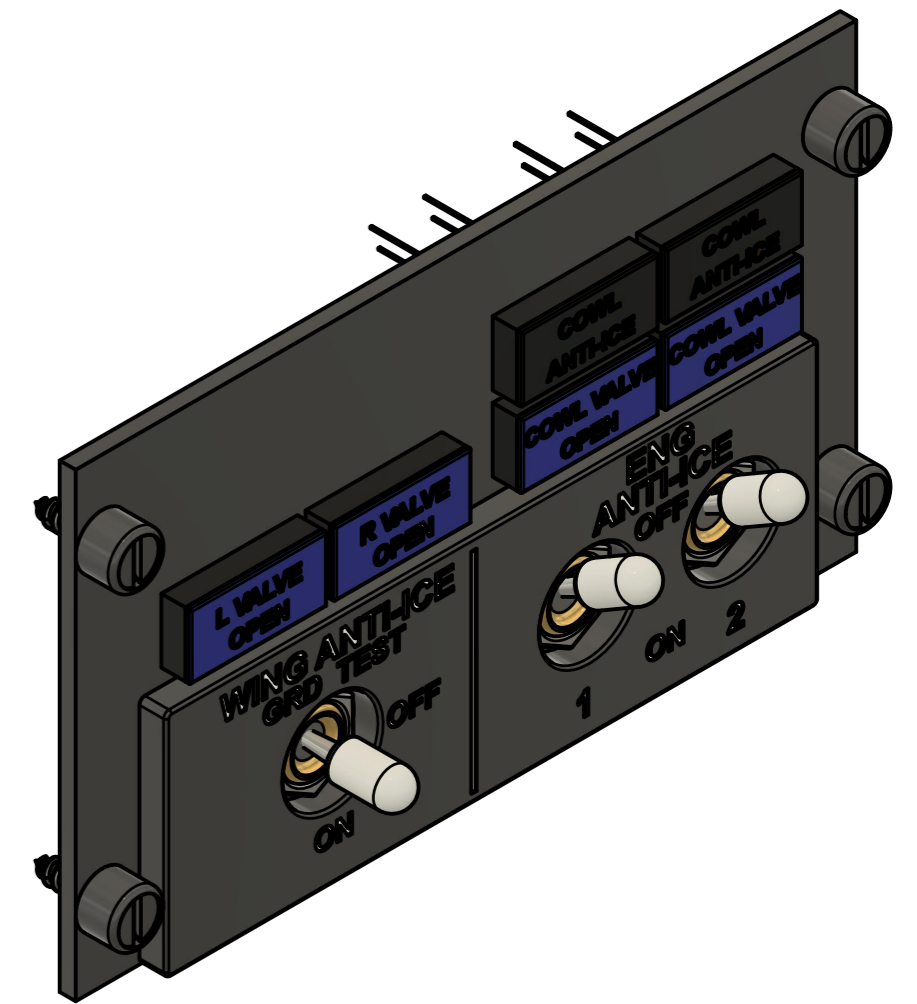
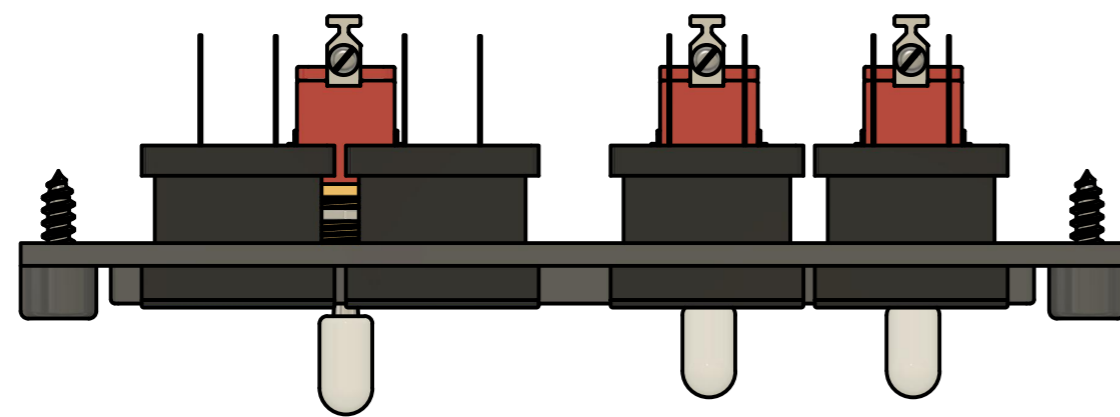
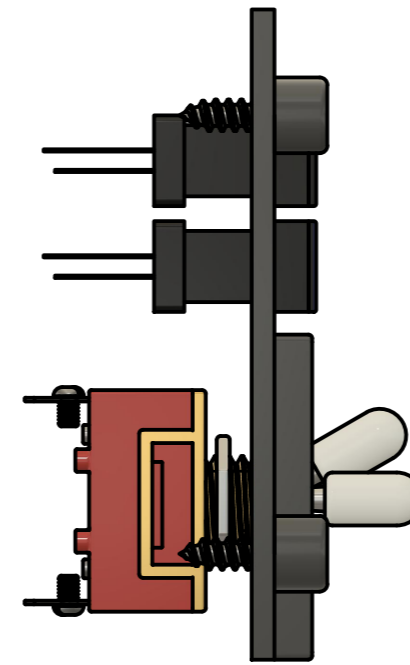
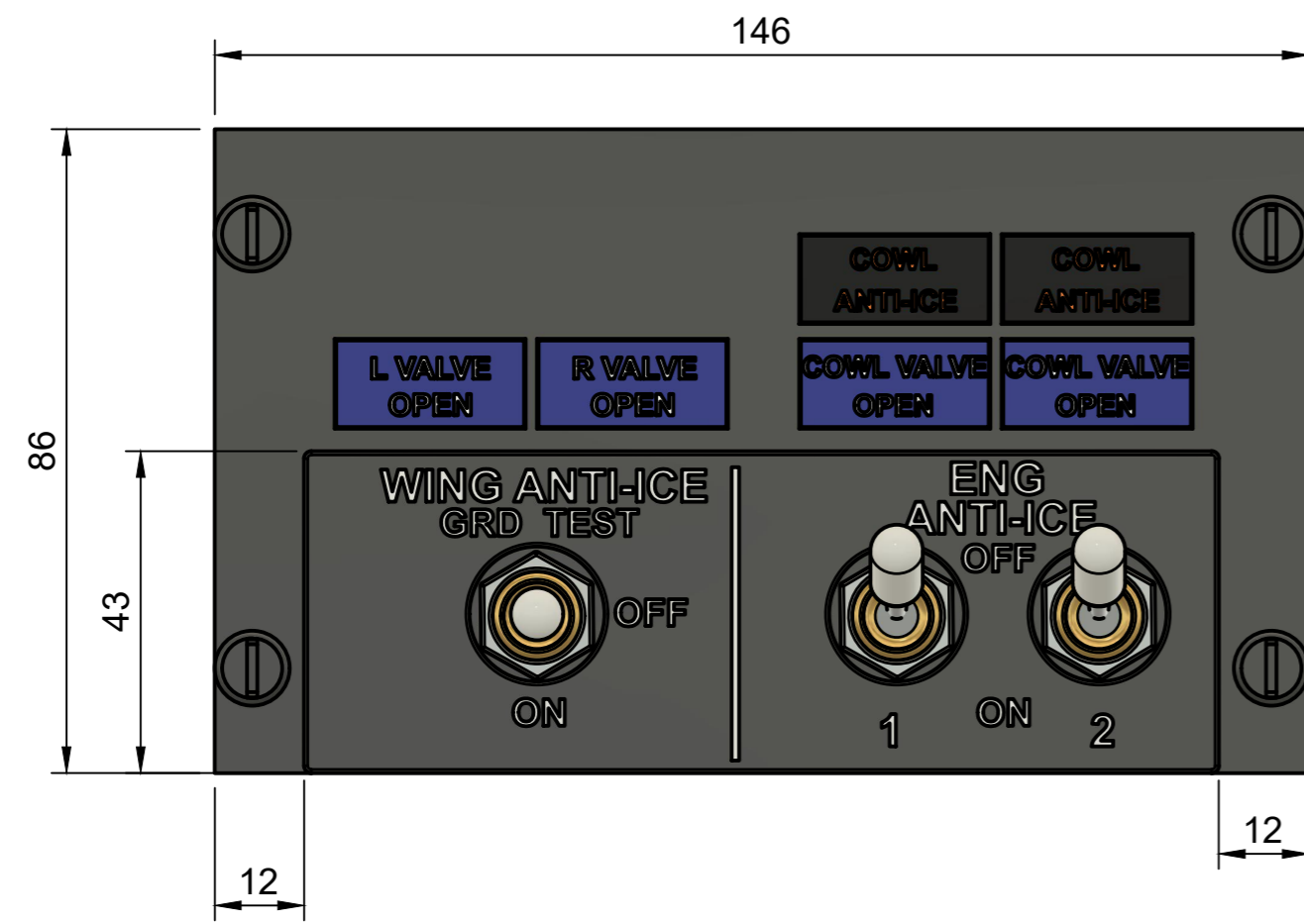


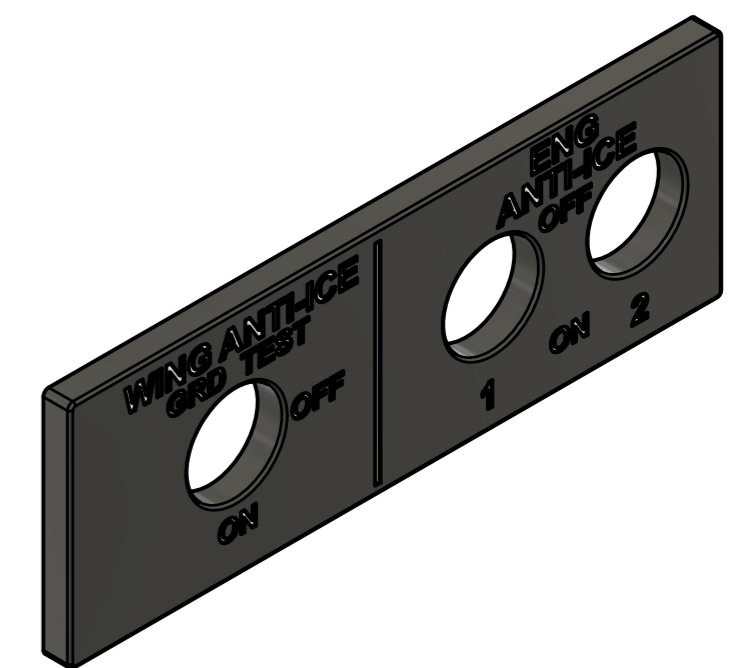
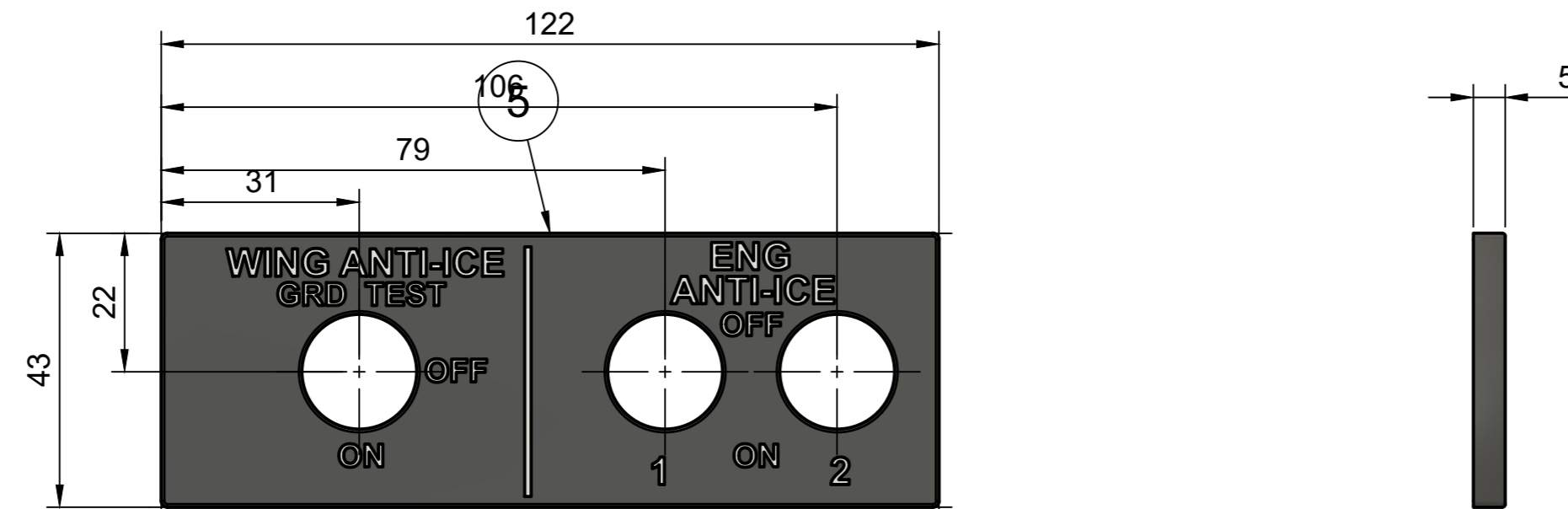
Parts List		
Item	Qty	Part Number
1	2	ANNUNICATOR BOX AMBER
2	4	ANNUNICATOR BOX BLUE
3	4	DZUS FASTENER PLASTIC
4	3	TOGGLE SW WTE CAP
5	1	FACEPLATE
6	1	BACKPLATE
7	1	ANUN LENS (1)
8	1	ANUN LENS (2)
9	1	ANUN LENS (3)
10	1	ANUN LENS
11	1	ANUN LENS (4)
12	1	ANUN LENS (5)

	Created by:	
	Karl Clarke	
	www.737DIYSIM.com	
	Title:	
OHVD WAI PANEL		
Rev.	Date of issue	Sheet
		1/4



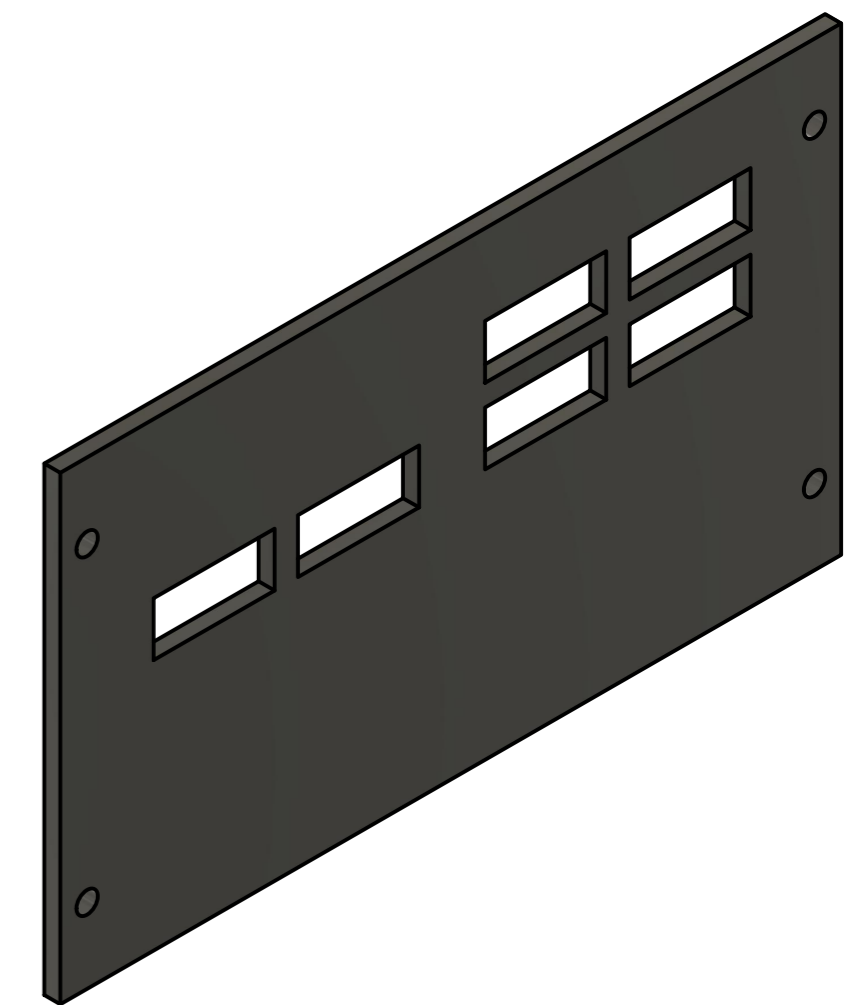
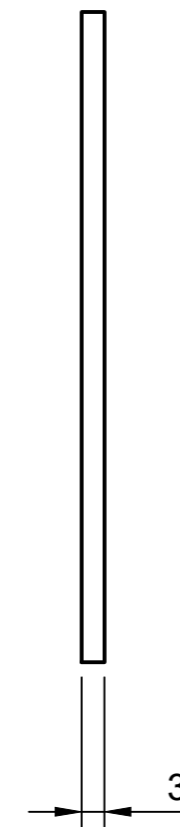
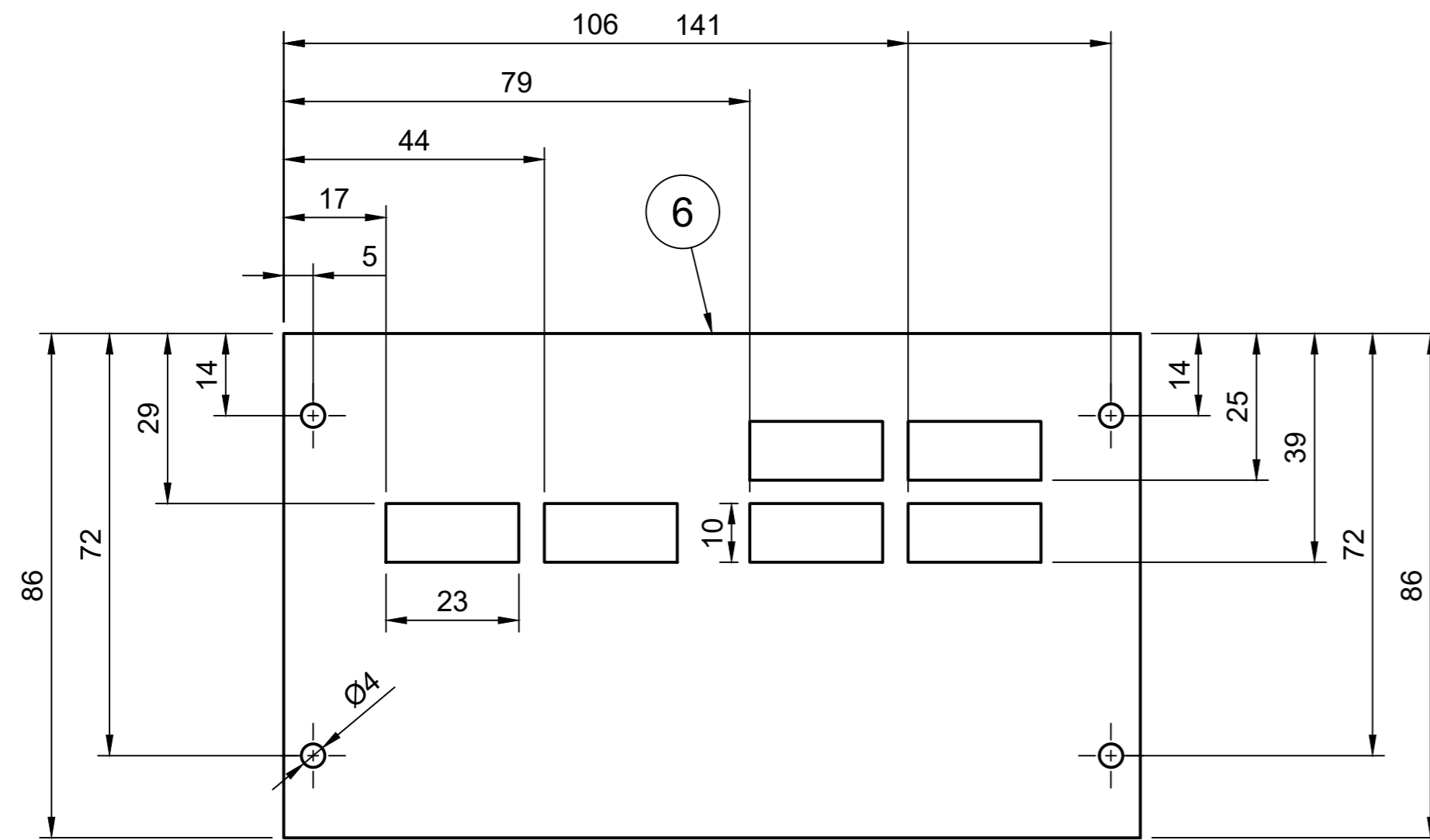
Created by:		
Karl Clarke		
www.737DIYSIM.com		
Title:		
OHVD WAI PANEL		
Rev.	Date of issue	Sheet
		2/4


Parts List		
Item	Qty	Part Number
5	1	FACEPLATE



	Created by:	
	Karl Clarke	
	www.737DIYSIM.com	
	Title:	
OHVD WAI PANEL		
Rev.	Date of issue	Sheet
		3/4

Parts List		
Item	Qty	Part Number
6	1	BACKPLATE



	Created by:		Karl Clarke
			www.737DIYSIM.com
	Title:		OHVD WAI PANEL
	Rev.	Date of issue	Sheet
			4/4