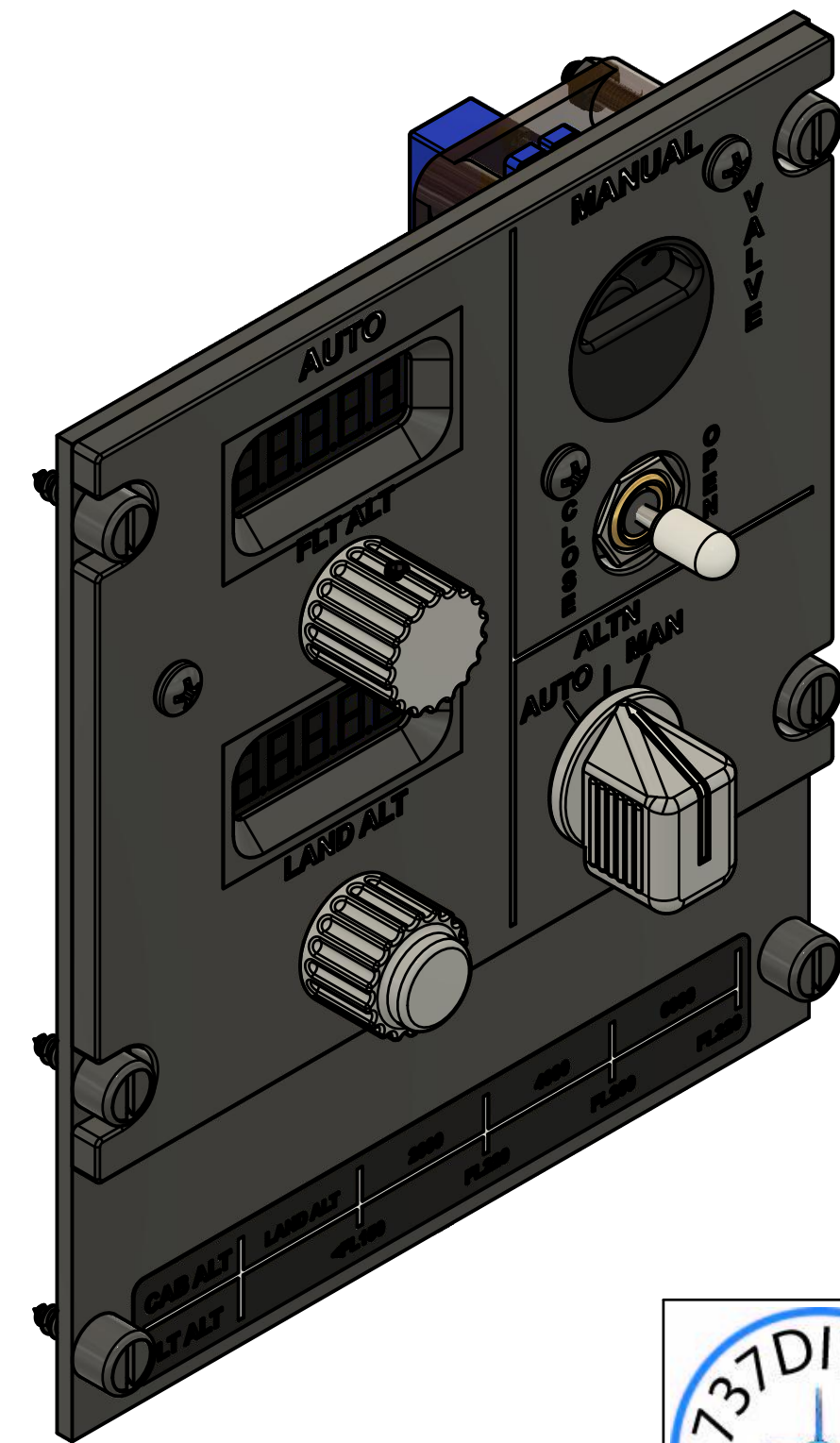
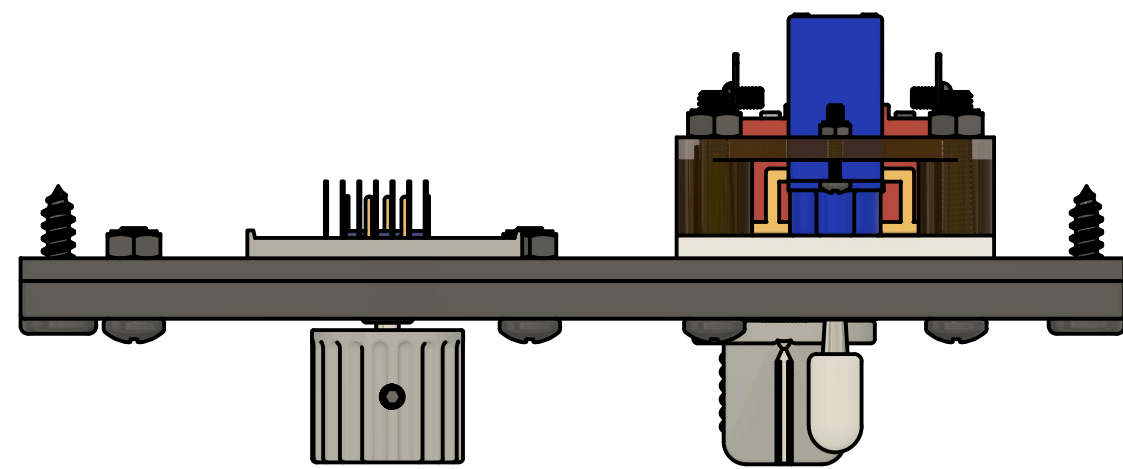
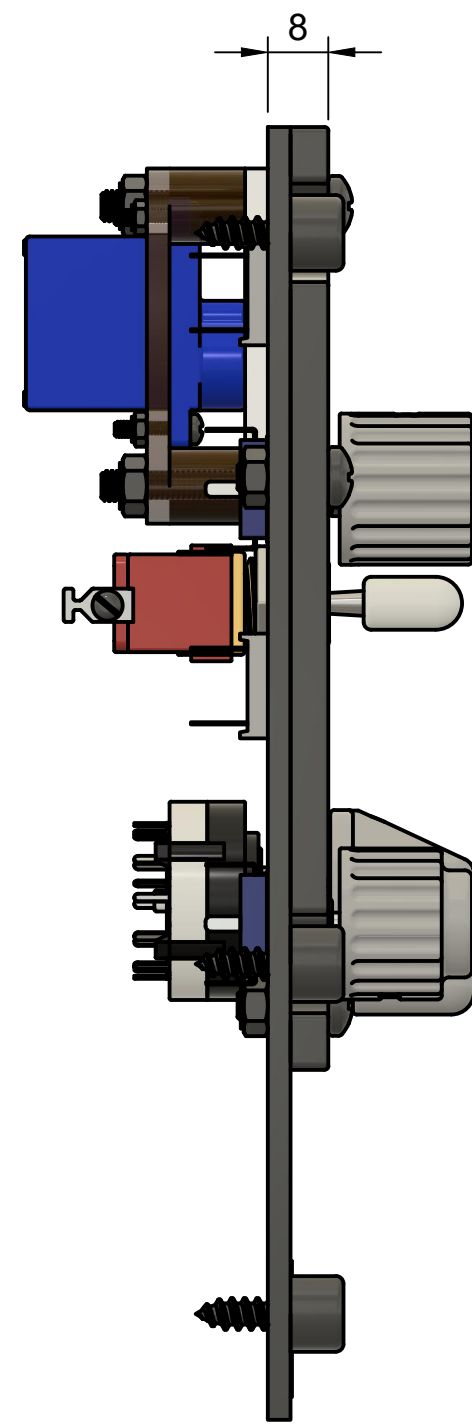
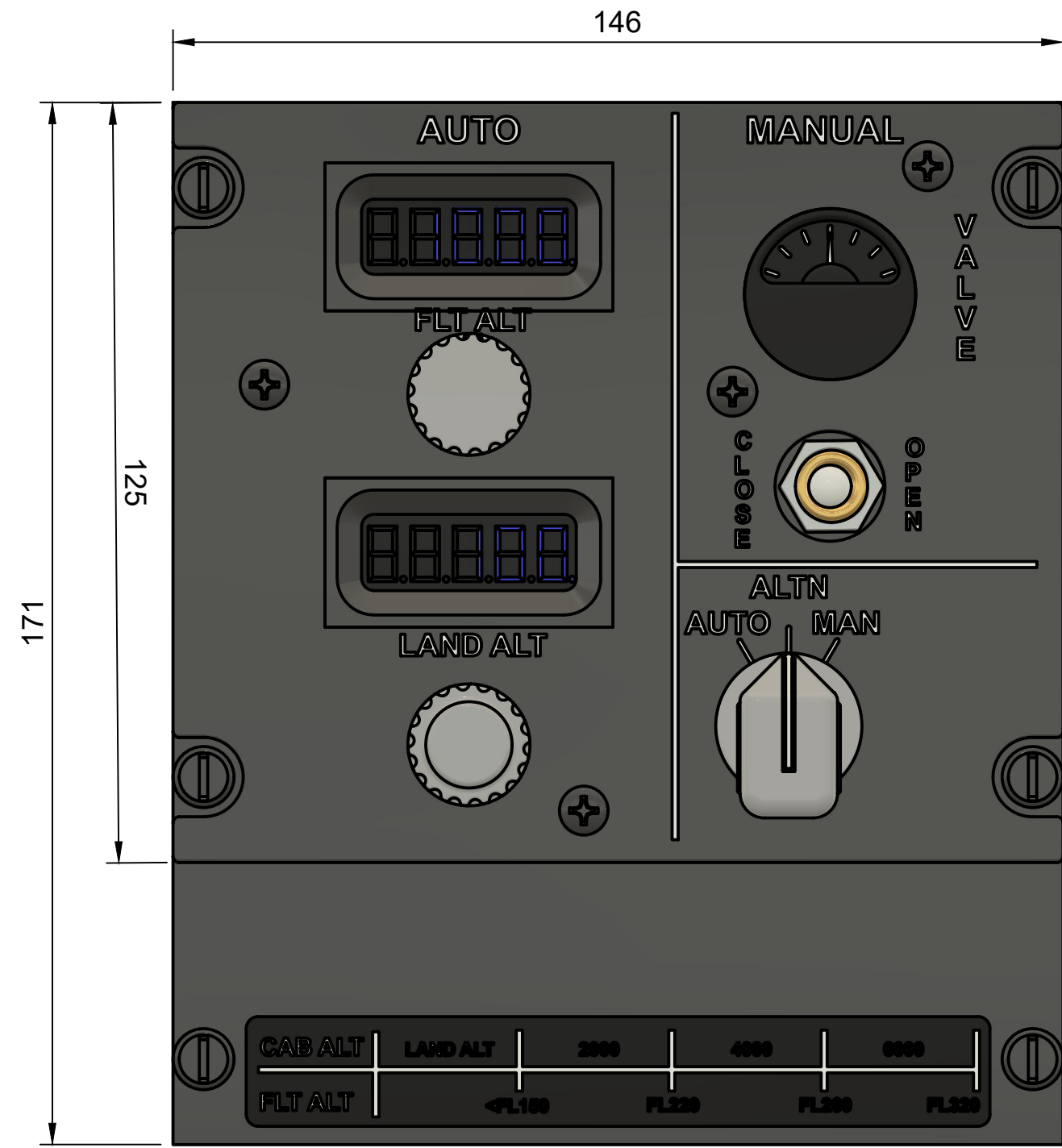


Parts List		
Item	Qty	Part Number
1	1	FACEPLATE
2	1	5 digit blue v1
3	1	5 digit blue v1 (1)
4	2	ENCODER
5	1	FLT alt knob v2
6	1	Land alt knob
7	1	3 POS ROTARY SW NEW
8	1	737 General Knob
9	1	TOGGLE SW WTE CAP
10	1	GAUGE COVER
11	1	Component5
12	1	FR90R Servo
13	1	Component6
14	2	M2 x 10mm
15	2	M2 nut
16	2	M4 NUT v1 (1)
17	2	M4 X 30MM
18	2	M4 X 12MM v1
19	6	DZUS FASTENER PLASTIC
20	1	Component14
21	1	BACKPLATE

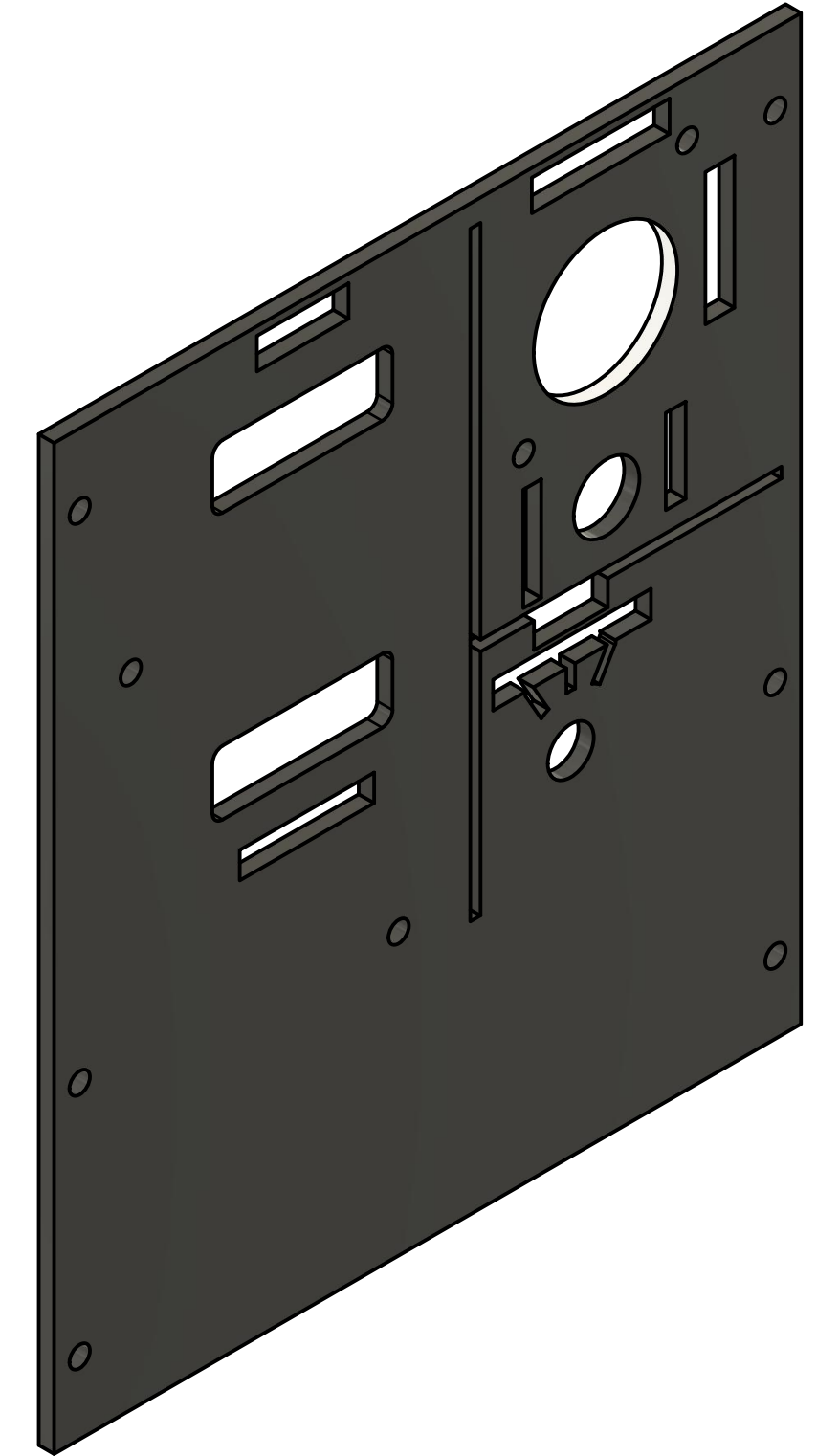
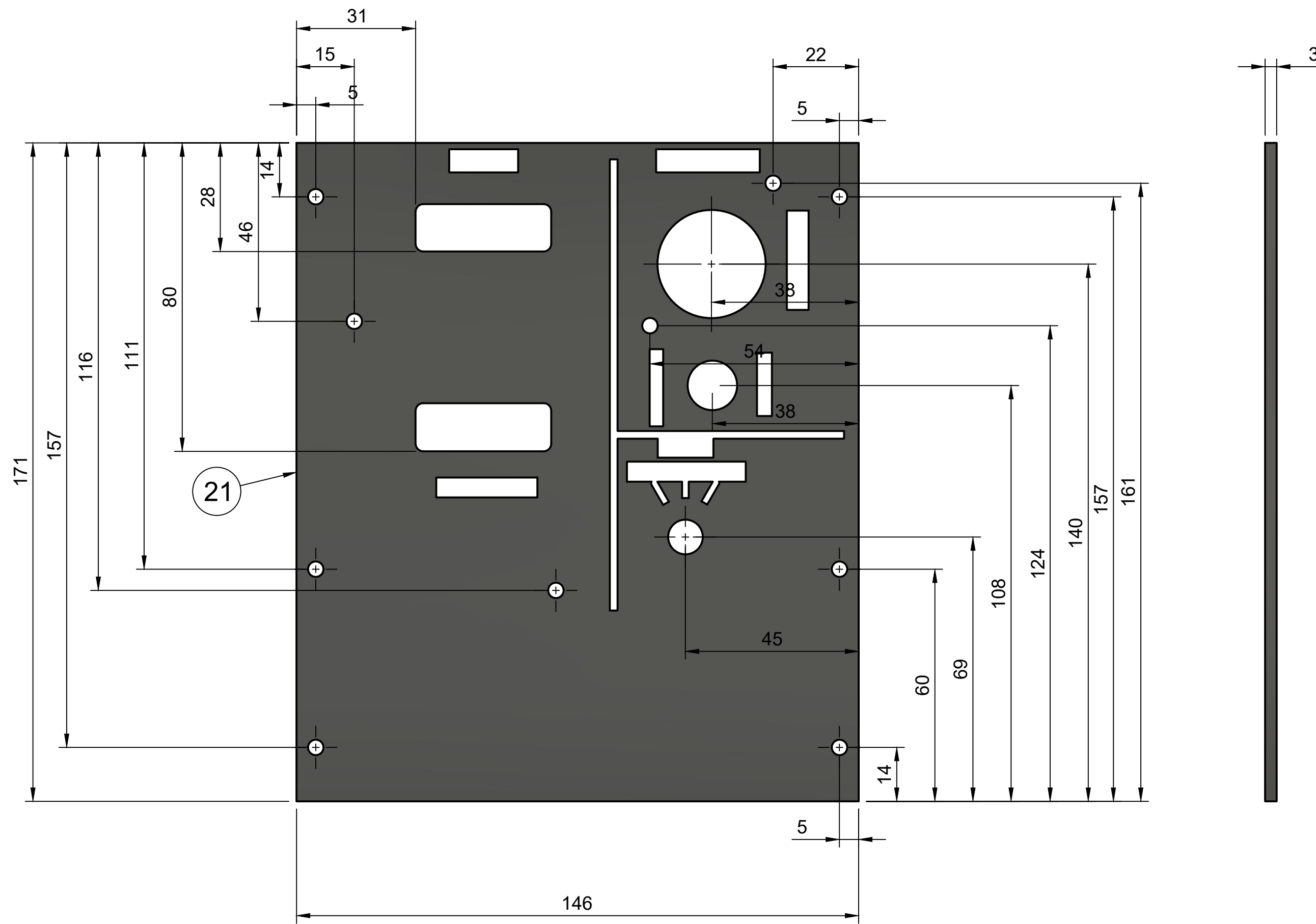


Created by:		
Karl Clarke		
www.737DIYSIM.com		
Title:		
OVHD DCPCS PANEL		
Rev.	Date of issue	Sheet
		1/4



Created by:		
Karl Clarke		
www.737DIYSIM.com		
Title:		
OVHD DCPCS PANEL		
Rev.	Date of issue	Sheet
		2/4

Parts List		
Item	Qty	Part Number
21	1	BACKPLATE



Created by:		
Karl Clarke		
www.737DIYSIM.com		
Title:		
OVHD DCPCS PANEL		
Rev.	Date of issue	Sheet
		4/4