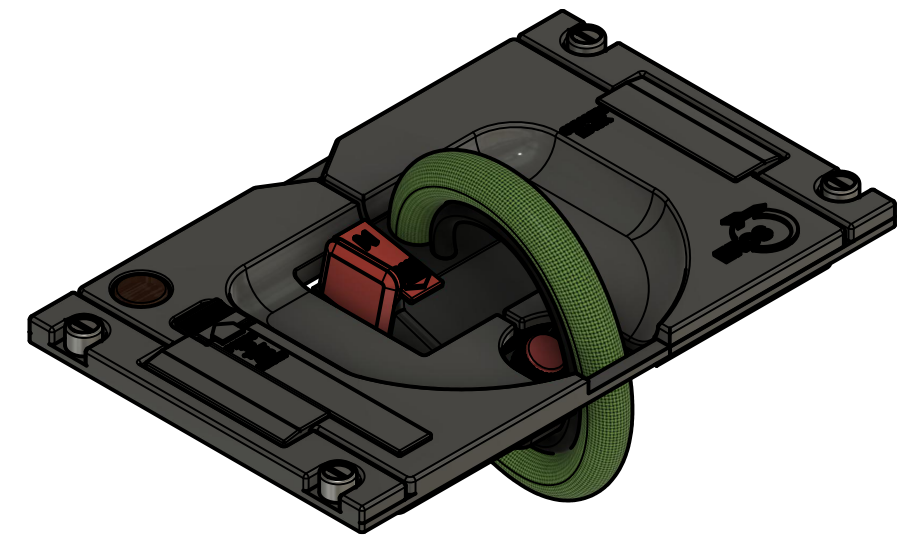
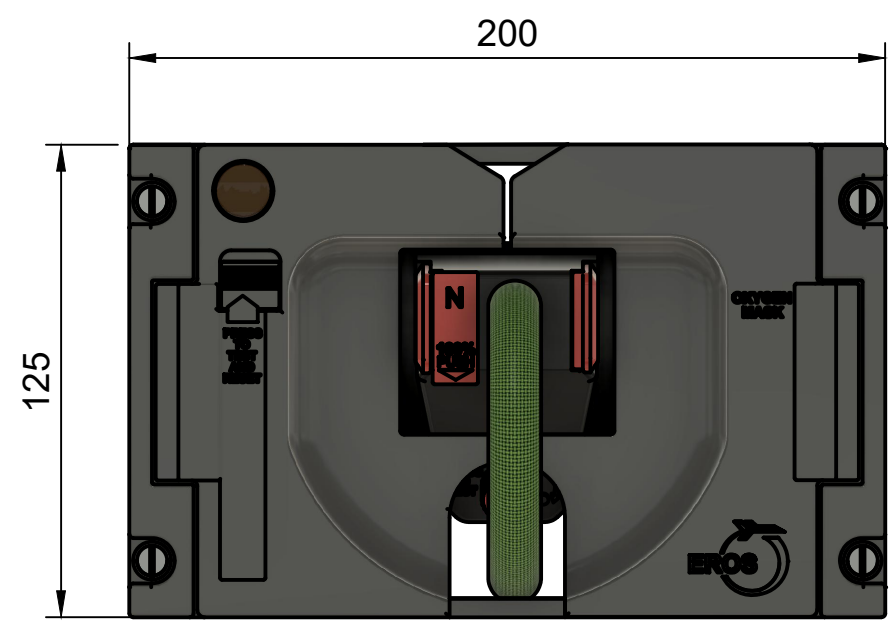
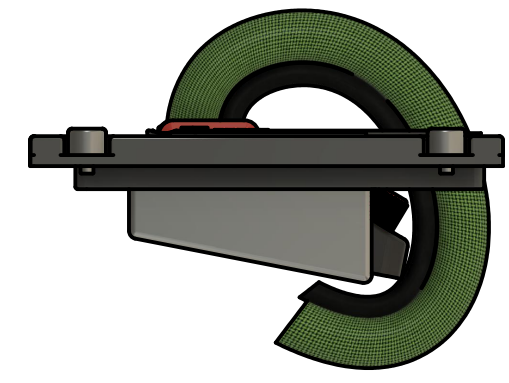
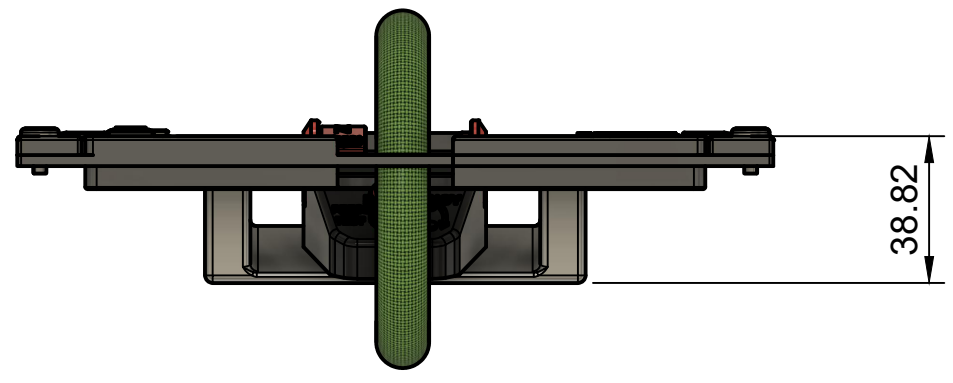
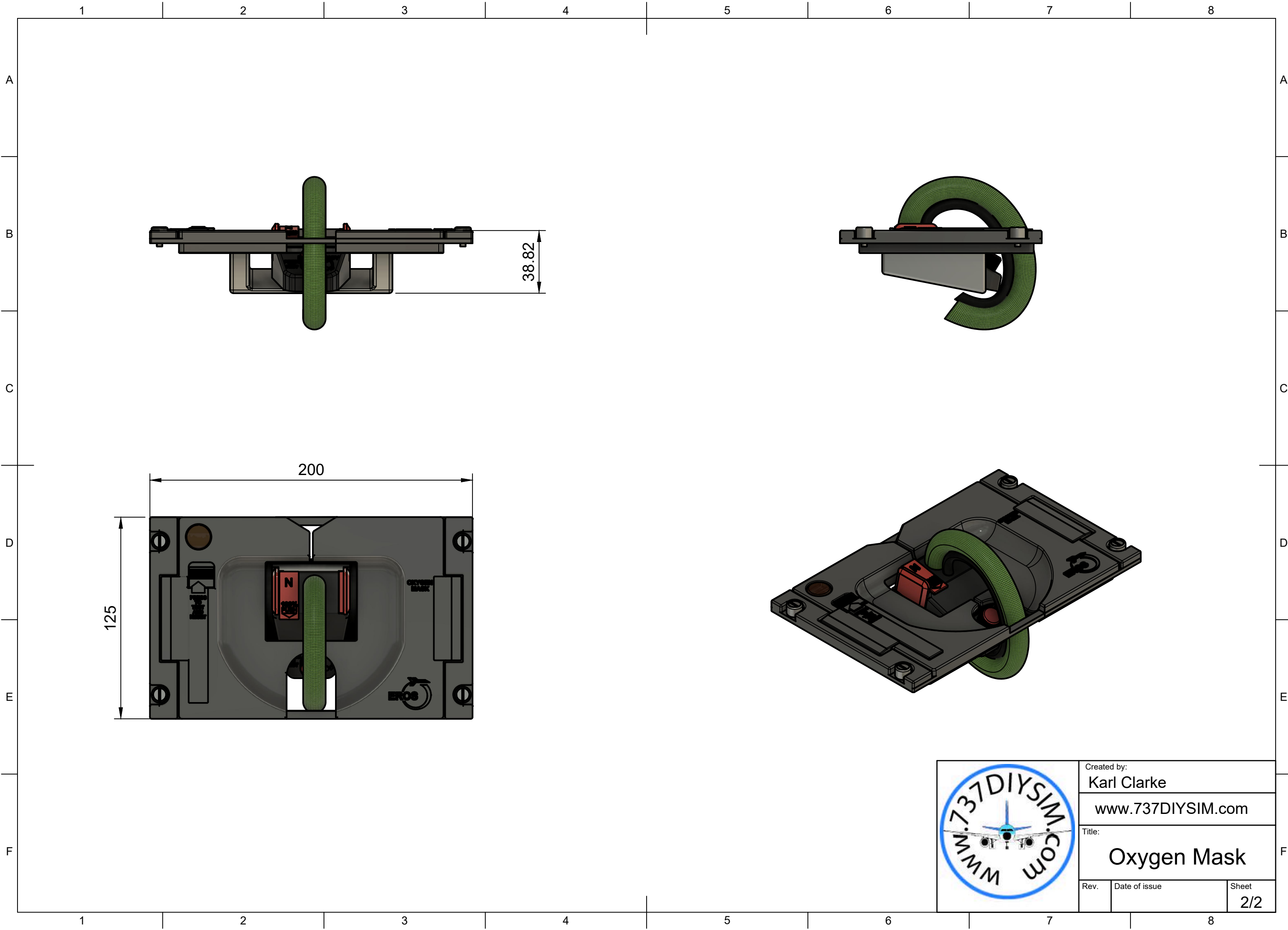


Parts List		
Item	Qty	Part Number
1	1	Dzus (1) (3) (1)(Mirror)(Mirror)
2	1	Dzus (1) (3) (1) (1)(Mirror)(Mirror)
3	1	Dzus (1) (3) (1) (2)(Mirror)(Mirror)
4	1	Dzus (1) (3) (1) (1) (1)(Mirror)(Mirror)
5	1	Oxygen Faceplate(Mirror)(Mirror)
6	1	LENS COVER(Mirror)(Mirror)
7	1	Mask Front(Mirror)(Mirror)
8	1	Mask Plate RH(Mirror)(Mirror)
9	1	Mask Plate LH(Mirror)(Mirror)
10	1	Base(Mirror)(Mirror)
11	1	Supply Tube(Mirror)(Mirror)
12	1	Feed Tube(Mirror)(Mirror)
13	1	Mask Knob(Mirror)(Mirror)

	Created by:	
	Karl Clarke	
	www.737DIYSIM.com	
Title:		
Oxygen Mask		
Rev.	Date of issue	Sheet
		1/2



Created by: Karl Clarke		
www.737DIYSIM.com		
Title: Oxygen Mask		
Rev.	Date of issue	Sheet 2/2