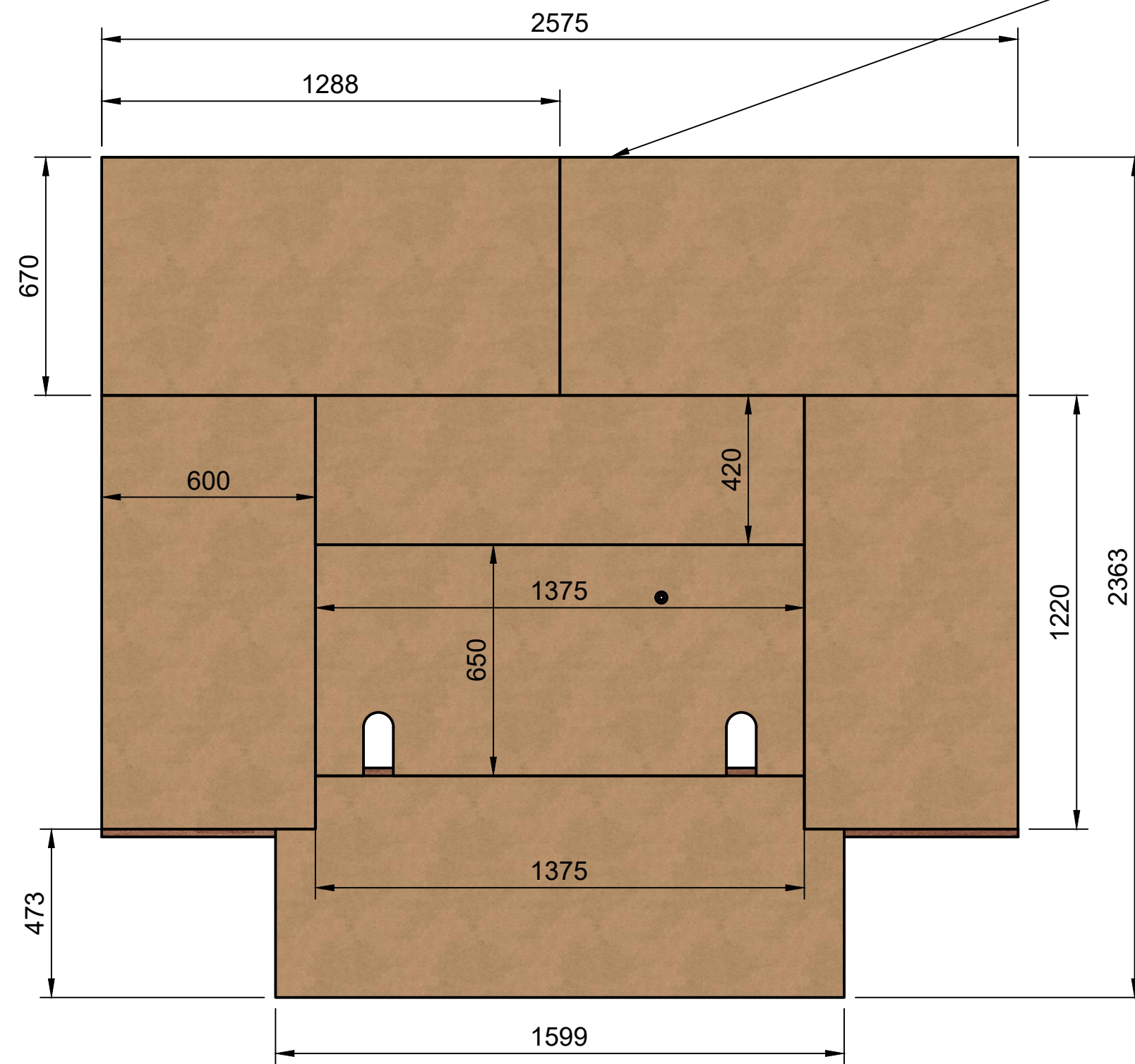


Parts List		
Item	Qty	Part Number
1	2	Sidewall Floor
2	1	FO FLOOR ASSY
3	1	CPT Rear Bulkhead Floor
4	1	MIP Floor
5	1	Pedestal Floor
6	1	Dual Control Floor

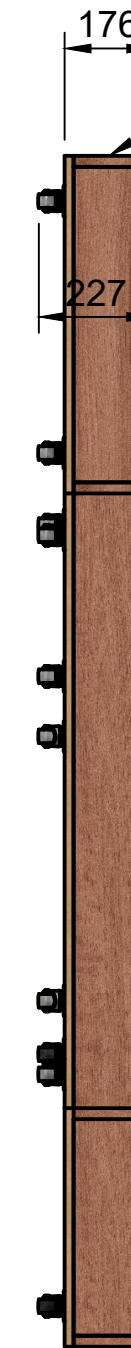
All Dimensions In mm

	Created by:		Karl Clarke
			www.737DIYSIM.com
	Title:		Floor Layout
	Rev.	Date of issue	Sheet
			1/13

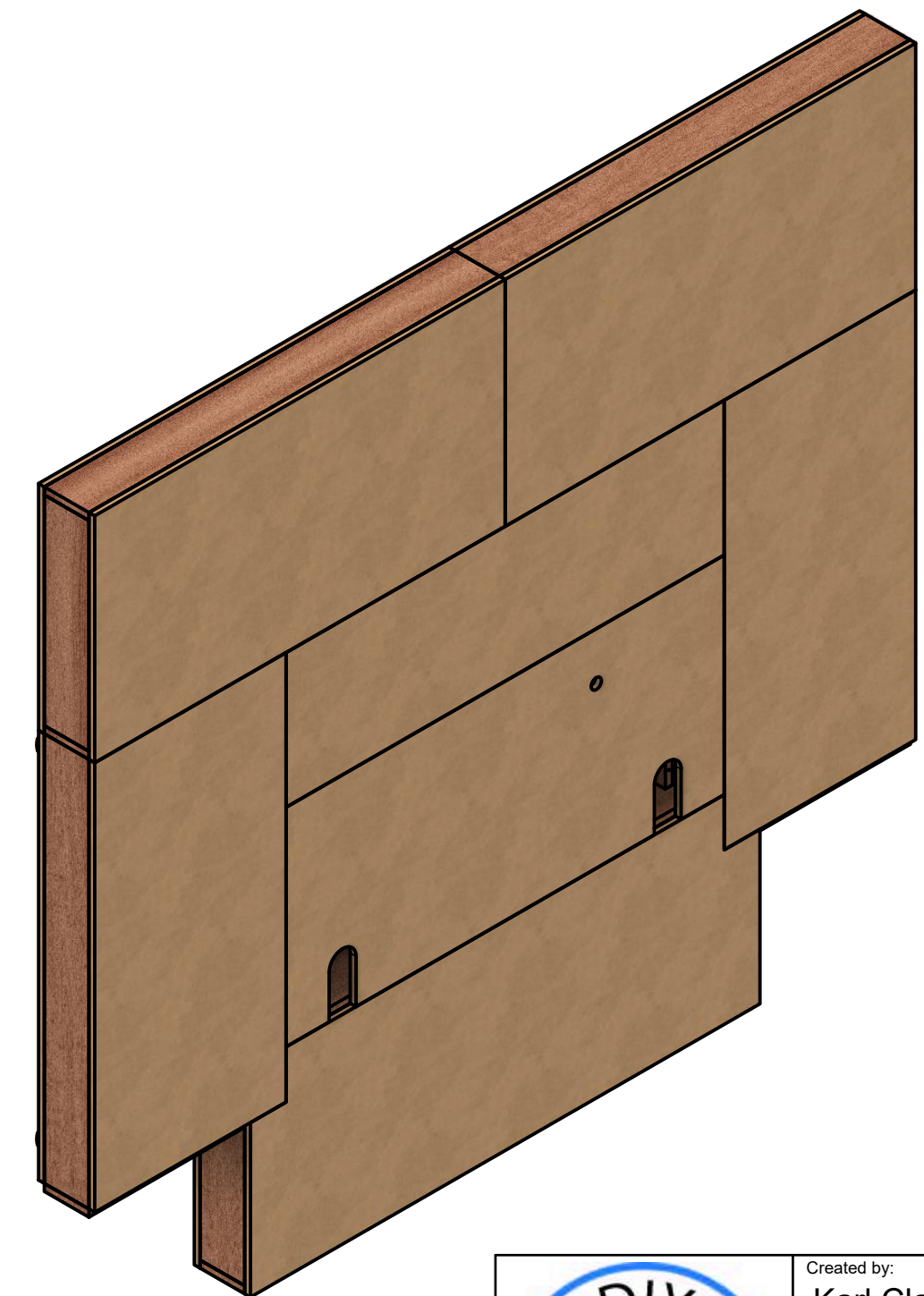
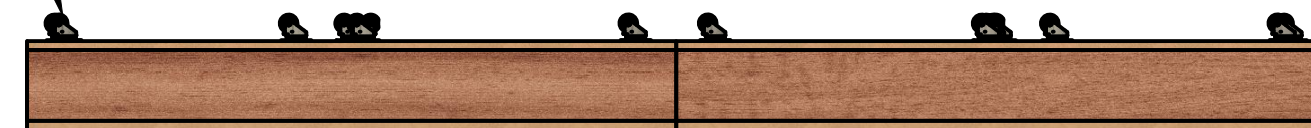


All Panels were secured by a ratchet strap around the circumference.

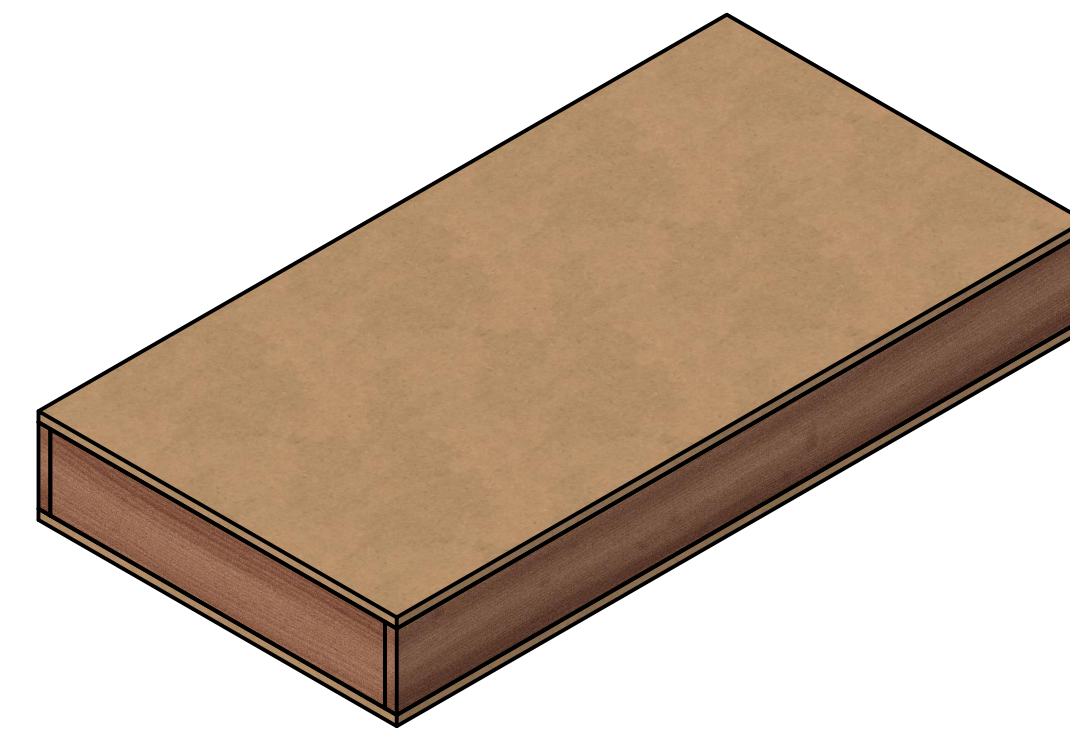
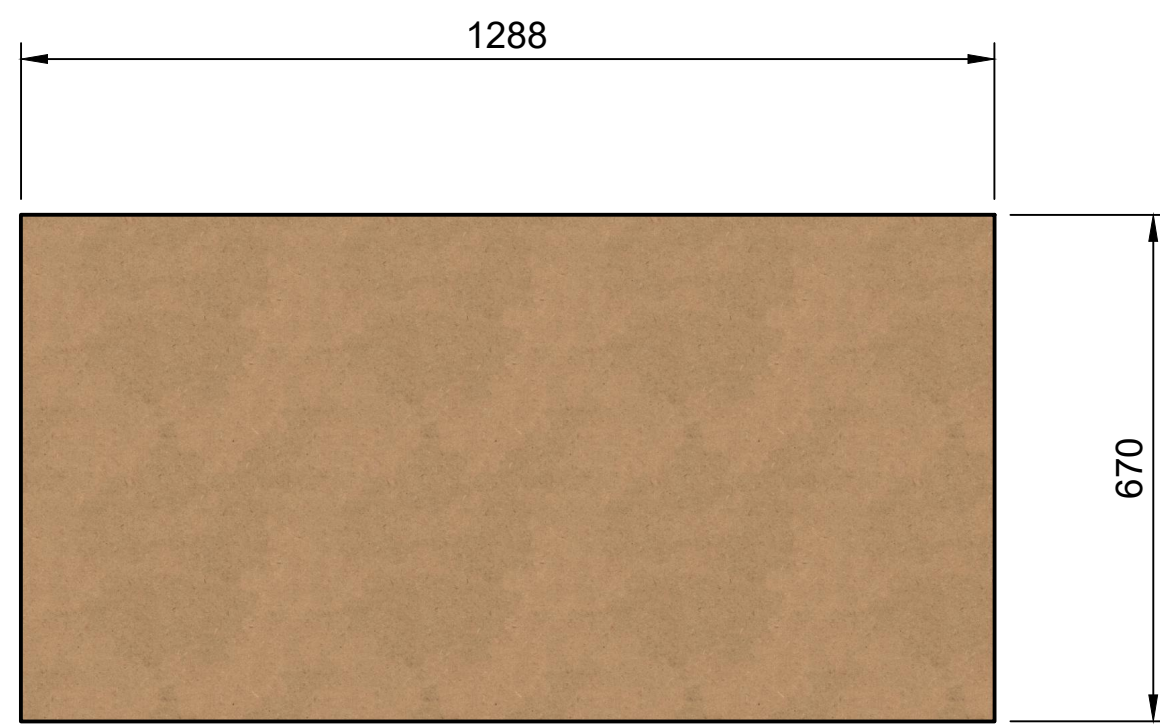
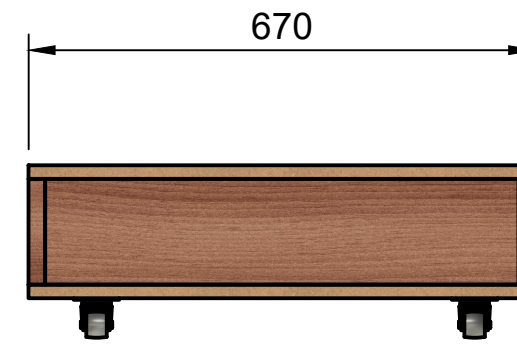
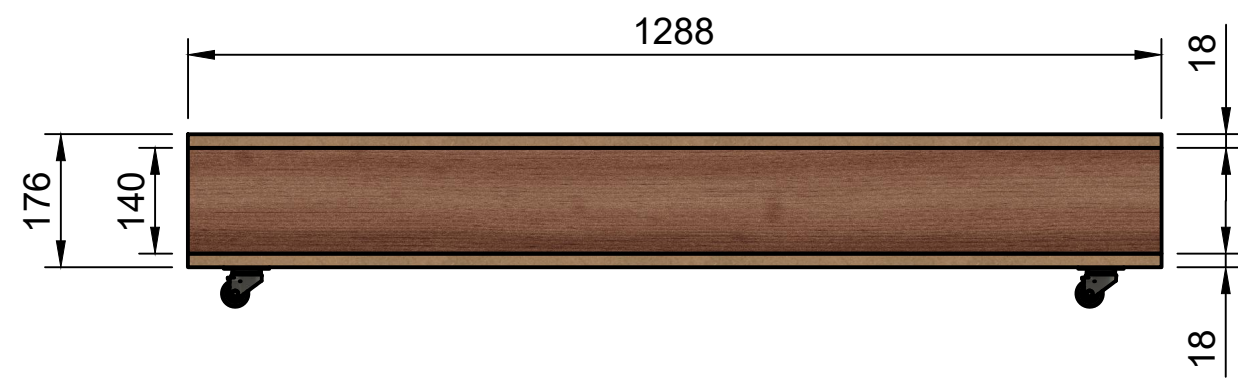
140mm is the minimum height of the side panels. Once again bigger is better.



All castors should be mounted so that they never extend past the edge of the floor. Castors should be 50mm or bigger. The bigger the better. This will allow more room for controls and easier to move around.



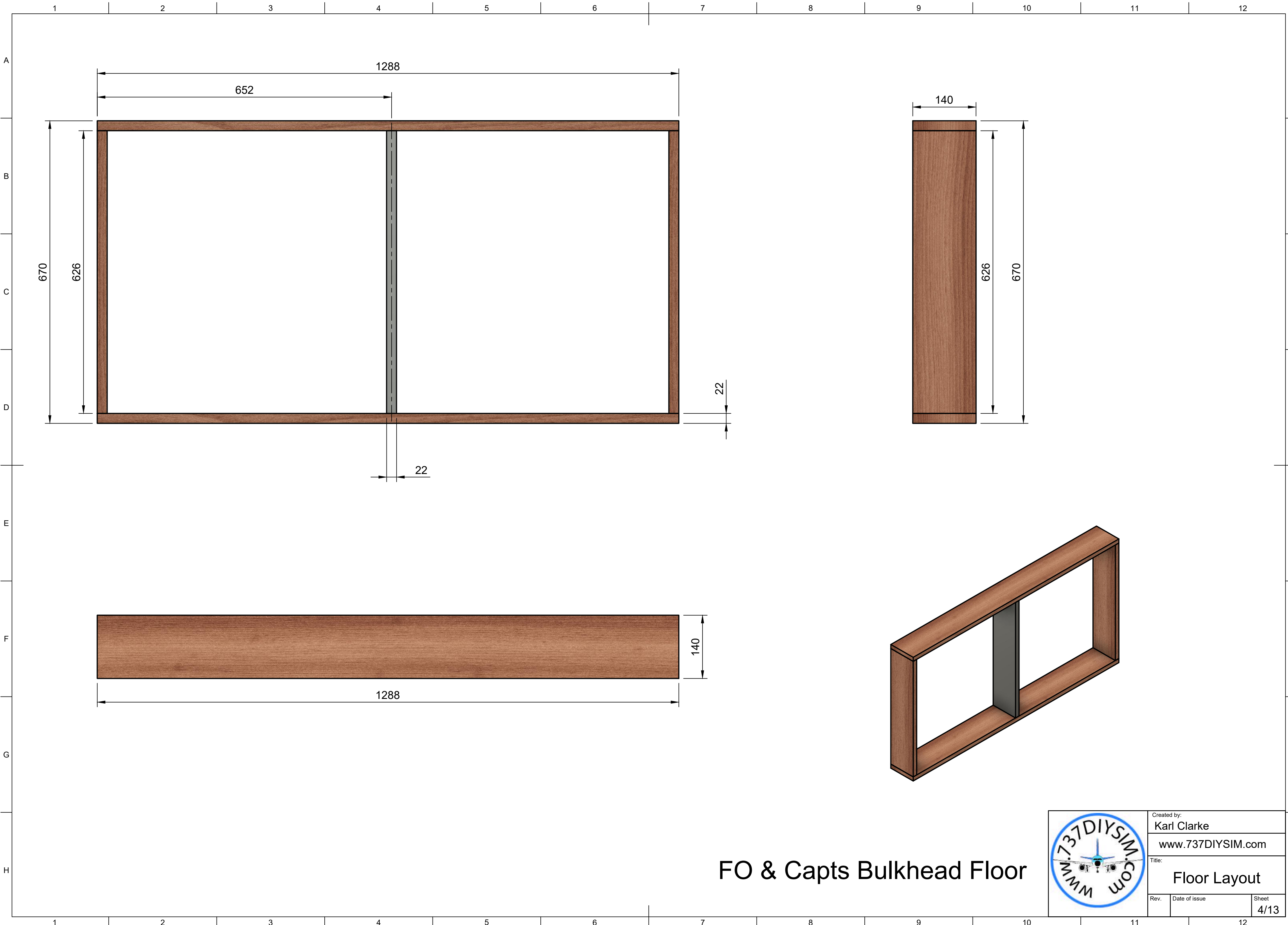
Created by:		
Karl Clarke		
www.737DIYSIM.com		
Title:		
Floor Layout		
Rev.	Date of issue	Sheet
		2/13



FO & Capts Bulkhead Floor



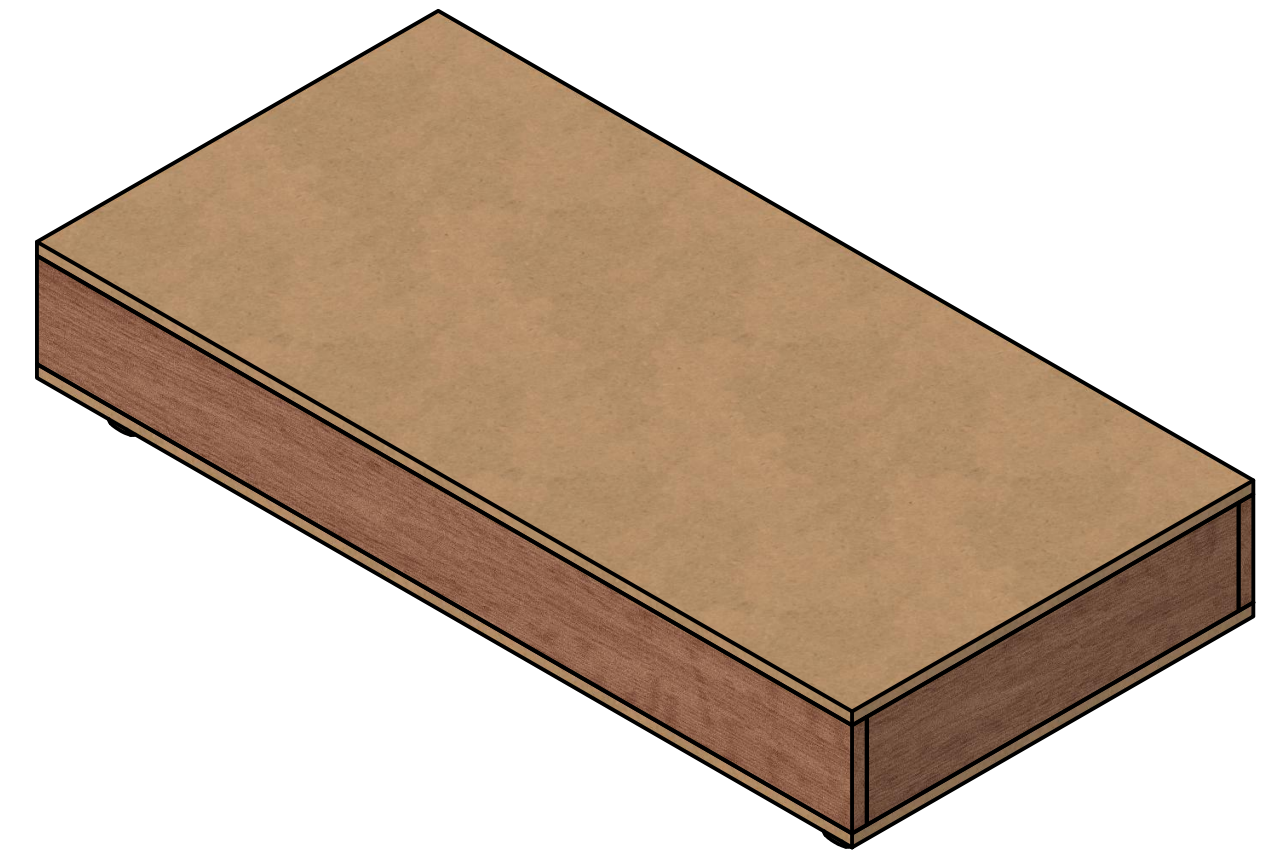
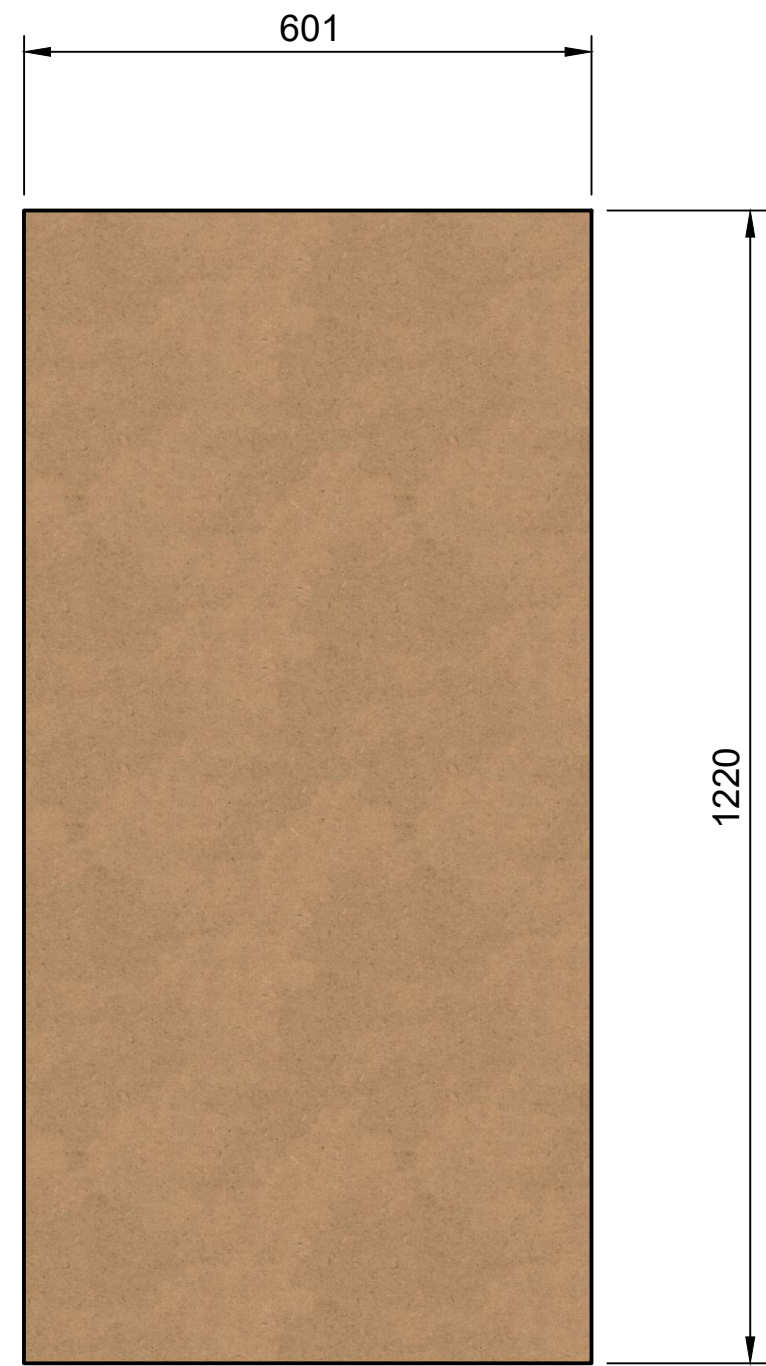
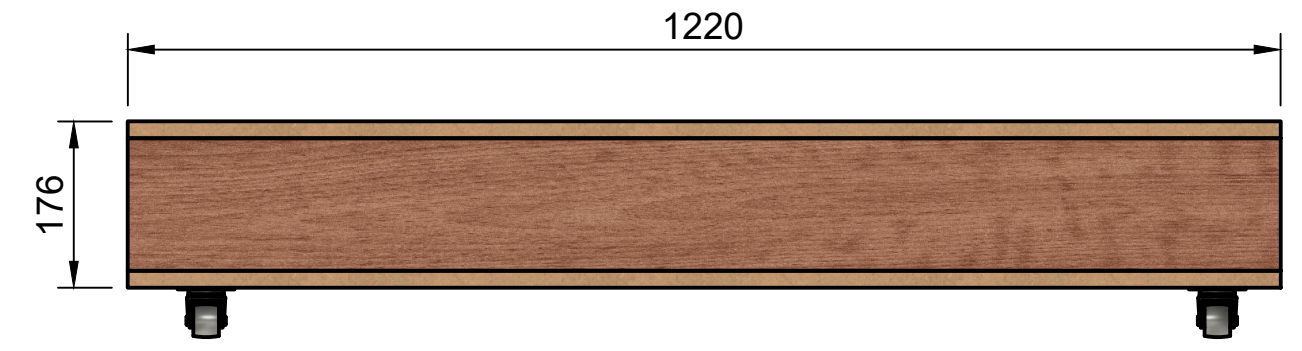
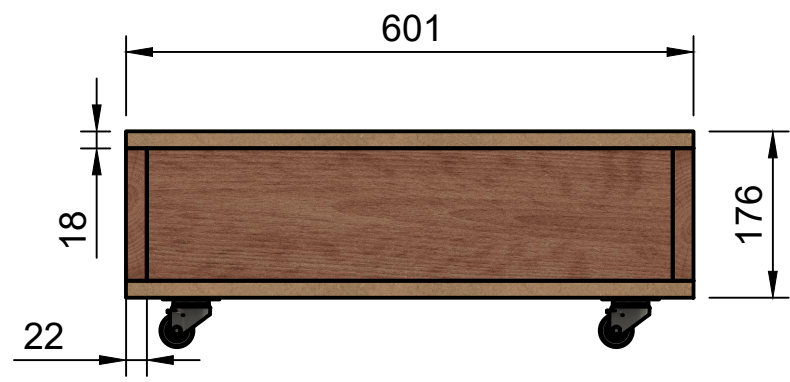
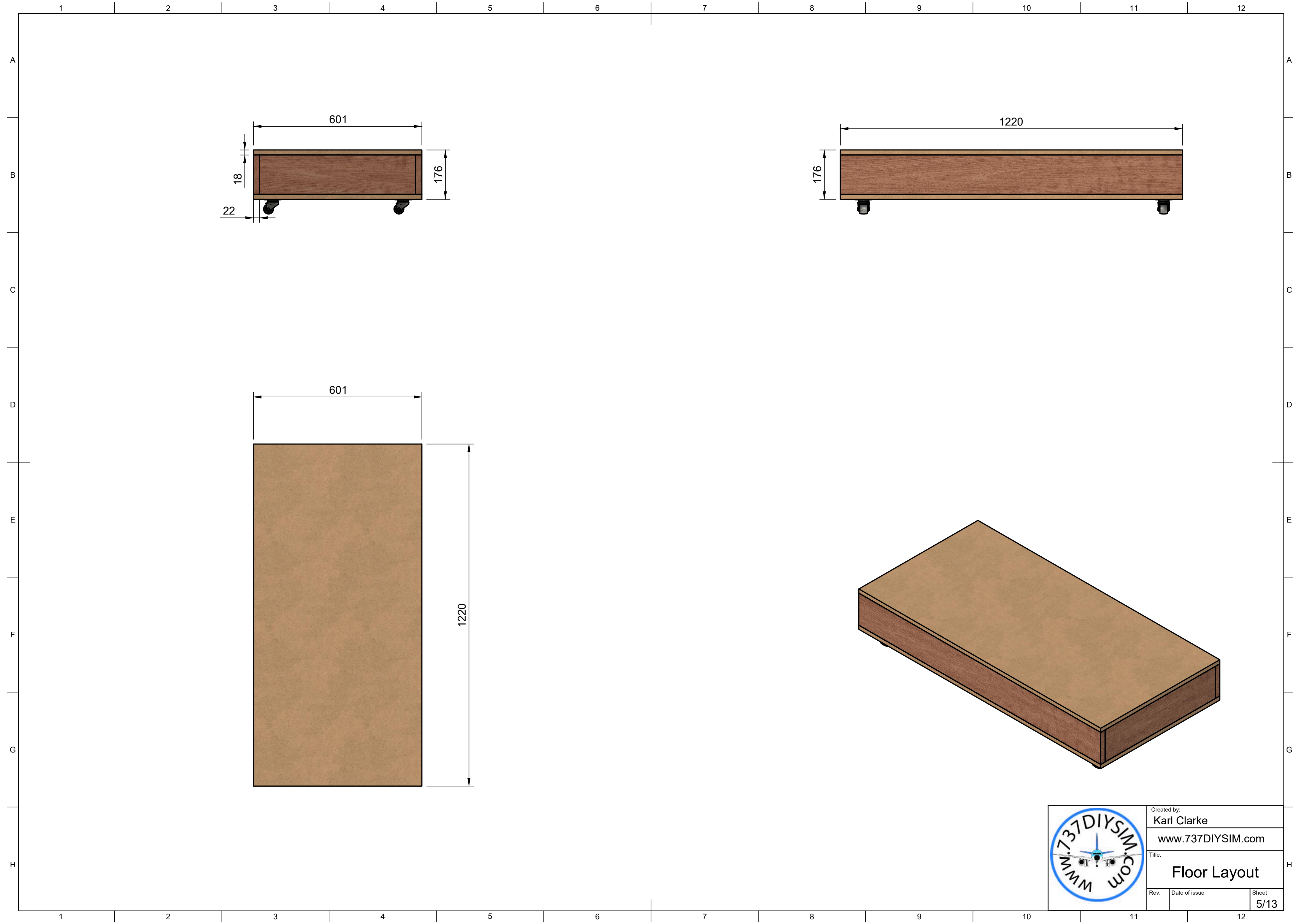
Created by: Karl Clarke		
www.737DIYSIM.com		
Title: Floor Layout		
Rev.	Date of issue	Sheet 3/13



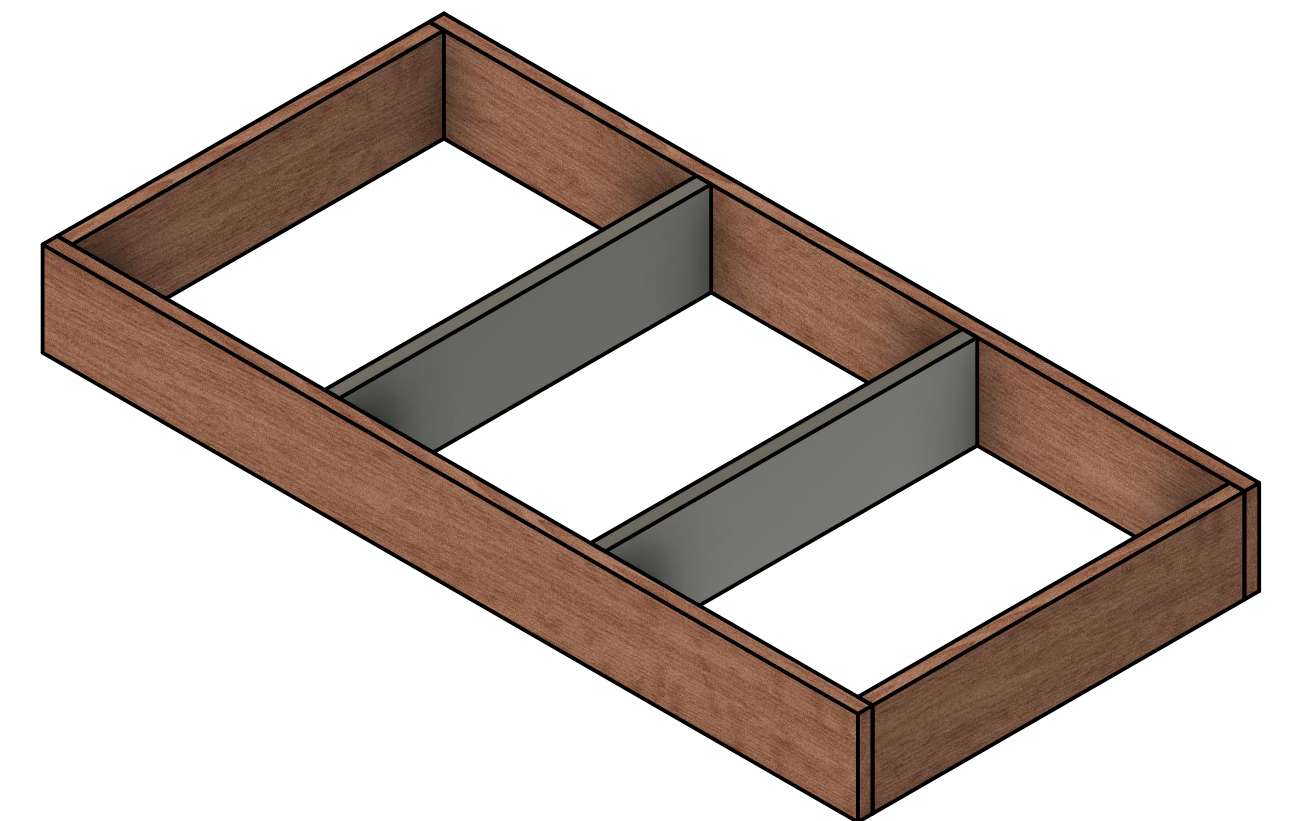
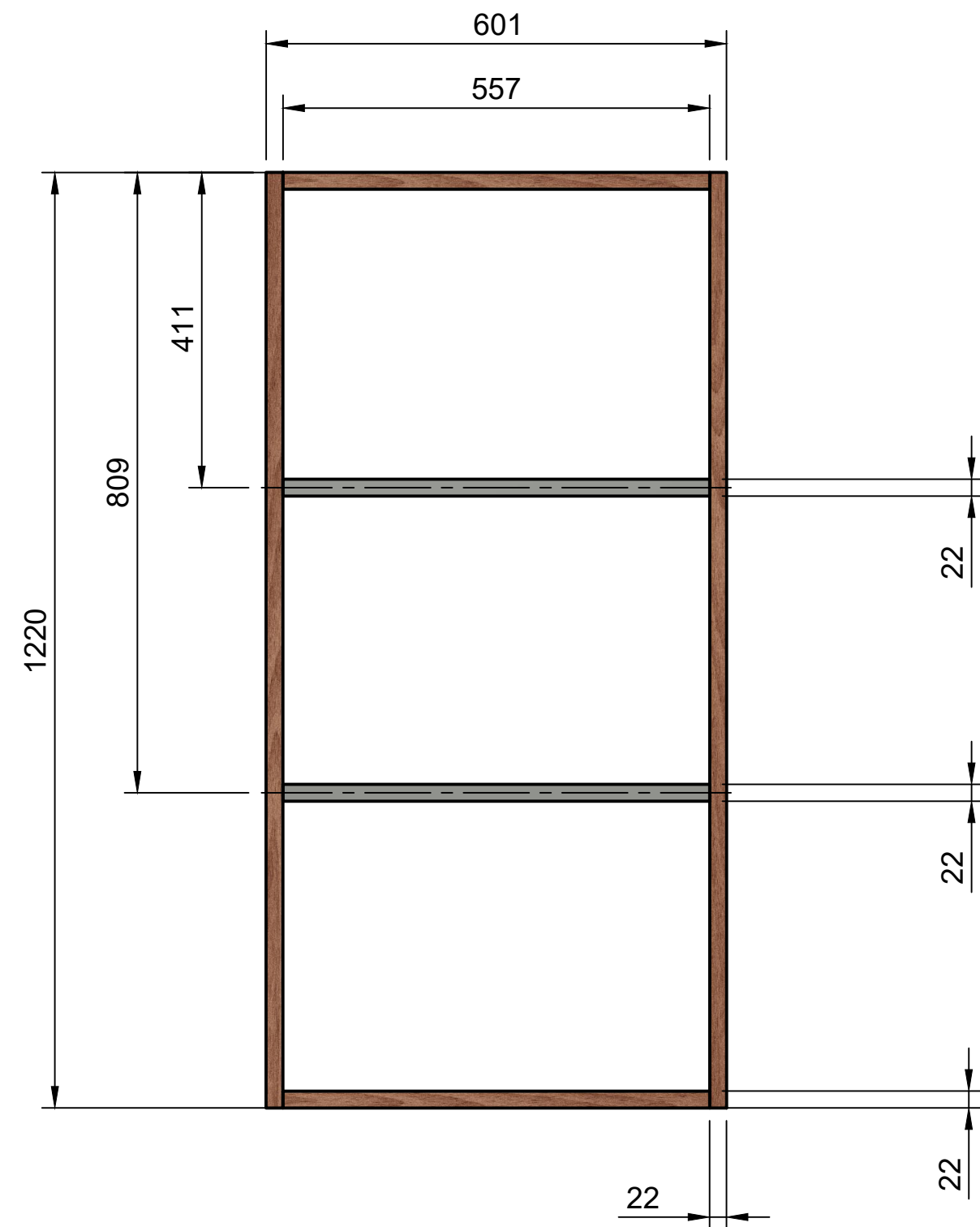
FO & Cpts Bulkhead Floor



Created by: Karl Clarke		
www.737DIYSIM.com		
Title: Floor Layout		
Rev.	Date of issue	Sheet 4/13



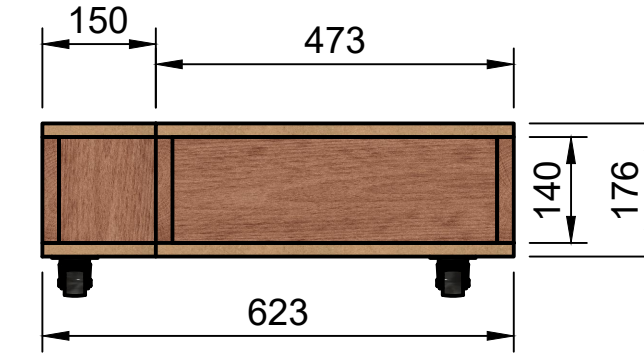
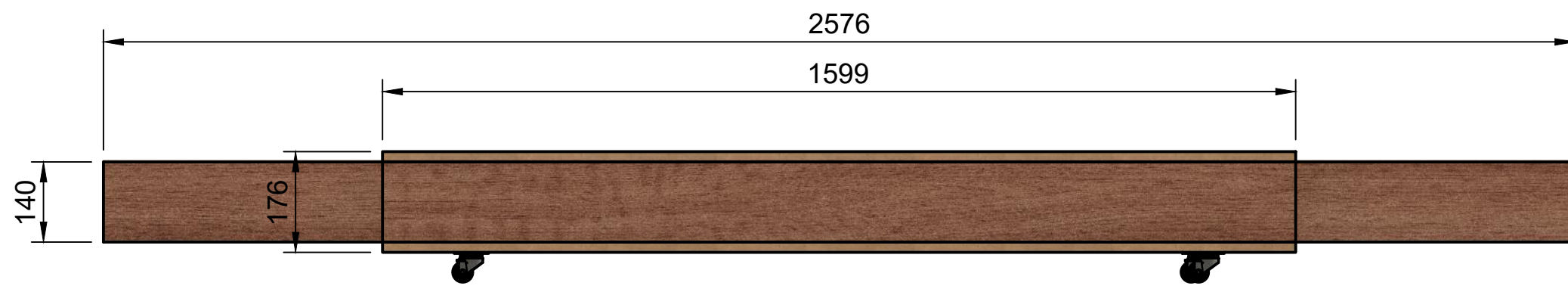
	Created by:		Karl Clarke
			www.737DIYSIM.com
	Title:		Floor Layout
Rev.	Date of issue	Sheet	5/13



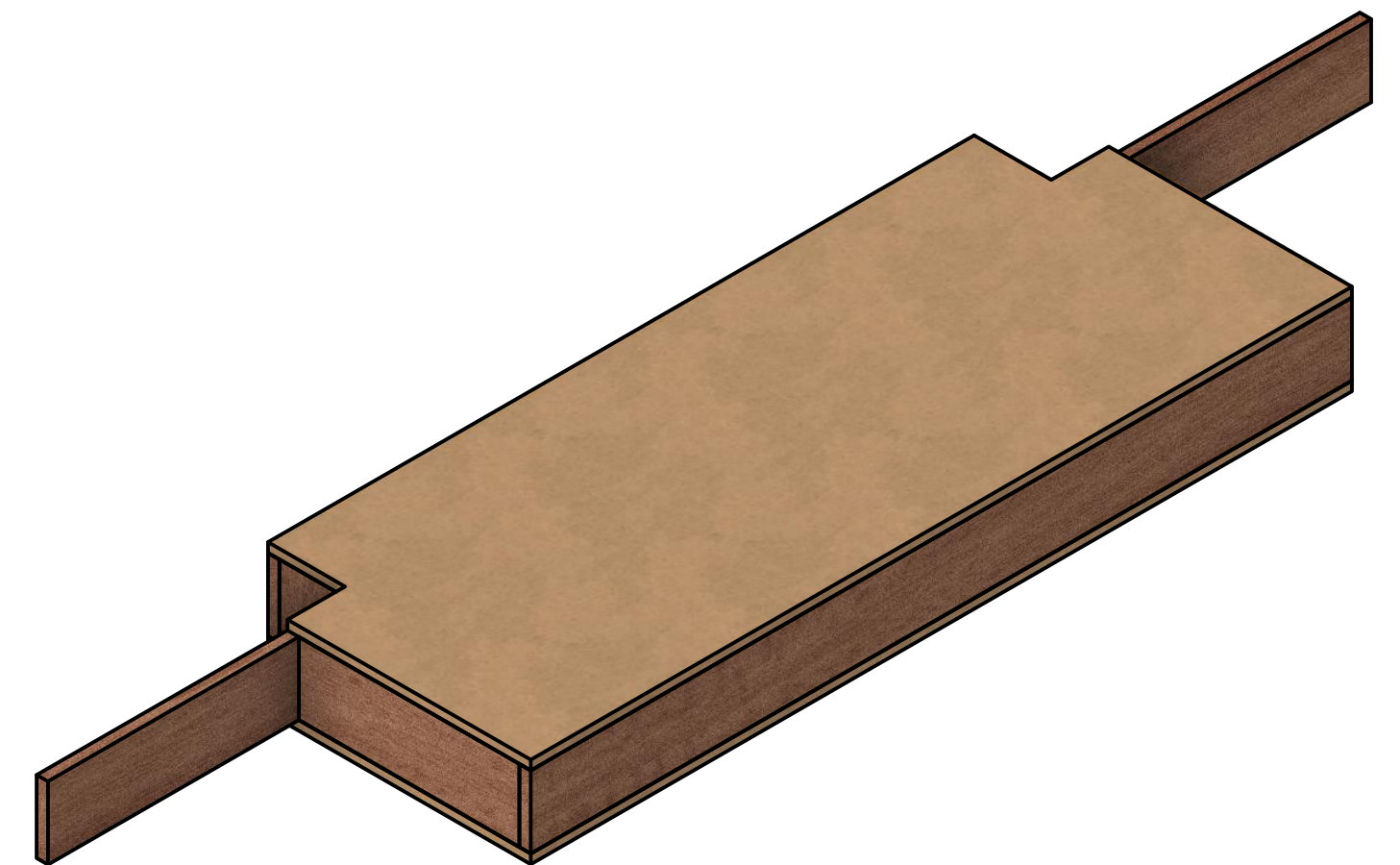
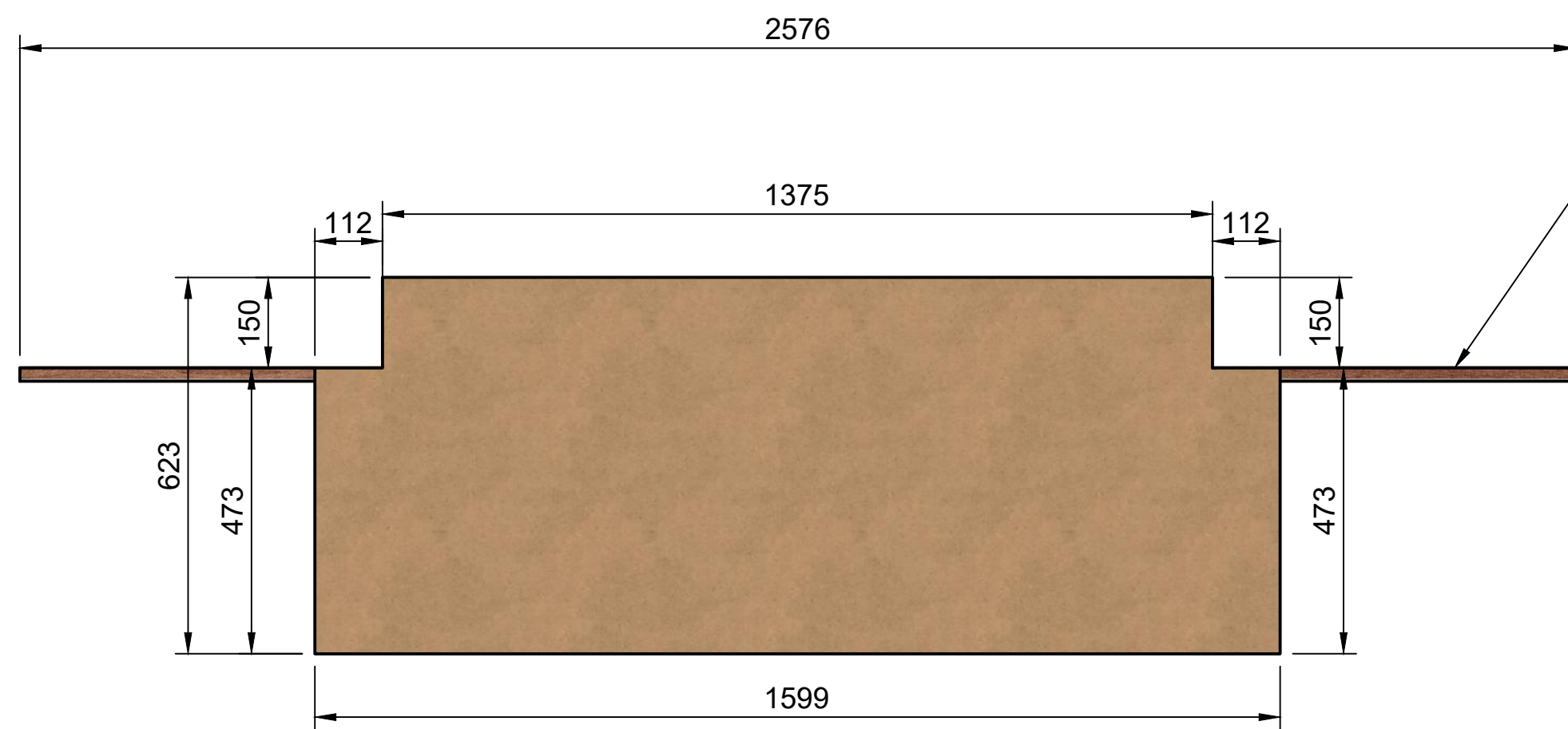
Sidewall Floor X2



Created by: Karl Clarke		
www.737DIYSIM.com		
Title: Floor Layout		
Rev.	Date of issue	Sheet 6/13



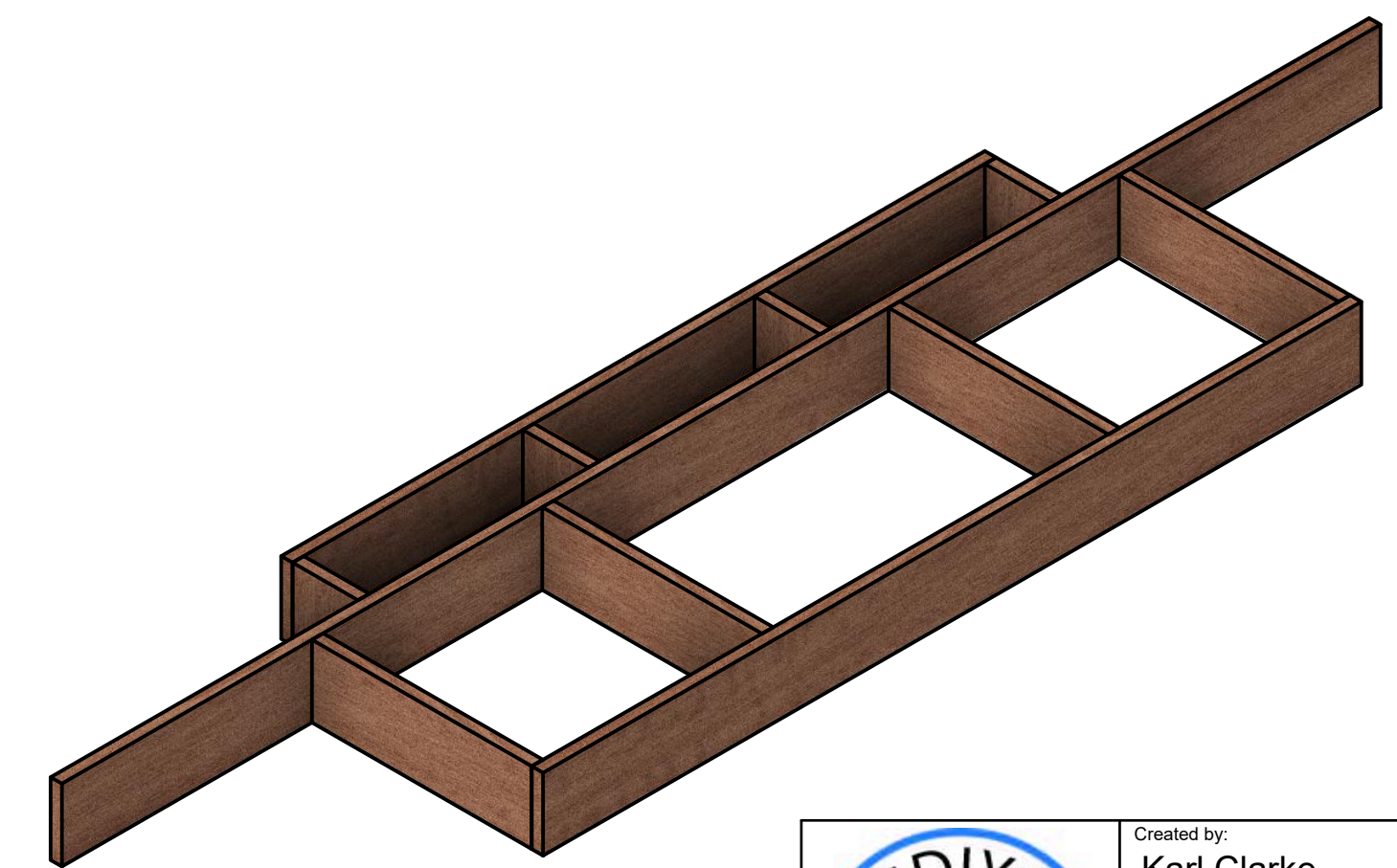
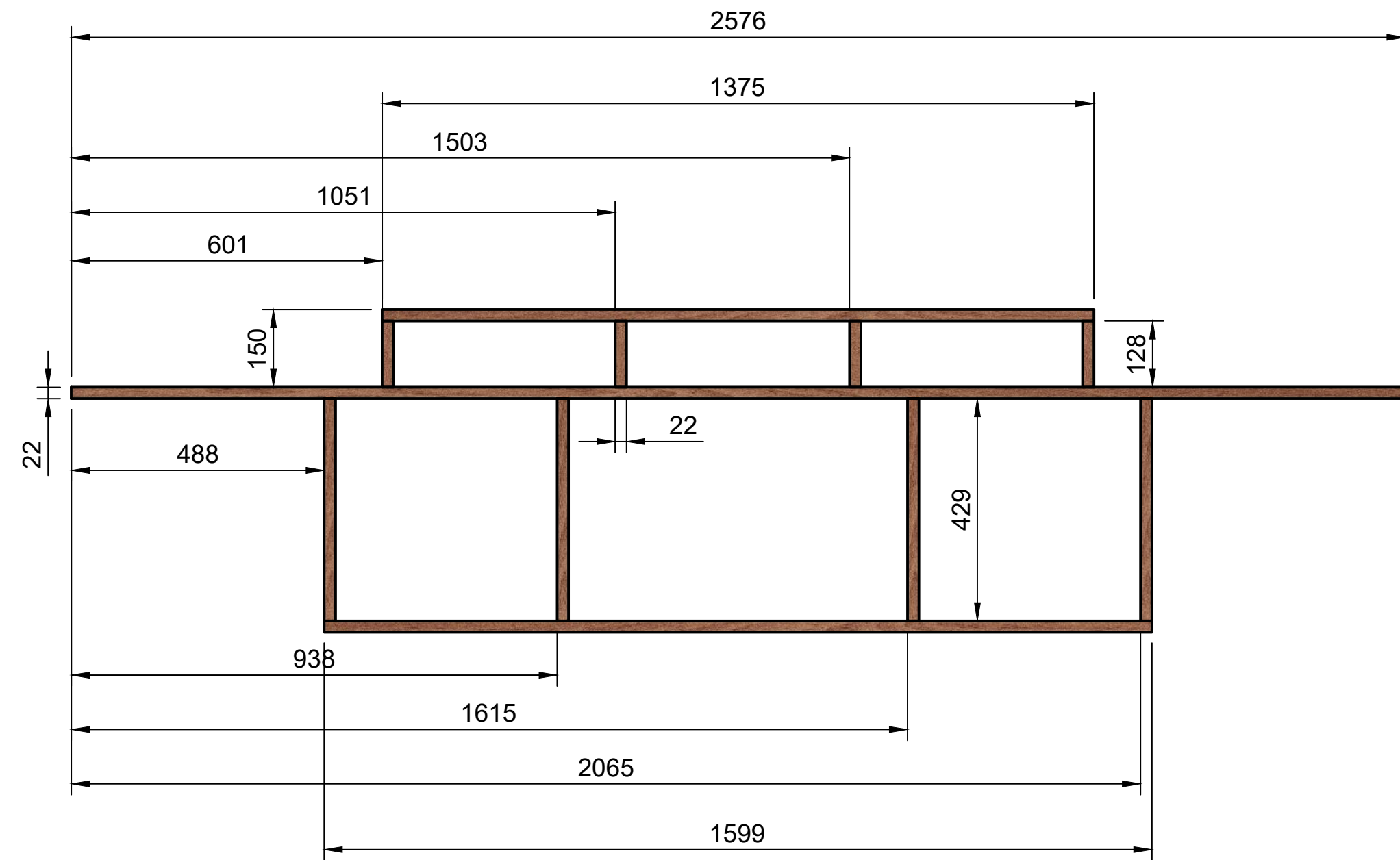
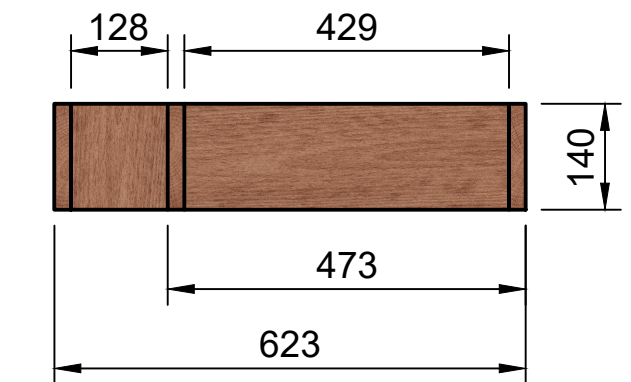
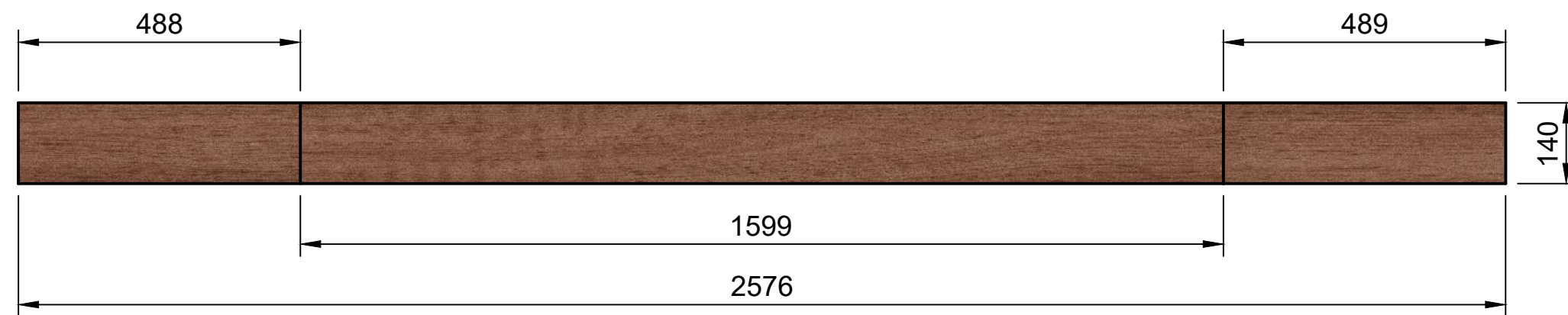
These are optional, They help to screw the parts together.
These overhangs were finally removed later in the project.
They made moving this part around awkward due to size.



MIP Floor

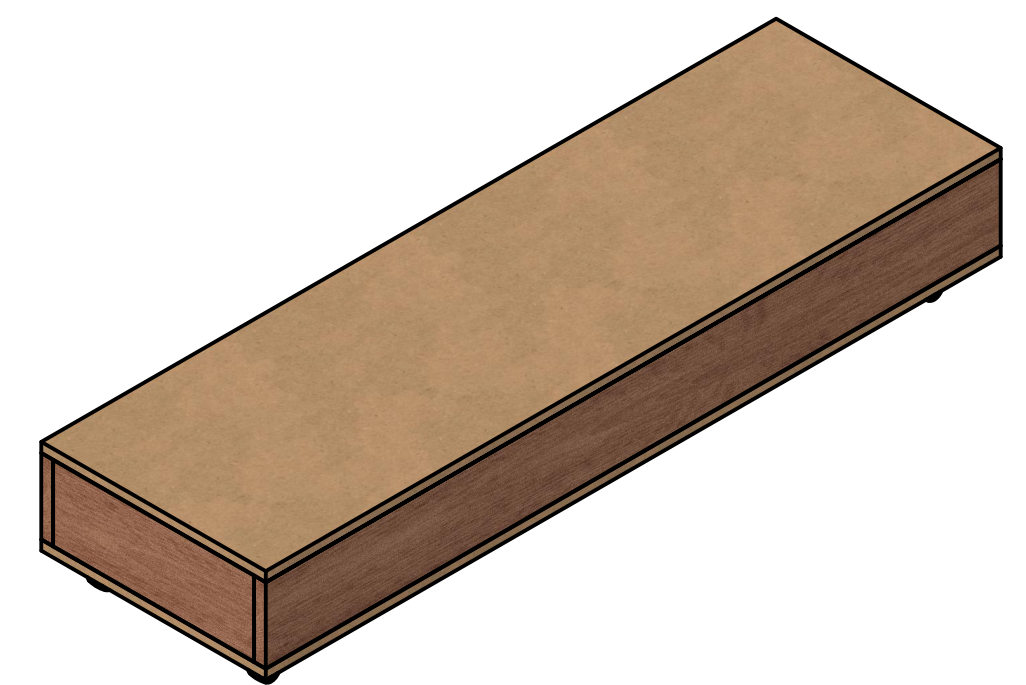
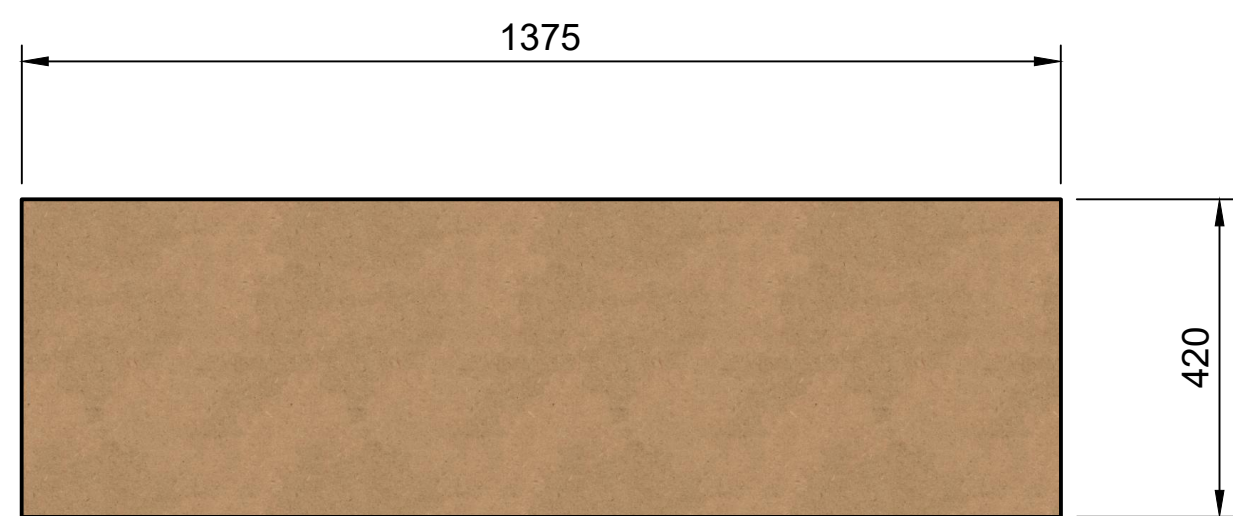
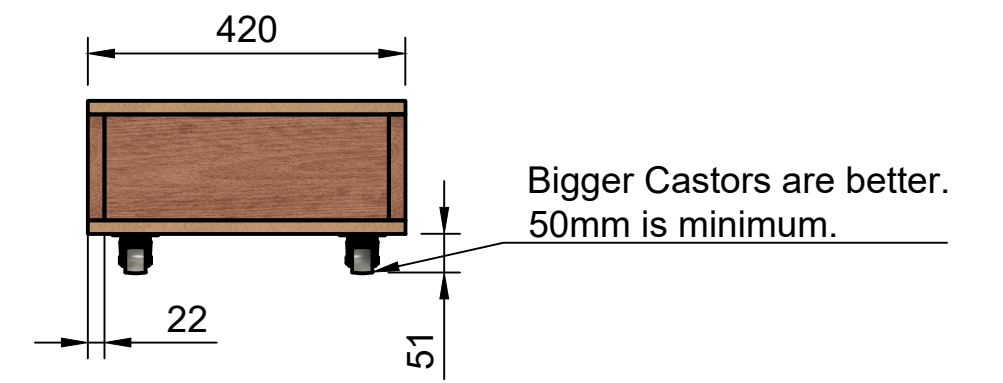


Created by: Karl Clarke		
www.737DIYSIM.com		
Title: Floor Layout		
Rev.	Date of issue	Sheet 7/13



MIP Floor

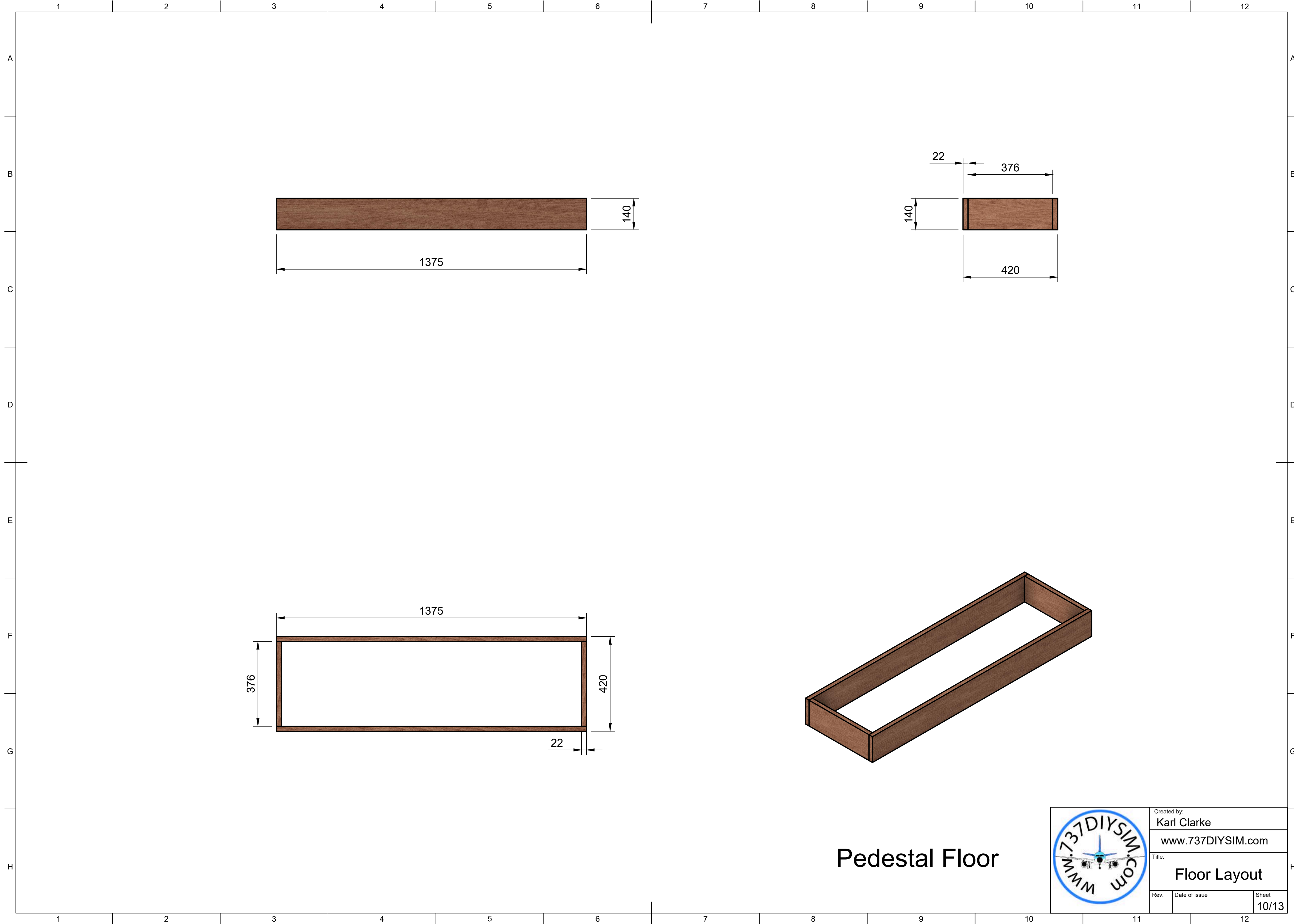
	Created by:		Karl Clarke
			www.737DIYSIM.com
	Title:		Floor Layout
	Rev.	Date of issue	Sheet
			8/13



Pedestal Floor



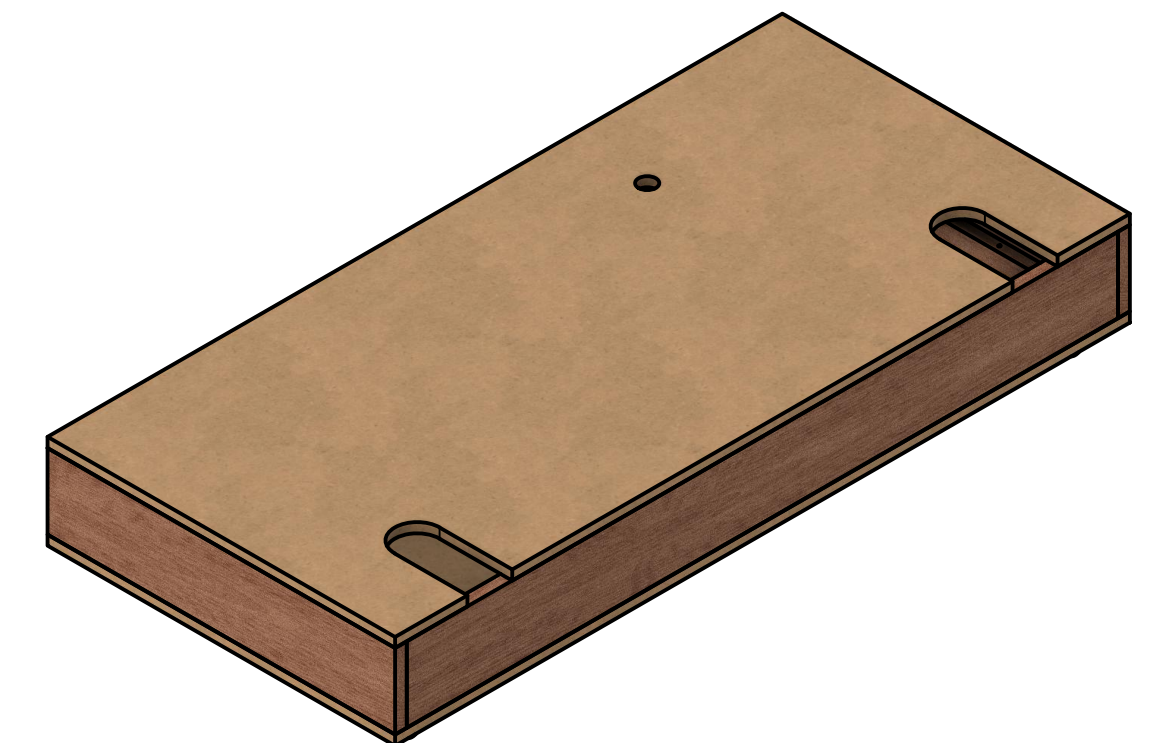
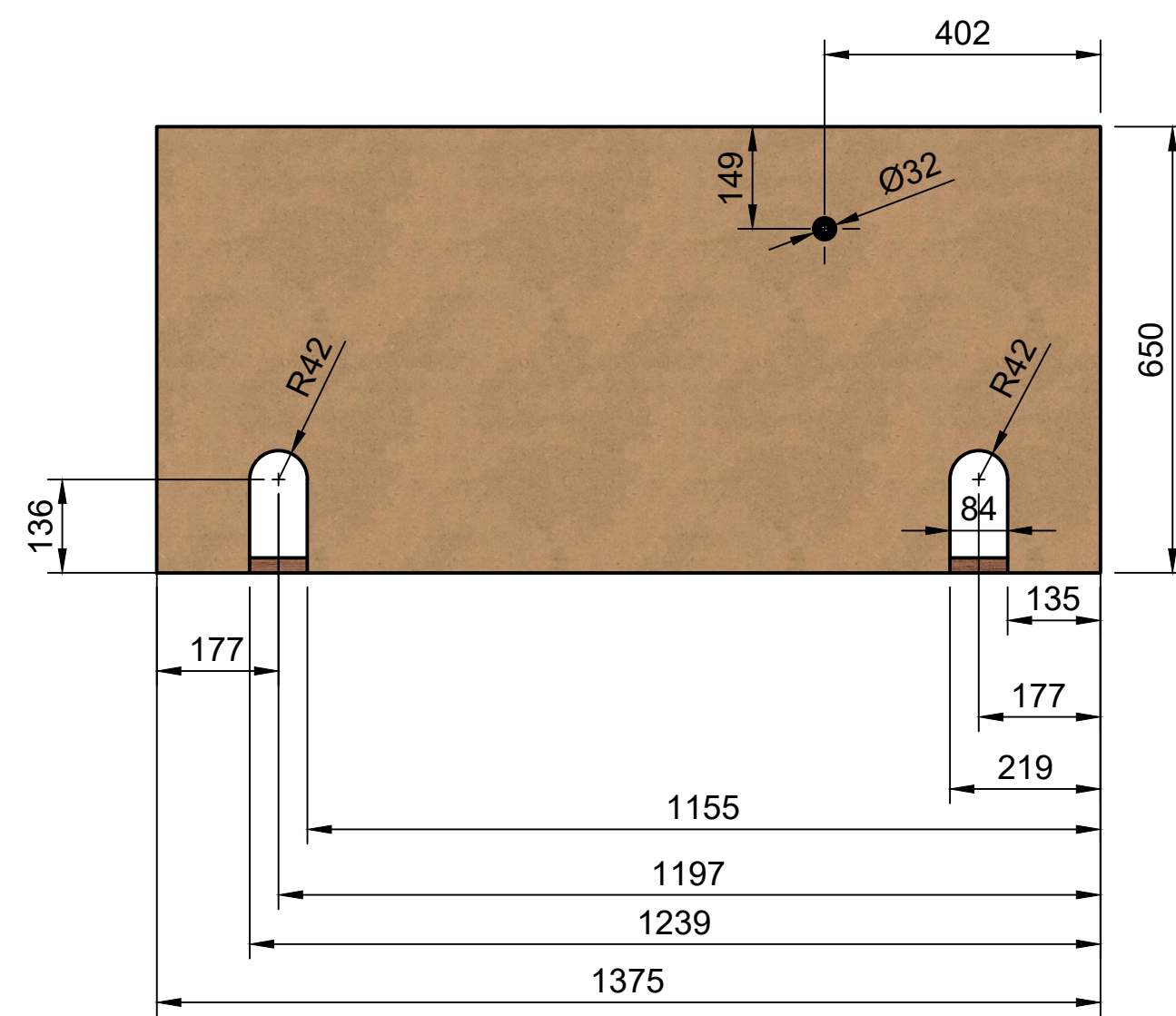
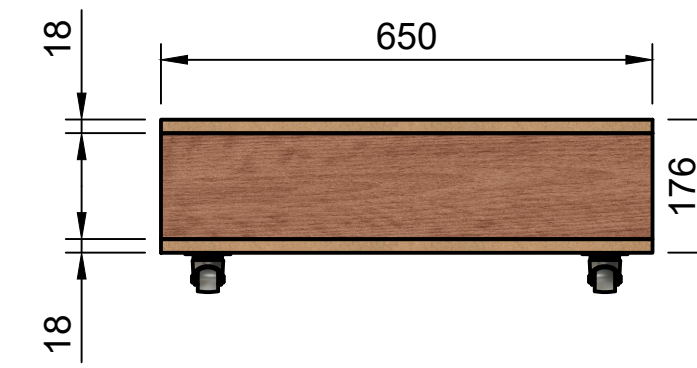
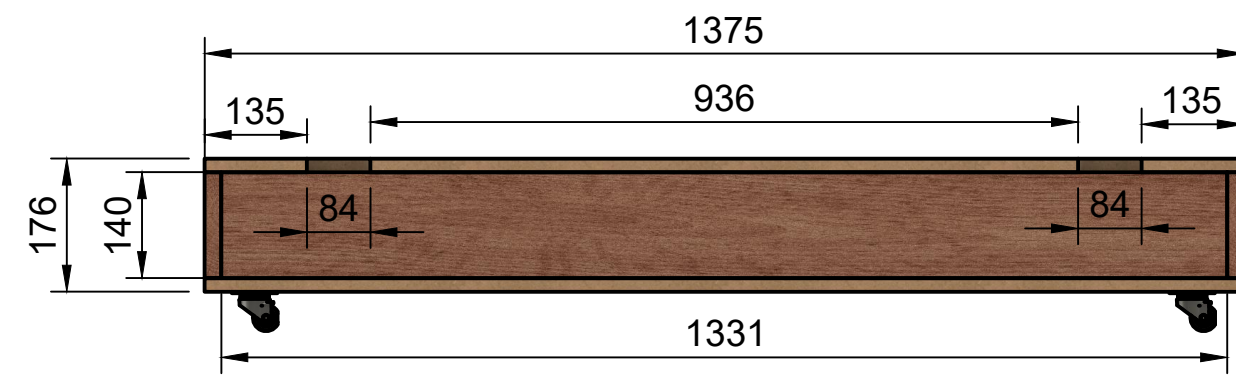
Created by: Karl Clarke		
www.737DIYSIM.com		
Title: Floor Layout		
Rev.	Date of issue	Sheet 9/13



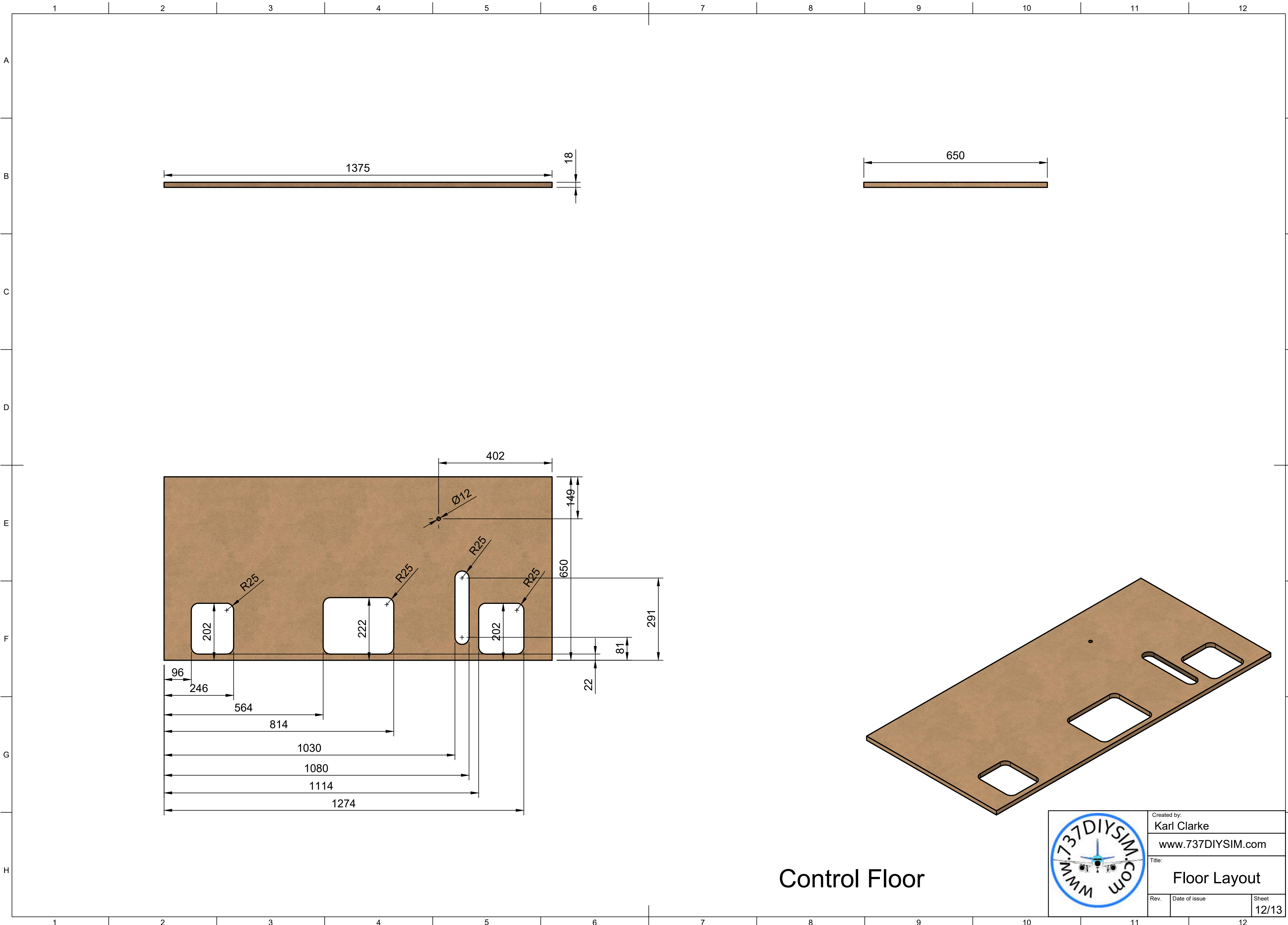
Pedestal Floor



Created by: Karl Clarke		
www.737DIYSIM.com		
Title: Floor Layout		
Rev.	Date of issue	Sheet 10/13

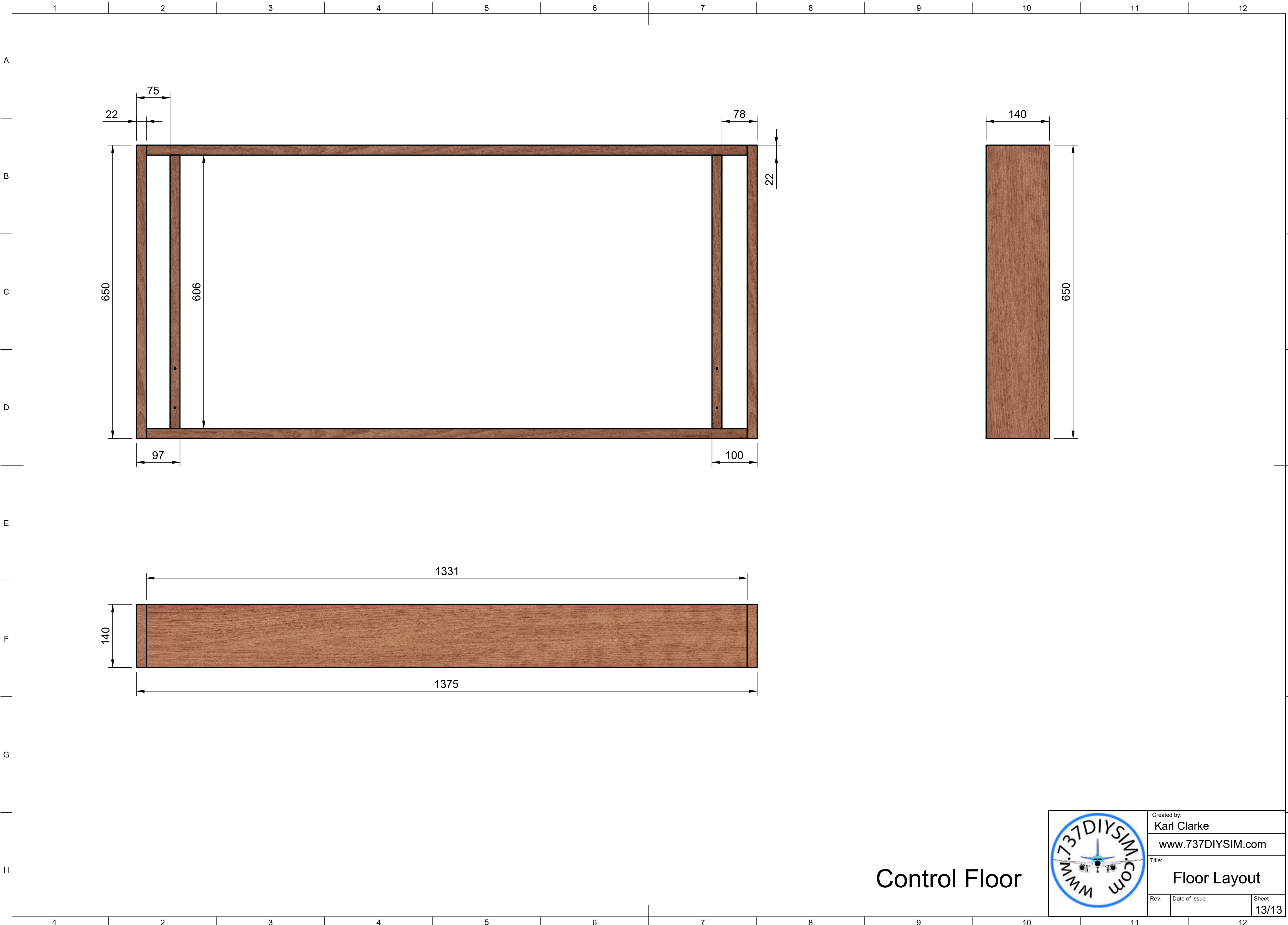


Created by: Karl Clarke		
www.737DIYSIM.com		
Title: Floor Layout		
Rev.	Date of issue	Sheet 11/13



Control Floor

	Created by: Karl Clarke	
	www.737DIYSIM.com	
	Title: Floor Layout	
Rev.	Date of issue	Sheet 12/13



Control Floor



Created by:		
Karl Clarke		
www.737DIYSIM.com		
Title:		
Floor Layout		
Rev.	Date of issue	Sheet
		13/13