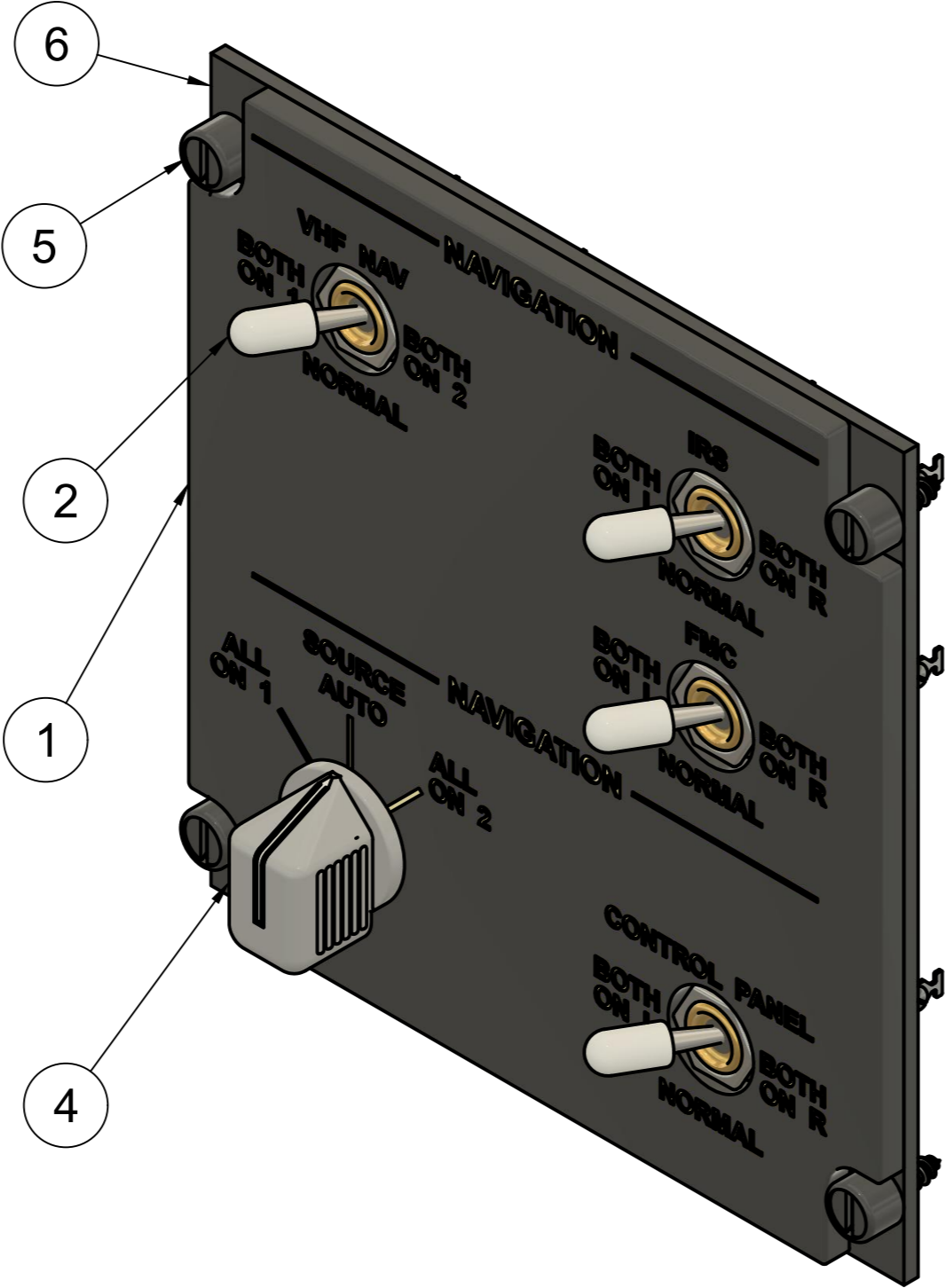
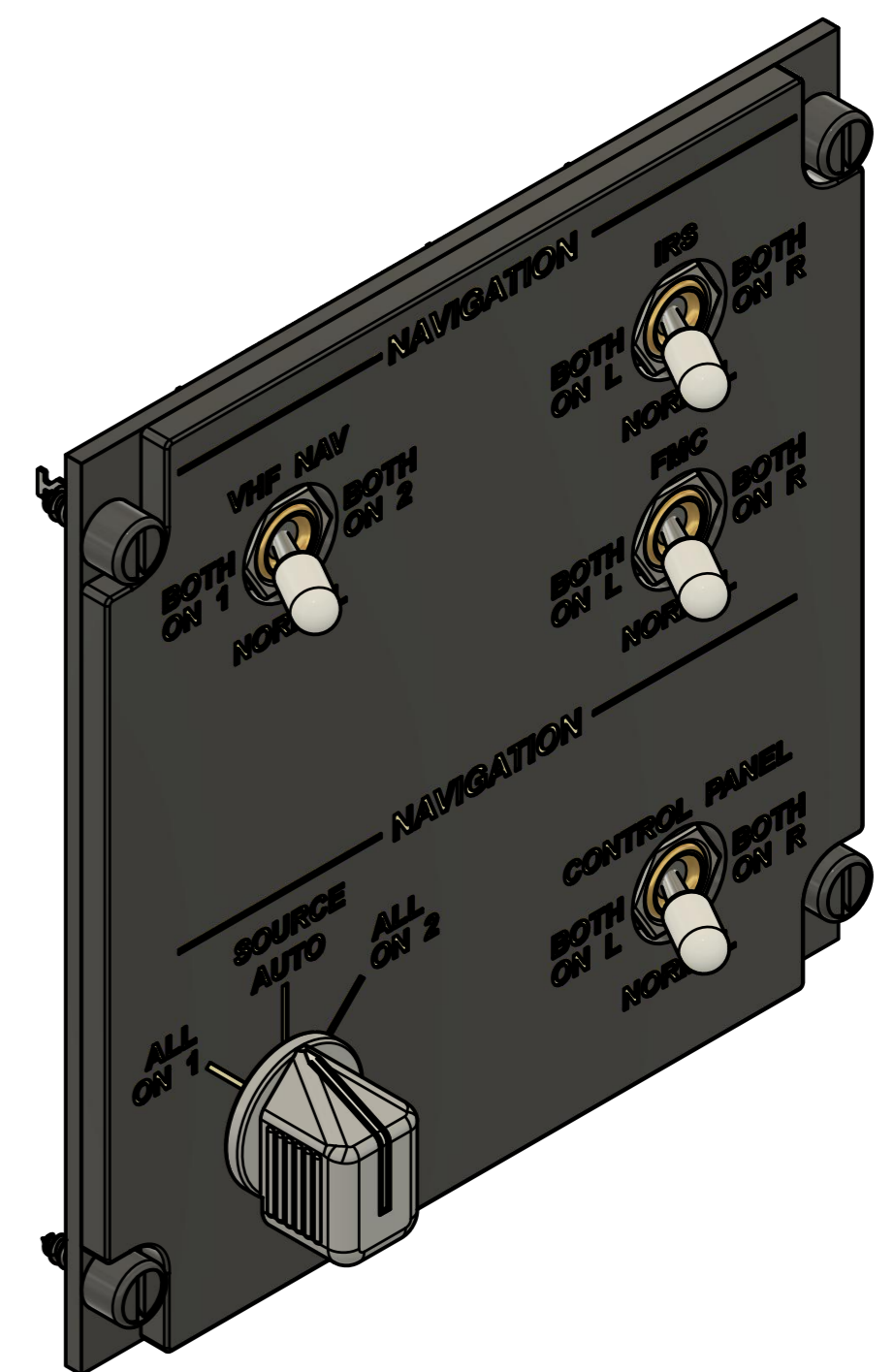
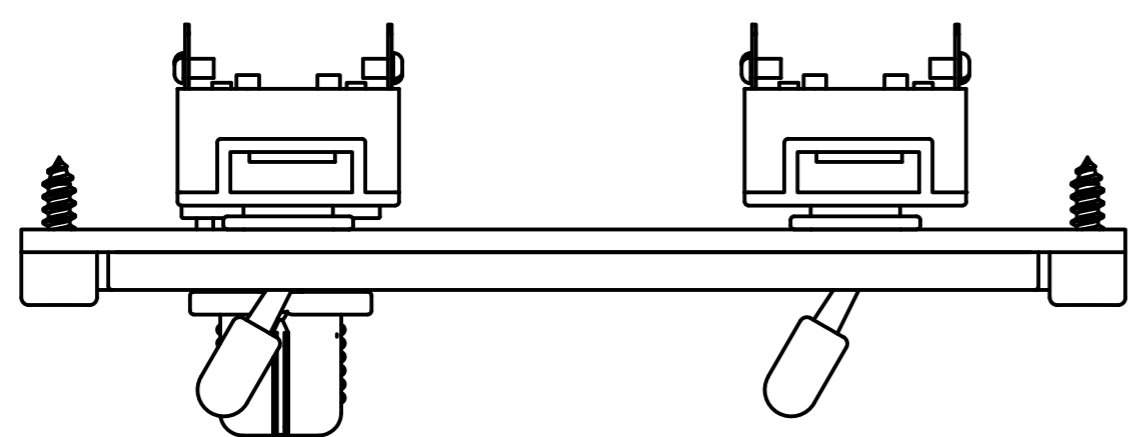
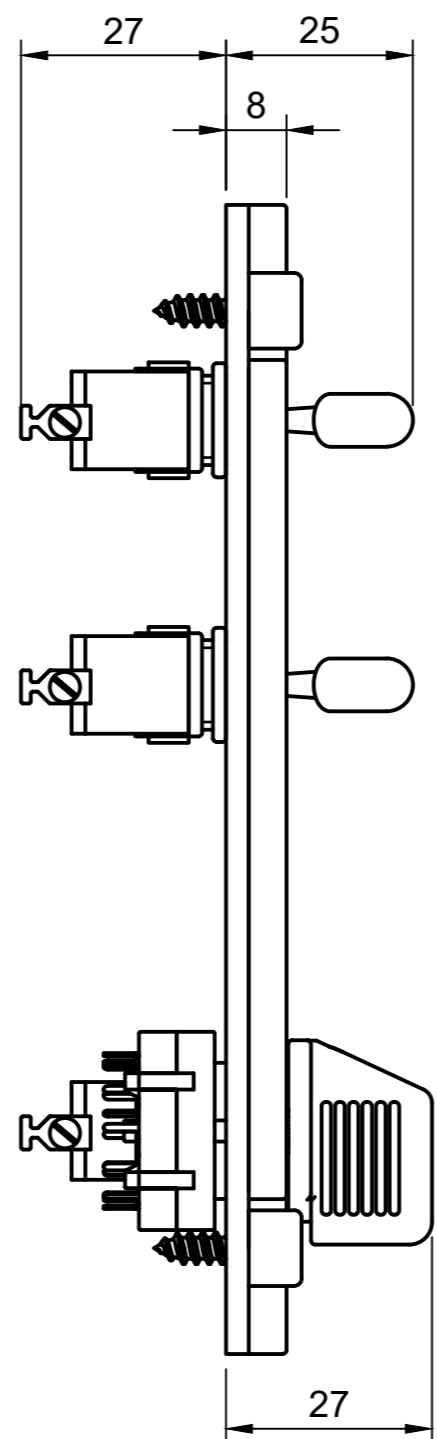
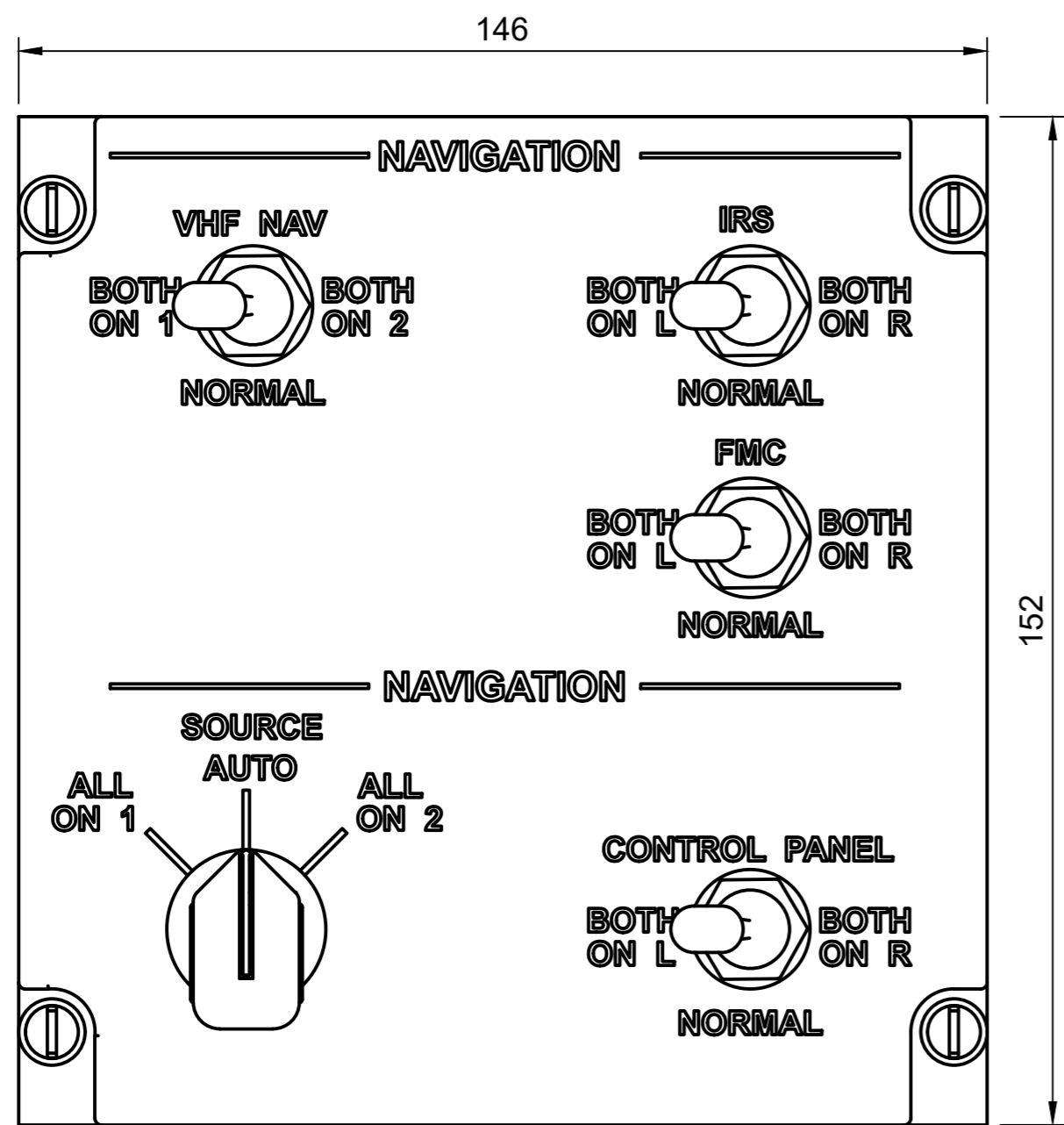


Parts List			
Item	Qty	Part Number	Part Name
1	1	5mm PERSPEX	INST TFR PANEL FACEPLATE
2	4	TOGGLE SWITCH LARGE (NOSE STEERING)	TOGGLE SWITCH LARGE (NOSE STEERING) v7
3	1	12 POS ROTARY SW NEW	12 POS ROTARY SW NEW v6
4	1	737 General Knob	737 General Knob v4
5	4	DZUS FASTENER PLASTIC	DZUS FASTENER PLASTIC v4
6	1	3mm PERSPEX	INST TFR PANEL BACKPLATE

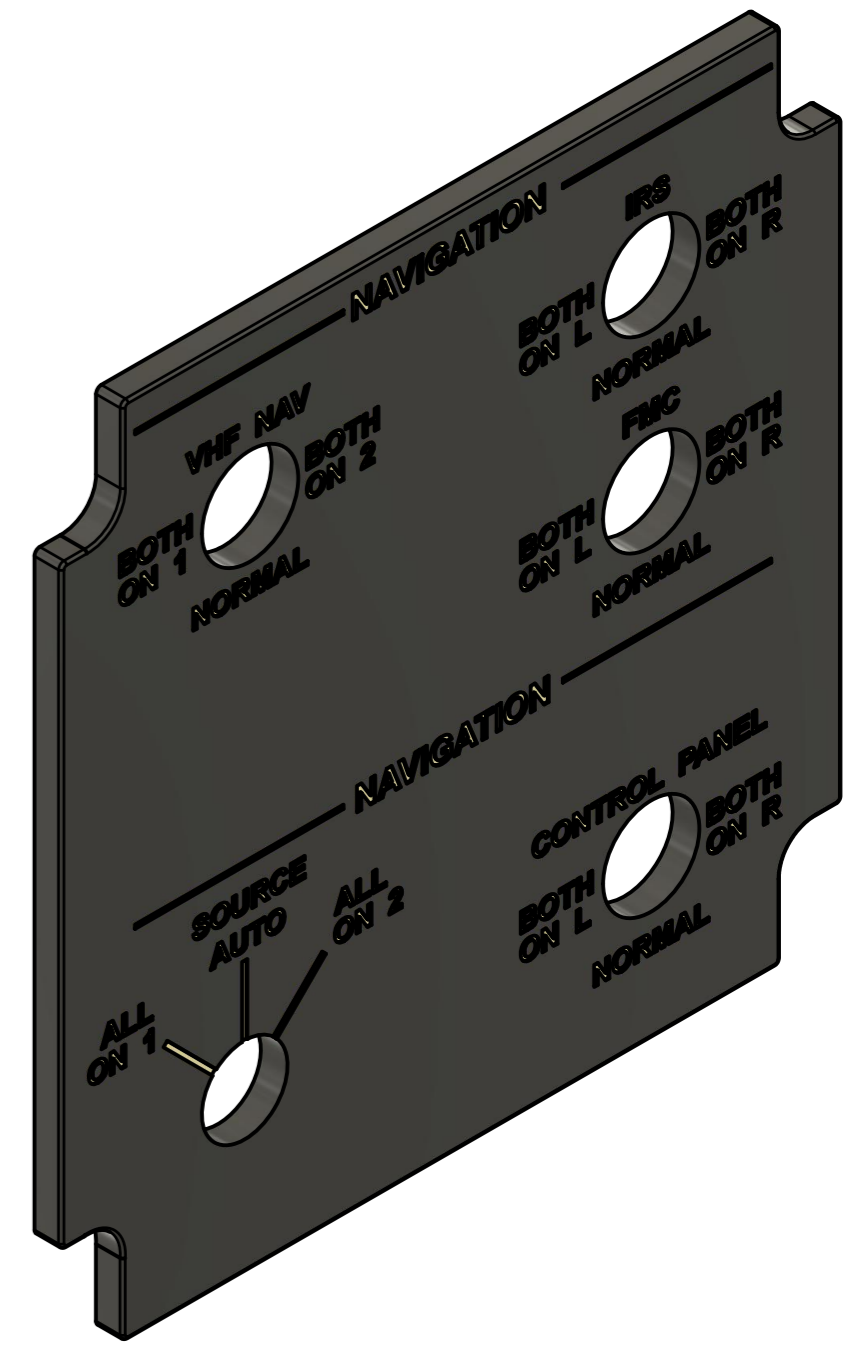
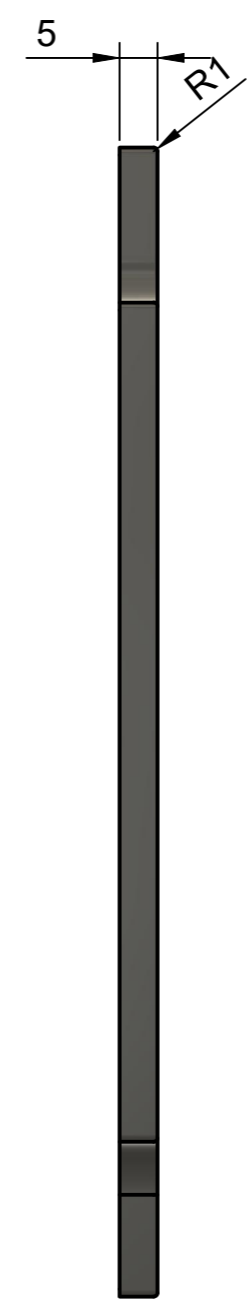
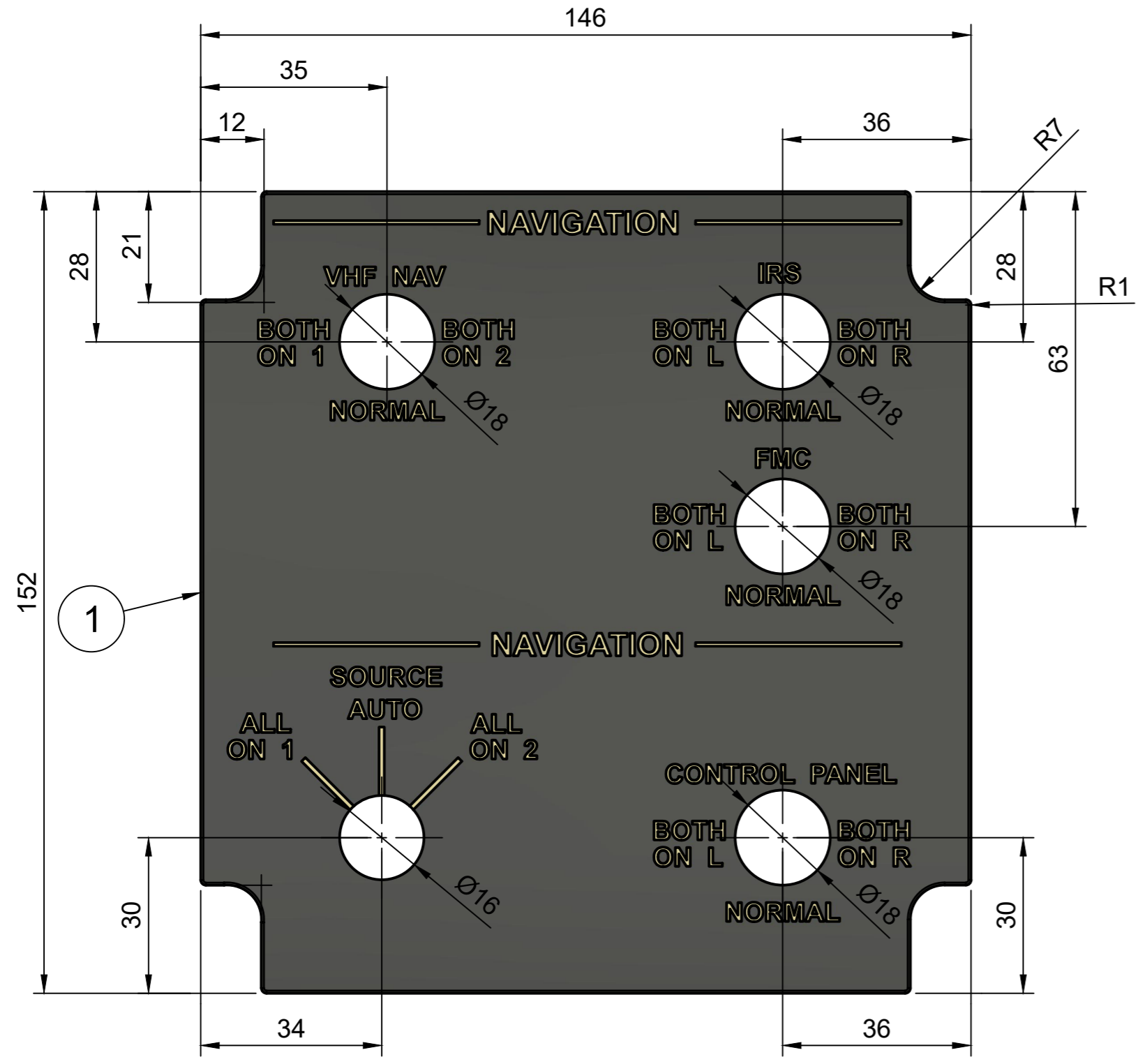


Created by: Karl Clarke		
www.737DIYSIM.com		
Title: ovhd INSTRUMENT TRANSFER		
Rev.	Date of issue	Sheet 1/4



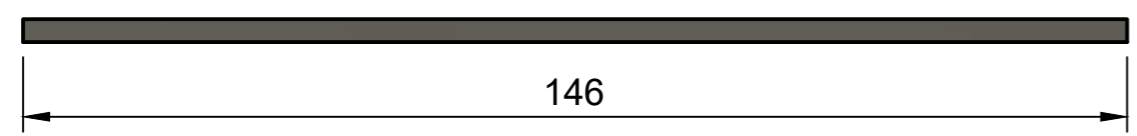
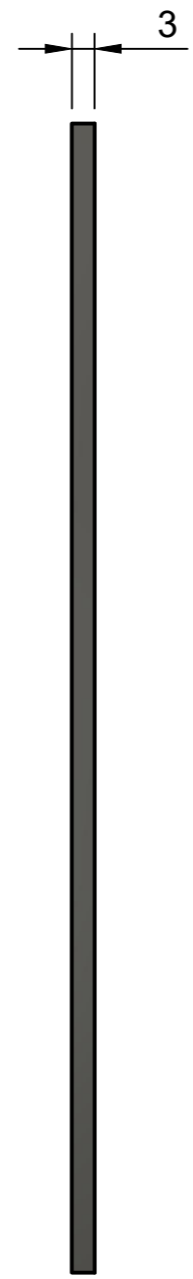
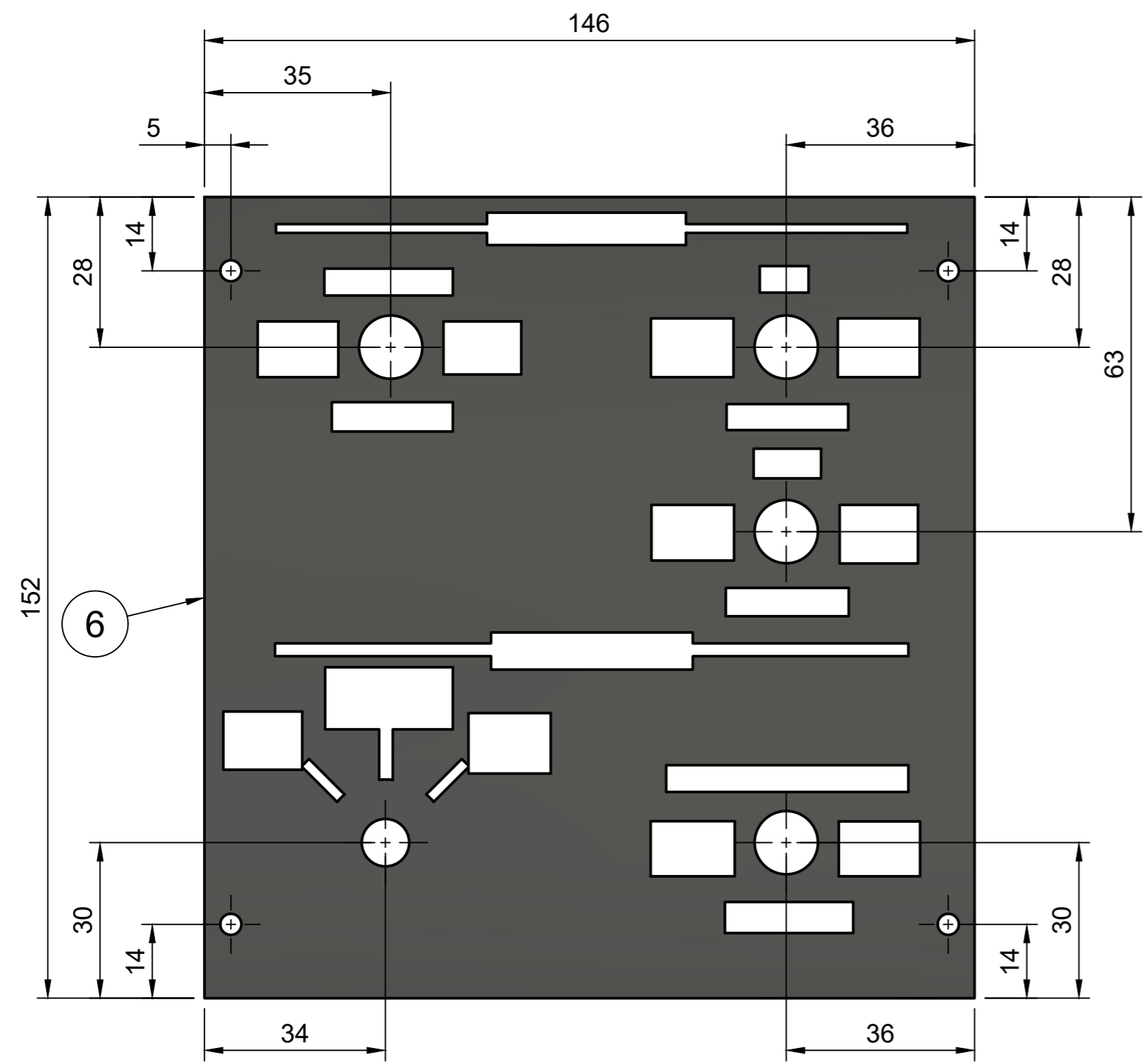
	Created by:		Karl Clarke
			<a href="http://www.737DIYSIM.com">www.737DIYSIM.com</a>
	Title:		ovhd INSTRUMENT TRANSFER
	Rev.	Date of issue	Sheet
			2/4

Parts List			
Item	Qty	Part Number	Part Name
1	1	5mm PERSPEX	INST TFR PANEL FACEPLATE

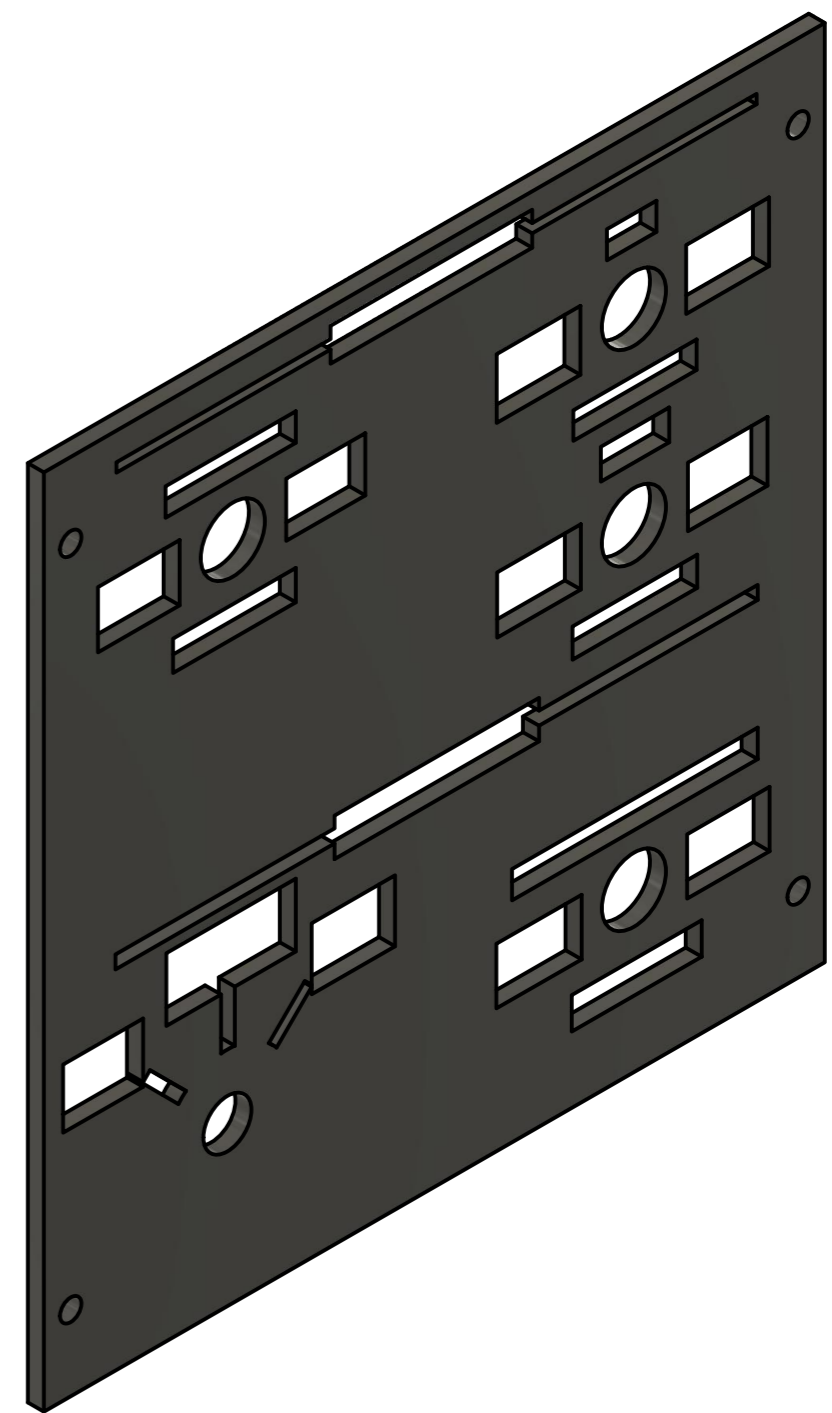


Created by: Karl Clarke		
www.737DIYSIM.com		
Title: ovhd INSTRUMENT TRANSFER		
Rev.	Date of issue	Sheet 3/4

Parts List			
Item	Qty	Part Number	Part Name
6	1	3mm PERSPEX	INST TFR PANEL BACKPLATE



FOR LITEFLOW CUTOUTS SEE CAD DESIGN



Created by: Karl Clarke		
www.737DIYSIM.com		
Title: ovhd INSTRUMENT TRANSFER		
Rev.	Date of issue	Sheet 4/4