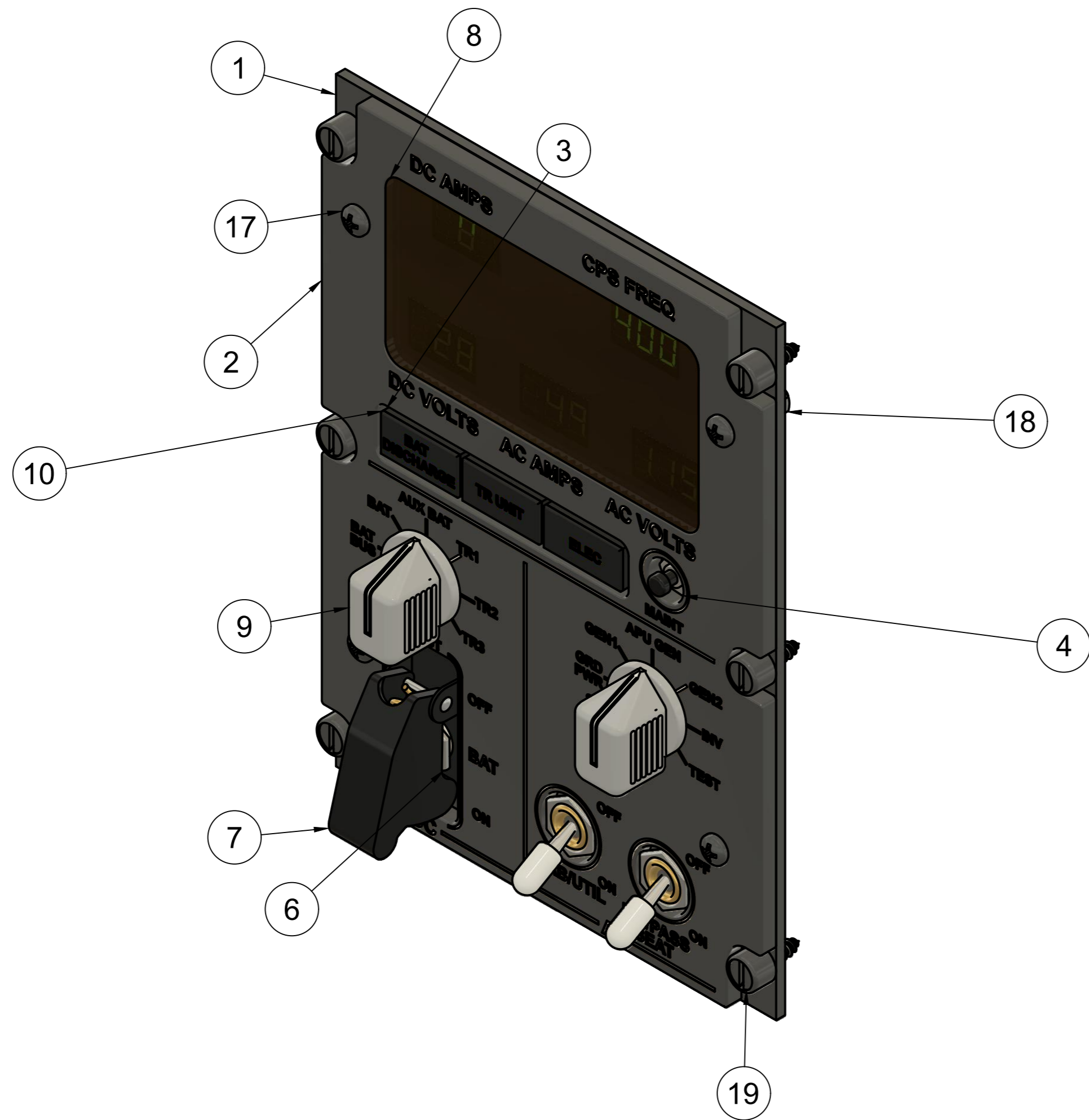



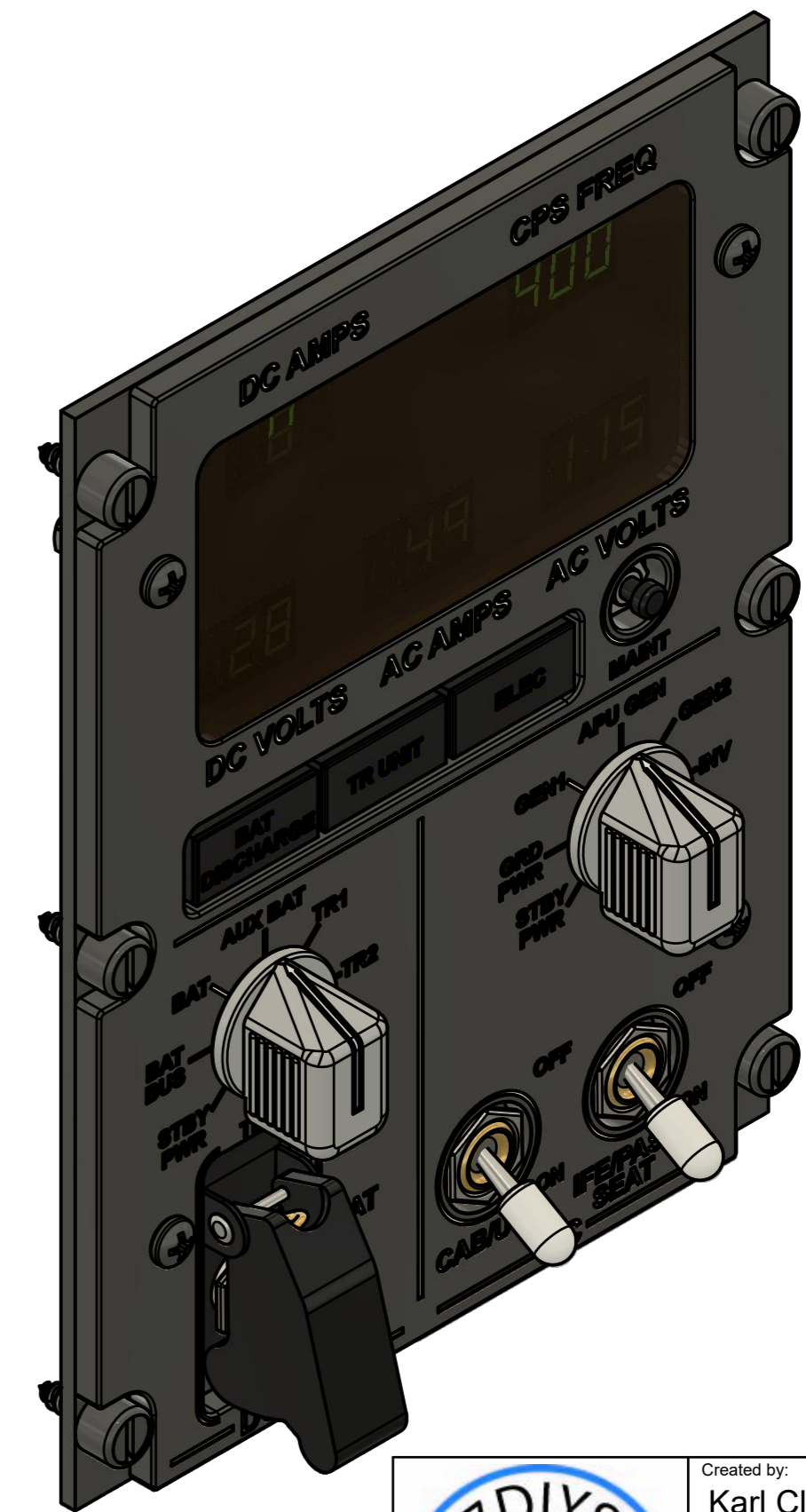
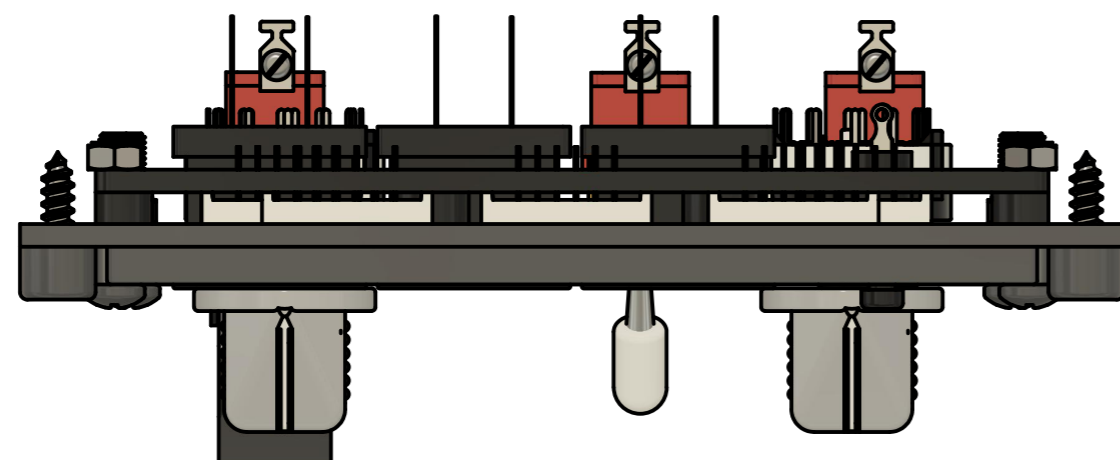
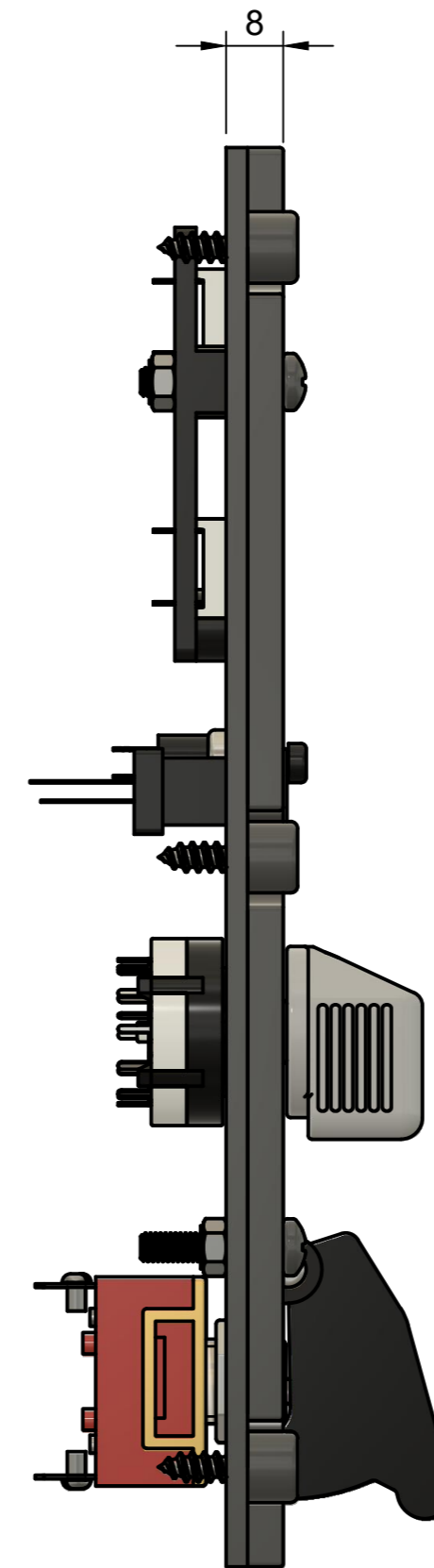
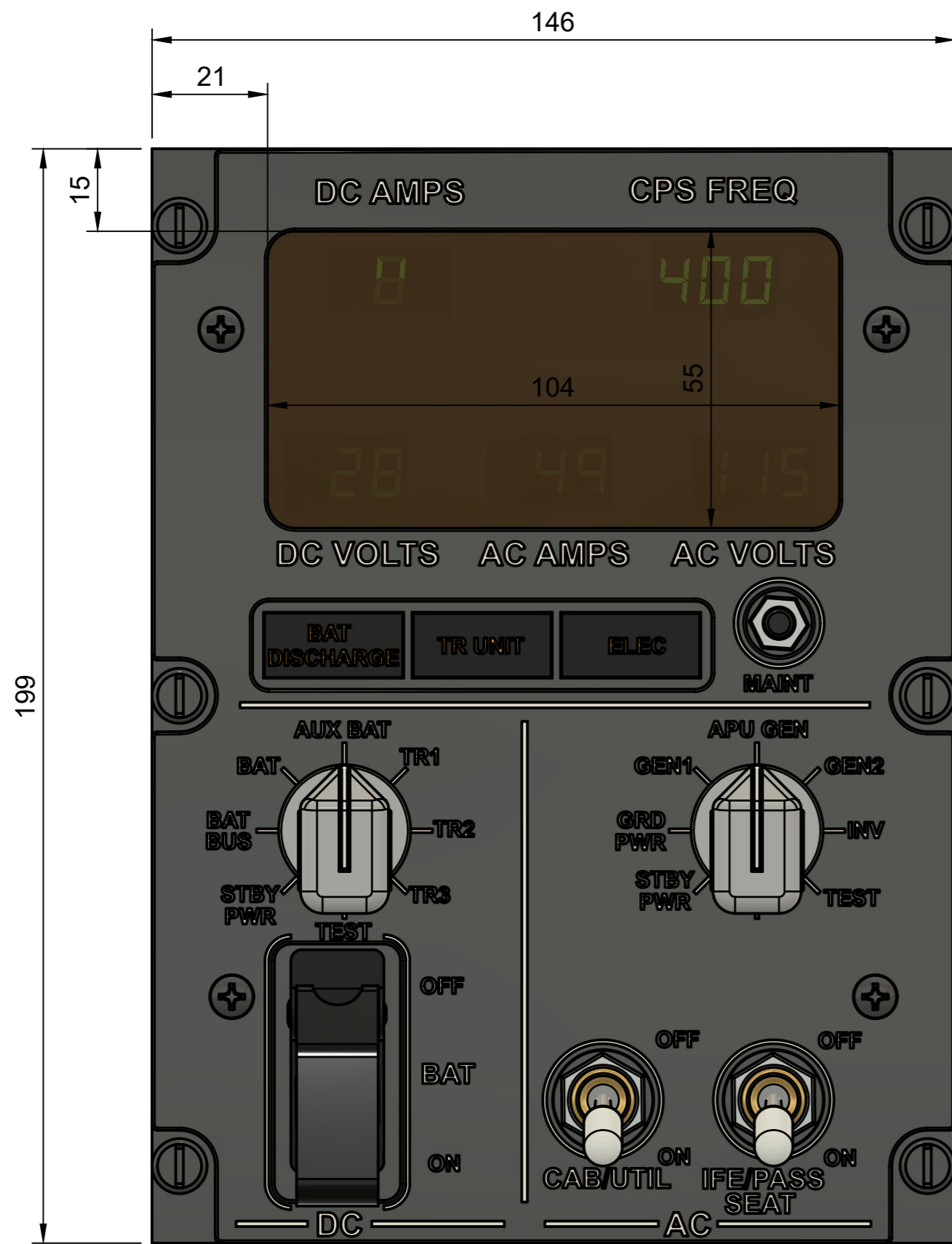
	Created by:	
	Karl Clarke	
	www.737DIYSIM.com	
	Title:	
OVHD ELEC PANEL		
Rev.	Date of issue	Sheet
		1/8



Parts List		
Item	Qty	Part Number
1	1	BACKPLATE
2	1	FACEPLATE
3	3	ANNUNCIATOR BOX V1
4	1	ELEC PUSH BUTTON
5	2	12 POS ROTARY SW NEW
6	3	TOGGLE SWITCH LARGE (NOSE STEERING)
7	1	SAFETY SWITCH GUARD BLACK
8	1	LENS
9	2	737 General Knob
10	1	ANUN LENS
11	2	3 DIGIT 7 SEG v3
12	1	3 DIGIT 7 SEG v3 (1)
13	1	3 DIGIT 7 SEG v3 (2)
14	1	3 DIGIT 7 SEG v3 (3)
15	1	3 DIGIT 7 SEG v3 (3) (1)
16	1	Component15
17	4	M4 X 20MM
18	4	M4 NUT
19	6	DZUS FASTENER PLASTIC



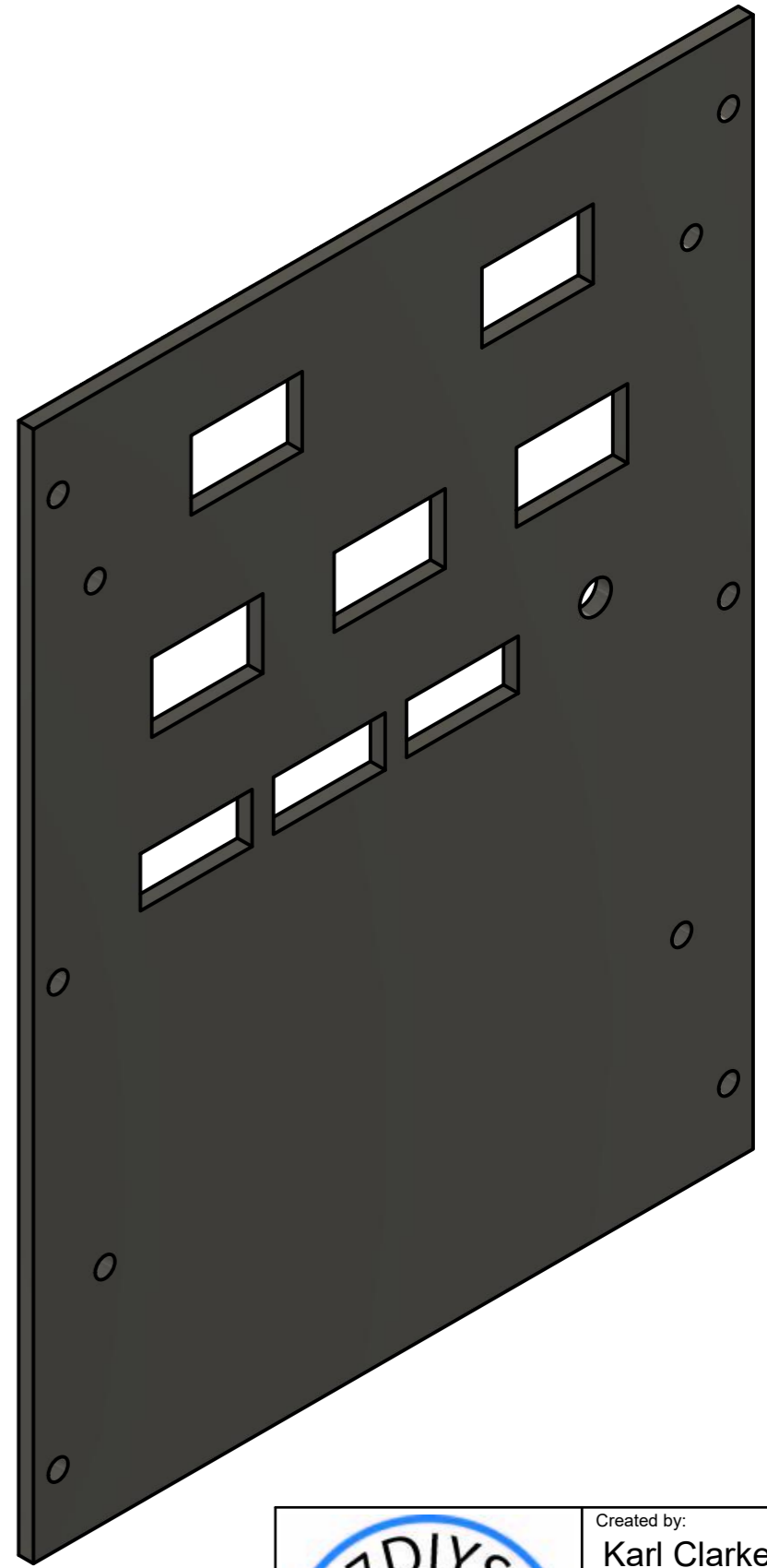
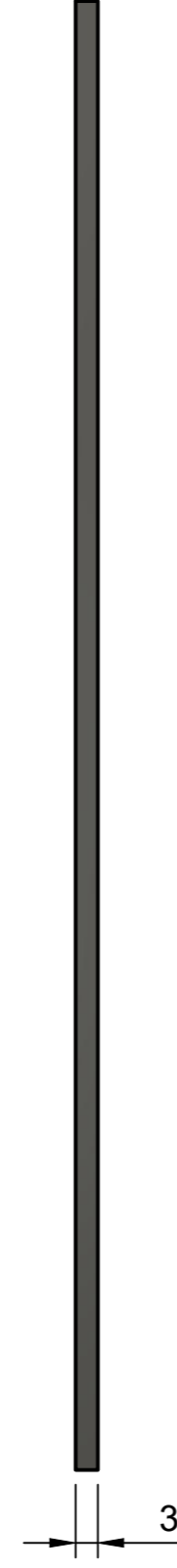
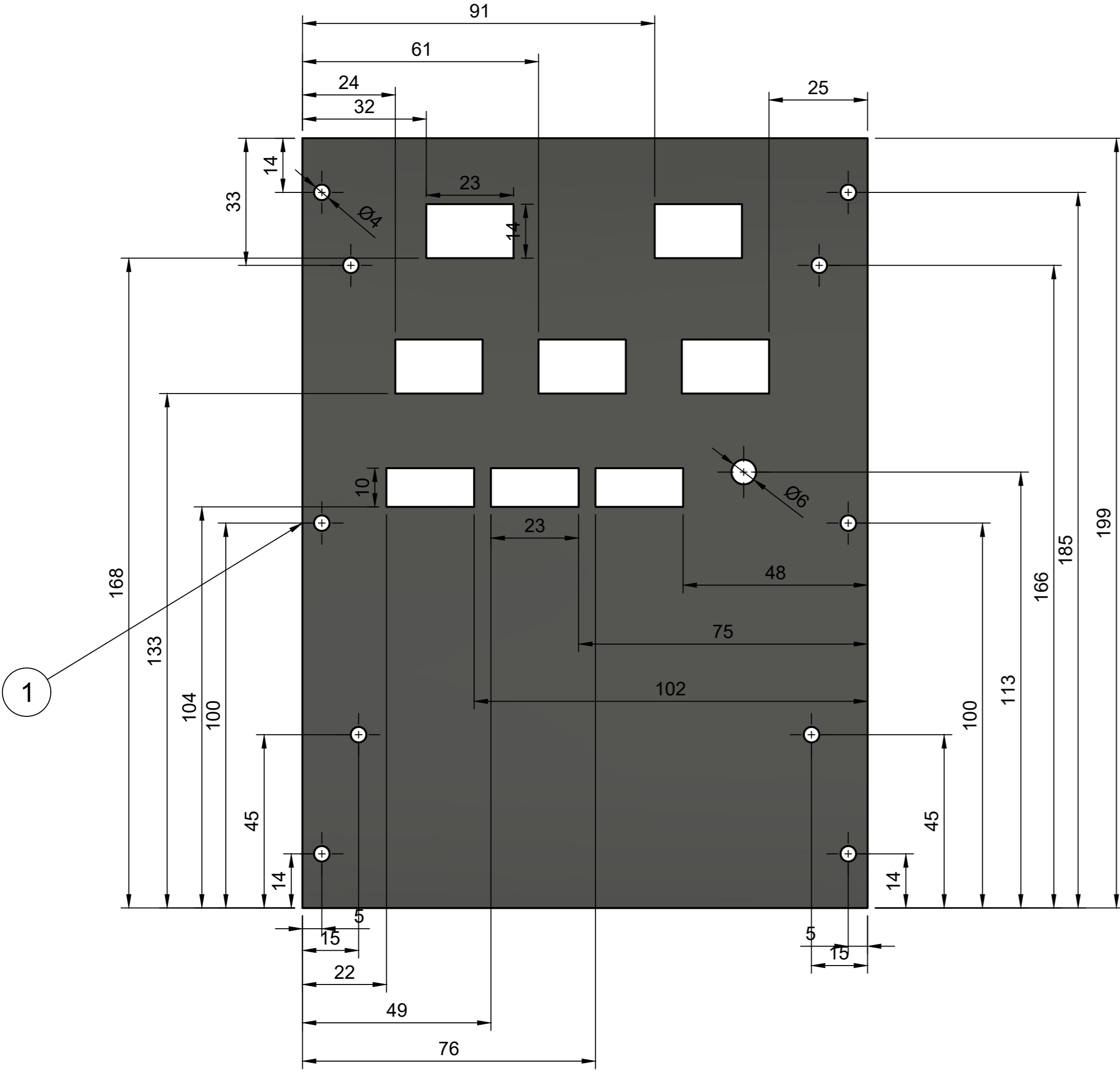
Created by:		
Karl Clarke		
www.737DIYSIM.com		
Title:		
OVHD ELEC PANEL		
Rev.	Date of issue	Sheet
		2/8



Created by: Karl Clarke		
www.737DIYSIM.com		
Title: OVHD ELEC PANEL		
Rev.	Date of issue	Sheet 3/8

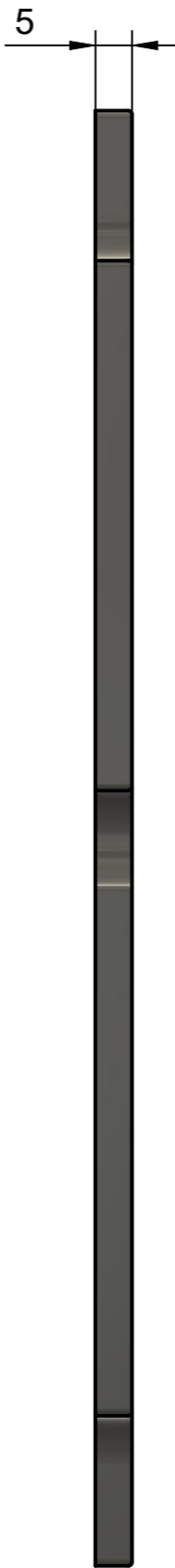
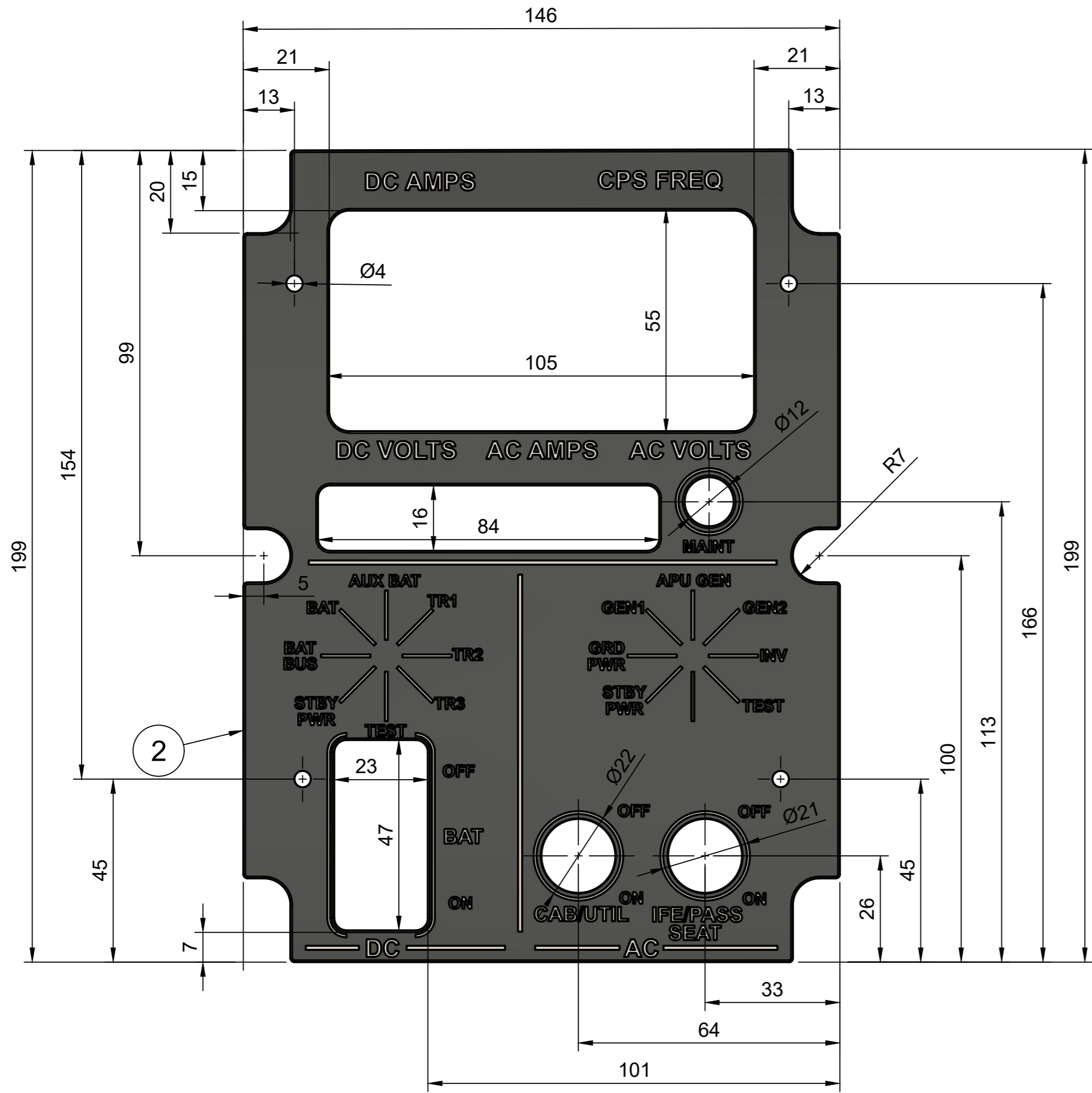
Parts List				
Item	Qty	Part Number	Description	Material
1	1	BACKPLATE		Steel

FOR FULL DIMENSIONS SEE CAD DESIGN

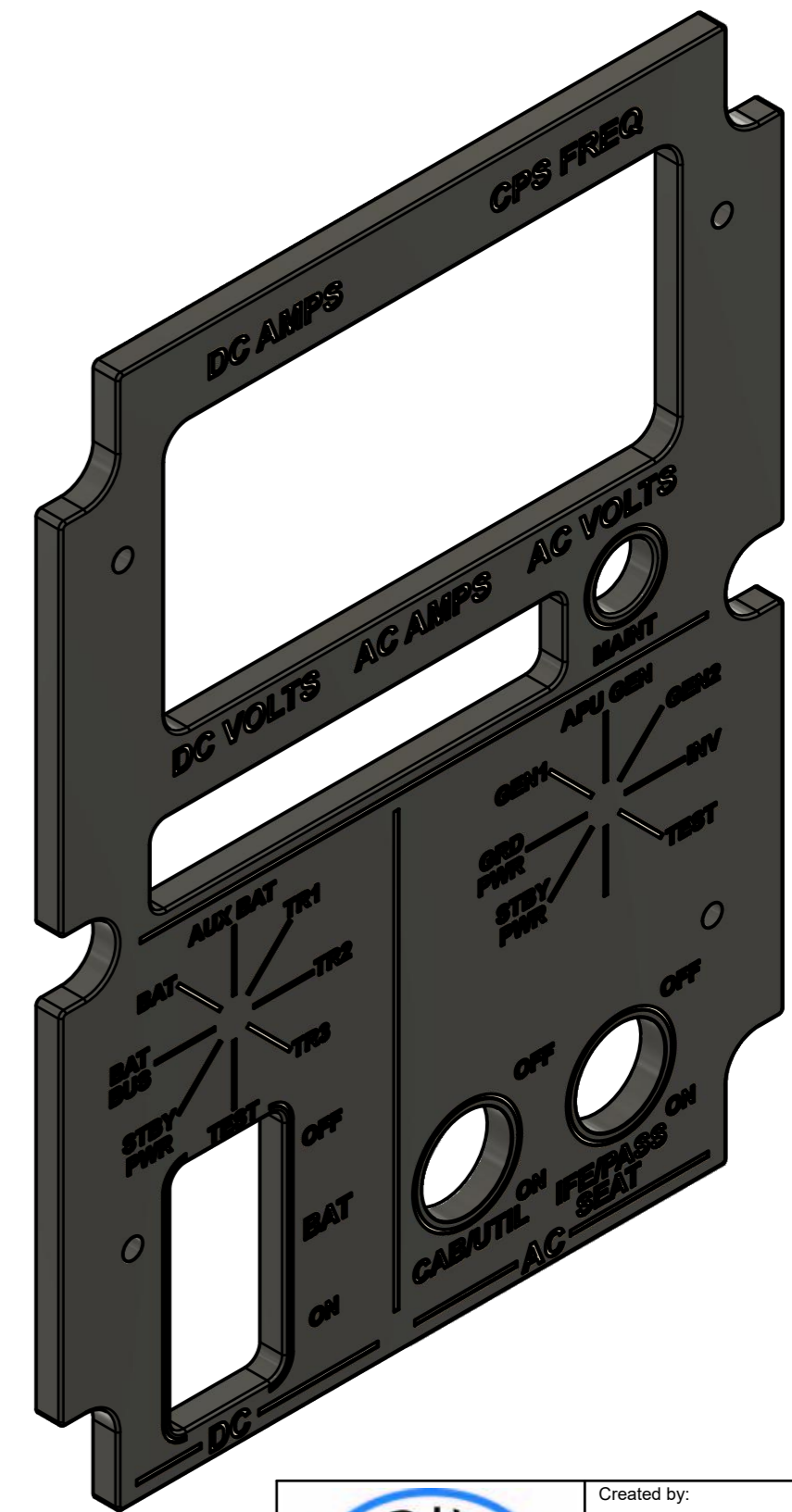


Created by: Karl Clarke		
www.737DIYSIM.com		
Title: OVHD ELEC PANEL		
Rev.	Date of issue	Sheet 4/8

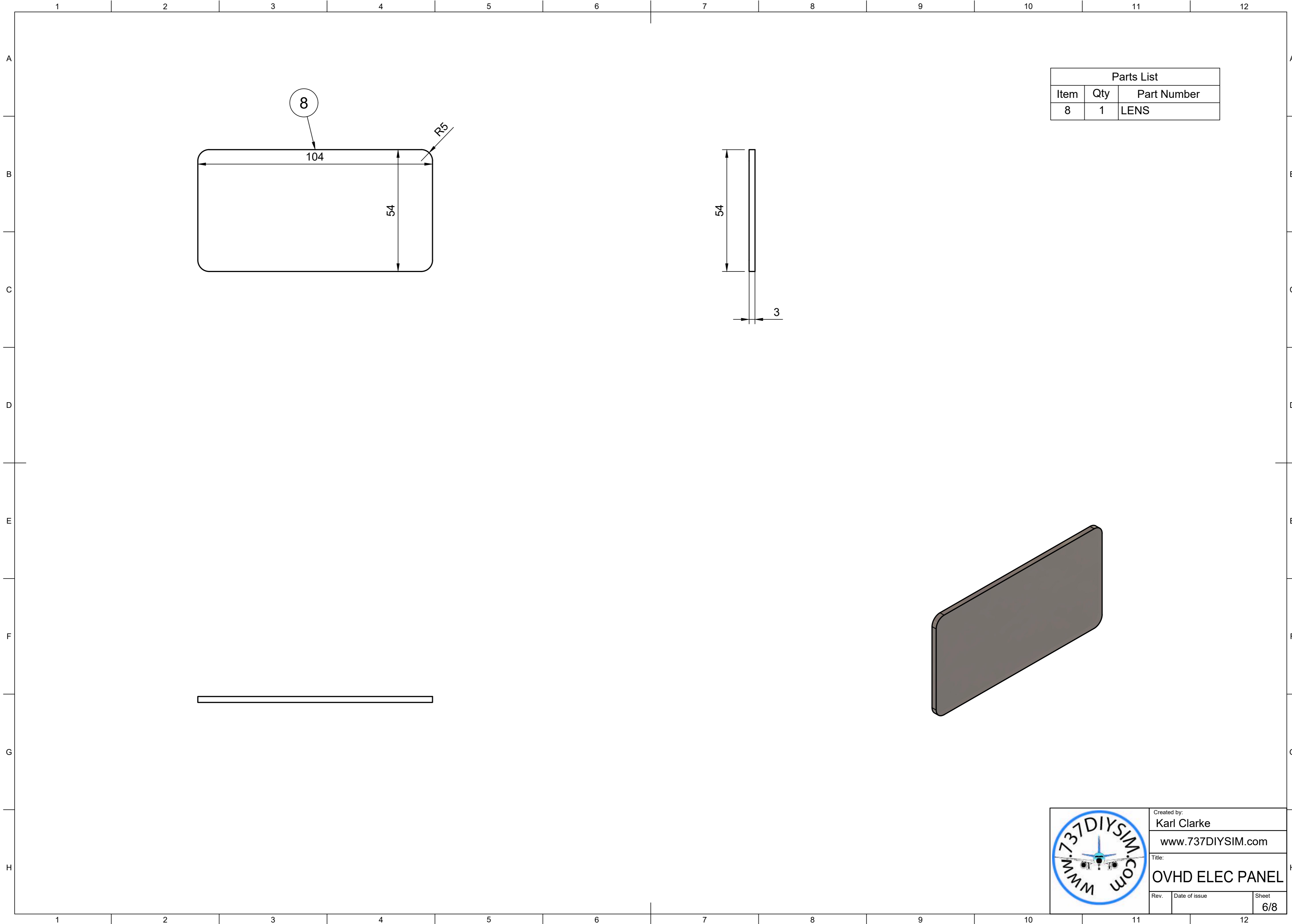
Parts List		
Item	Qty	Part Number
2	1	FACEPLATE



FOR FULL DIMENSIONS SEE CAD DESIGN



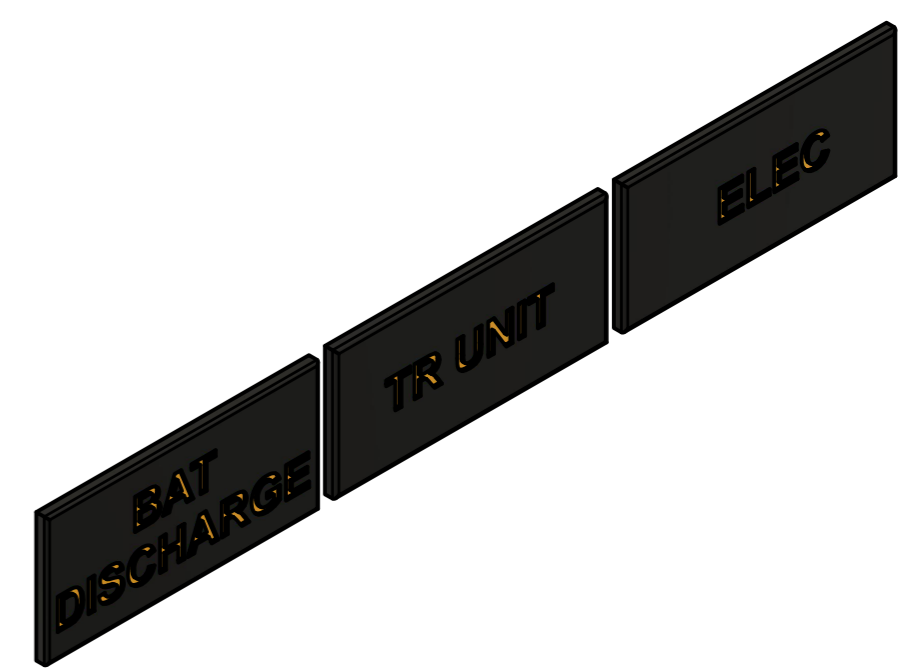
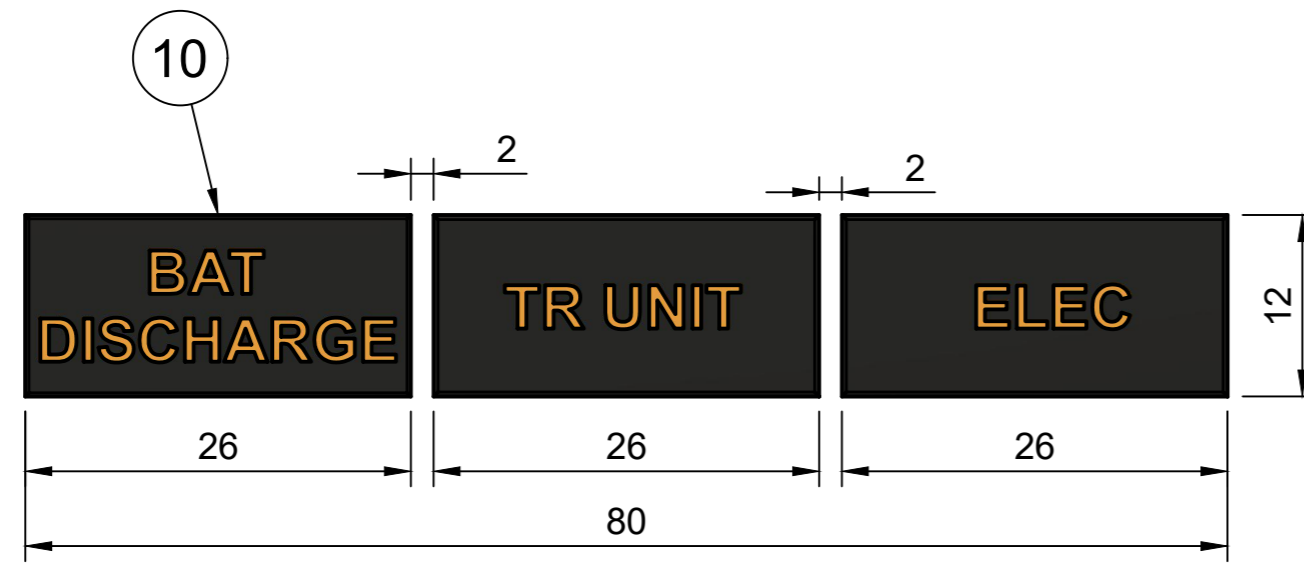
Created by: Karl Clarke		
www.737DIYSIM.com		
Title: OVHD ELEC PANEL		
Rev.	Date of issue	Sheet 5/8



Parts List		
Item	Qty	Part Number
8	1	LENS

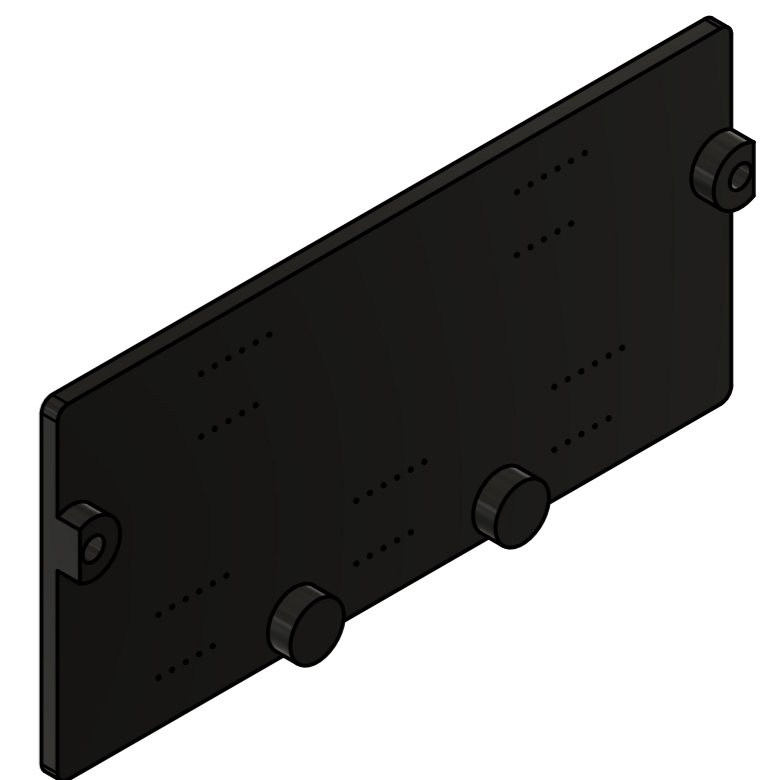
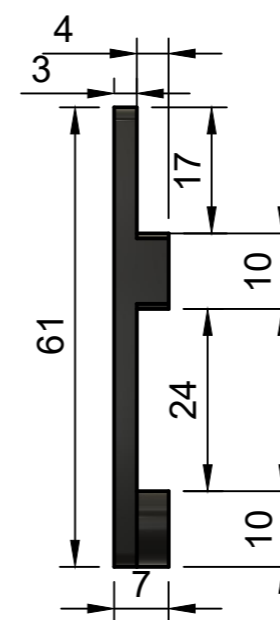
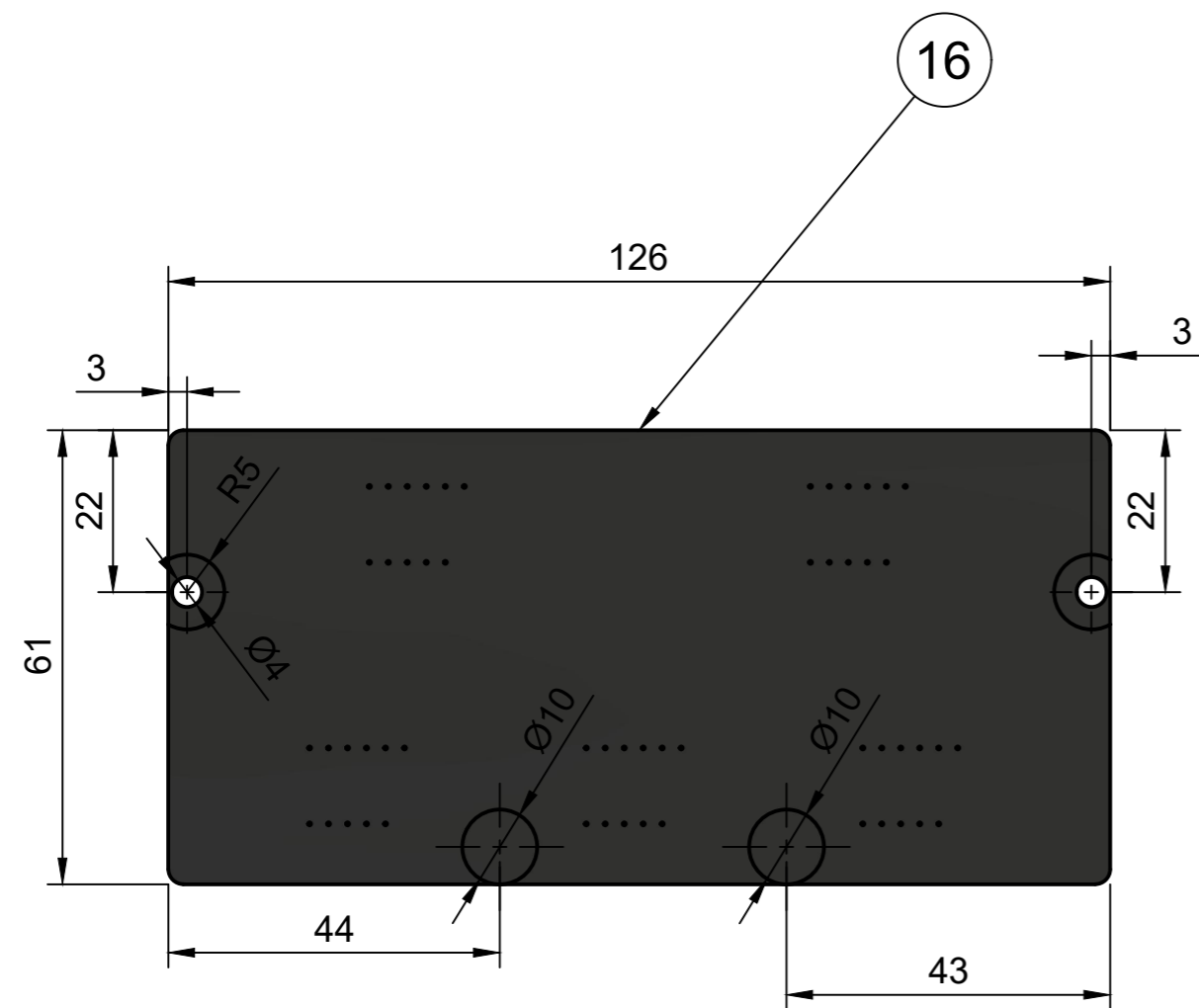
	Created by: Karl Clarke	
	www.737DIYSIM.com	
	Title: OVHD ELEC PANEL	
Rev.	Date of issue	Sheet 6/8

Parts List		
Item	Qty	Part Number
10	1	ANUN LENS



	Created by:		Karl Clarke
			www.737DIYSIM.com
	Title:		OVHD ELEC PANEL
	Rev.	Date of issue	Sheet
			7/8

Parts List		
Item	Qty	Part Number
16	1	Component15



Created by: Karl Clarke		
www.737DIYSIM.com		
Title: OVHD ELEC PANEL		
Rev.	Date of issue	Sheet 8/8