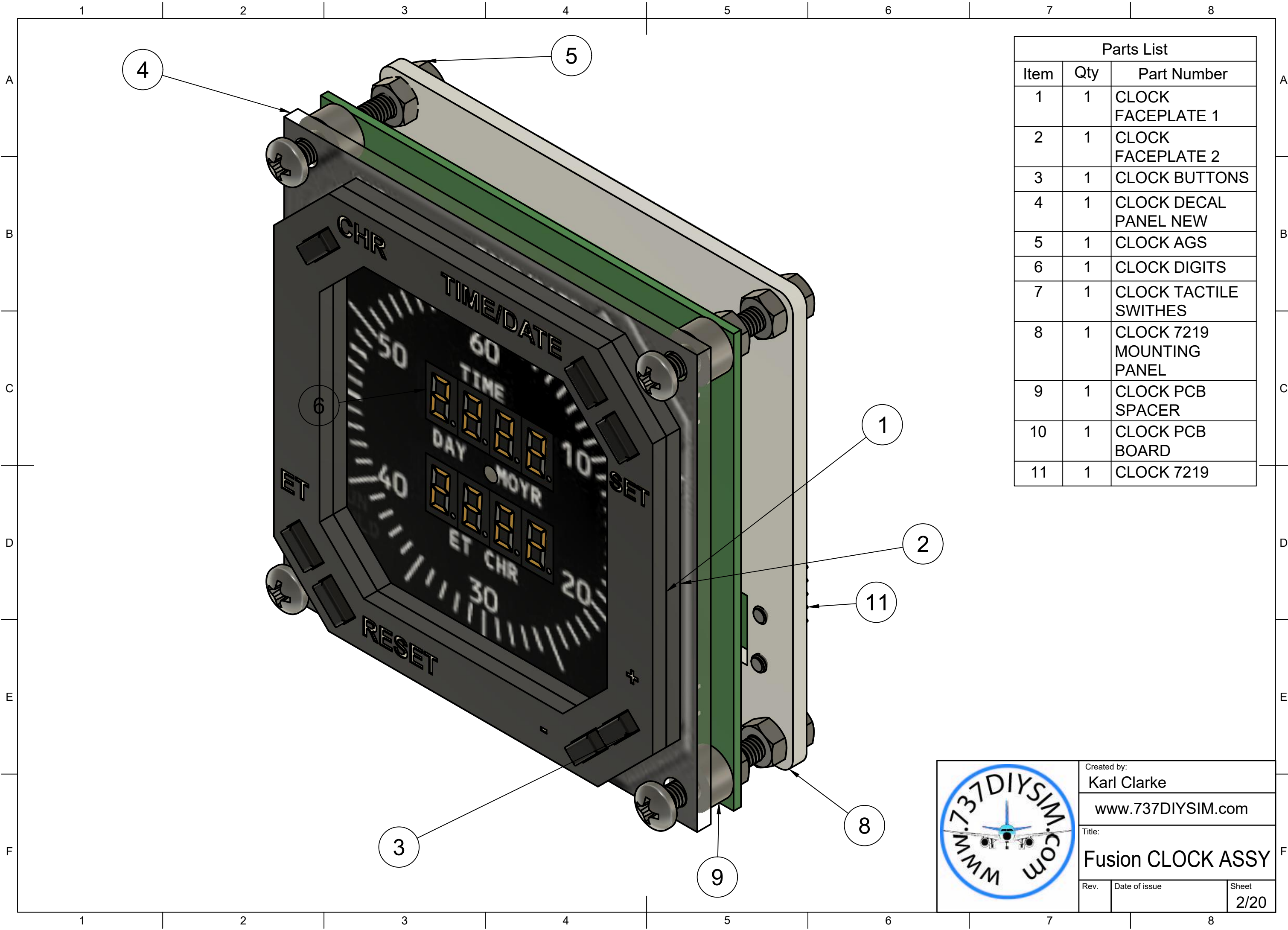


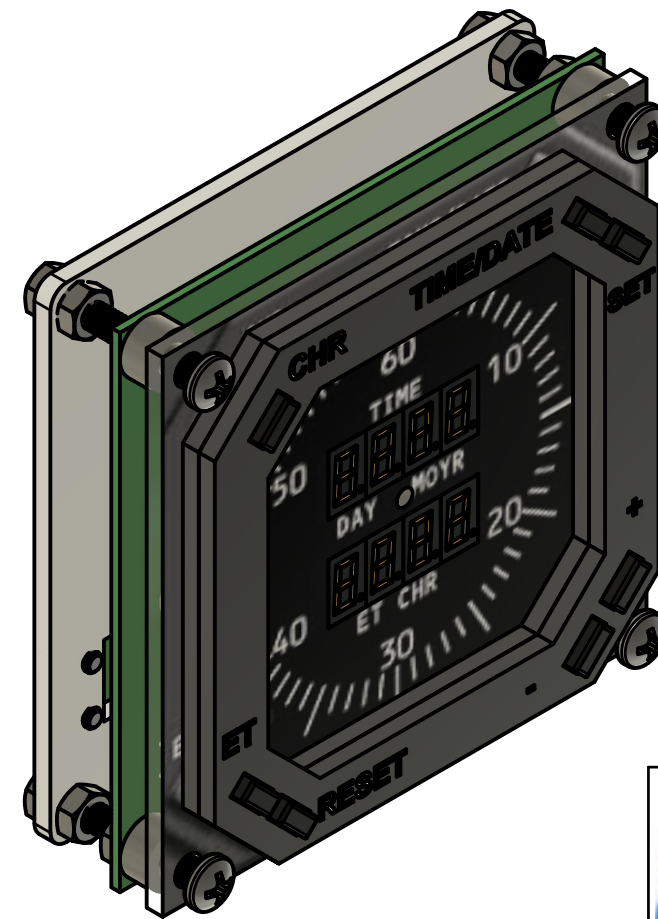
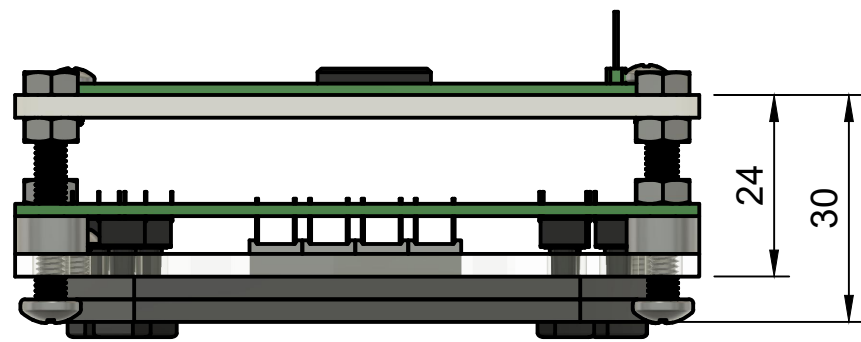
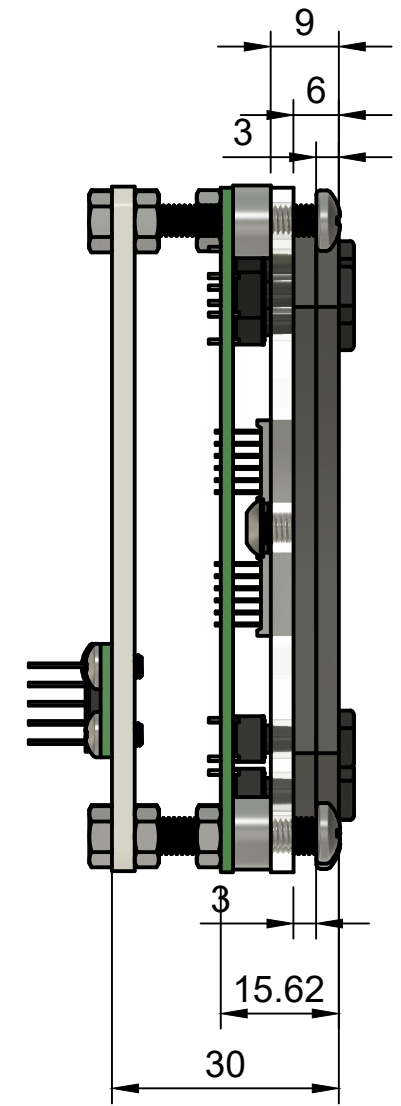
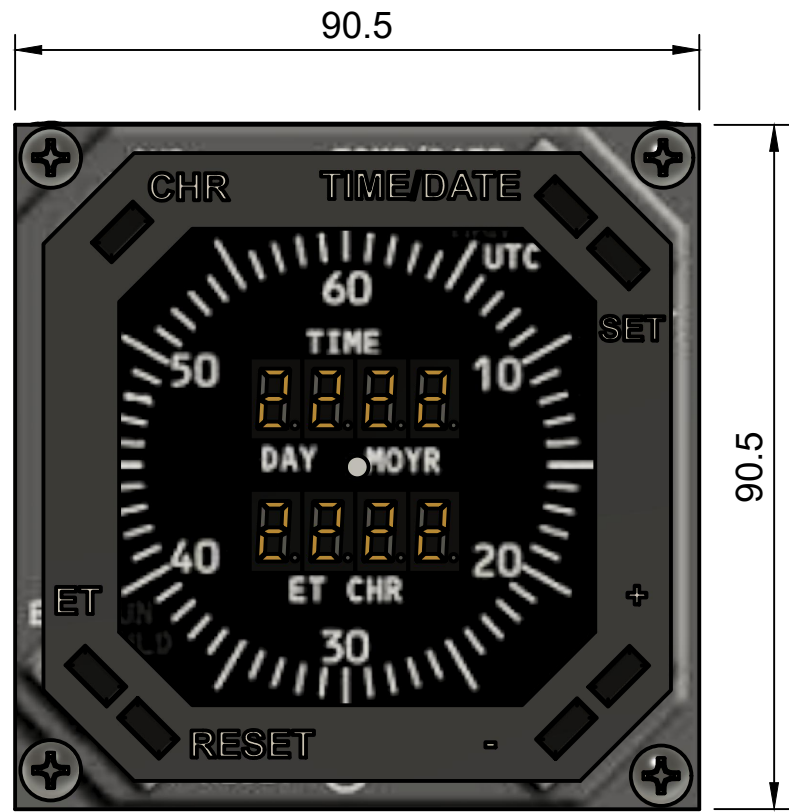
	Created by: Karl Clarke	
	www.737DIYSIM.com	
	Title: Fusion CLOCK ASSY	
Rev.	Date of issue	Sheet 1/20



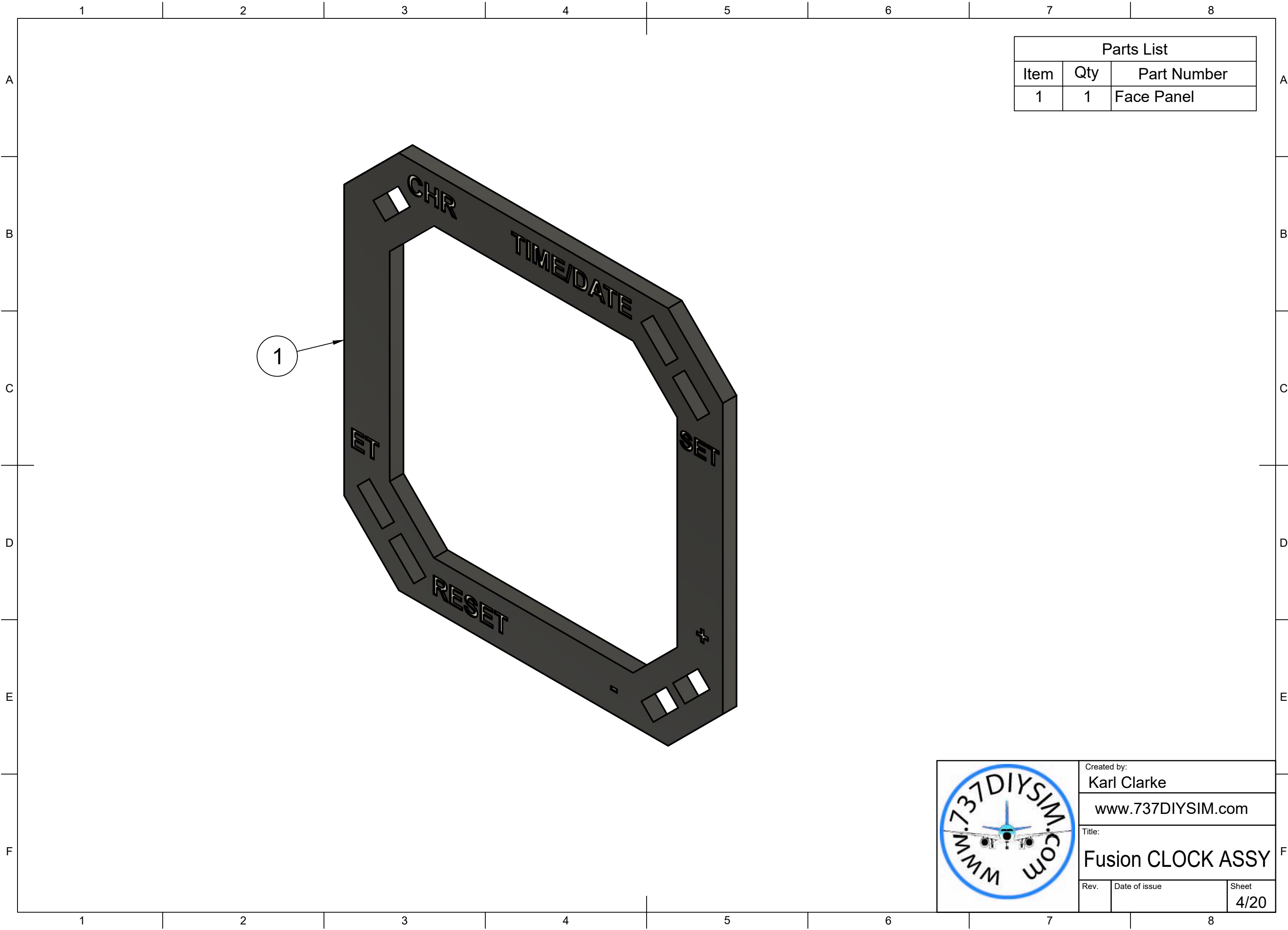
Parts List		
Item	Qty	Part Number
1	1	CLOCK FACEPLATE 1
2	1	CLOCK FACEPLATE 2
3	1	CLOCK BUTTONS
4	1	CLOCK DECAL PANEL NEW
5	1	CLOCK AGS
6	1	CLOCK DIGITS
7	1	CLOCK TACTILE SWITCHES
8	1	CLOCK 7219 MOUNTING PANEL
9	1	CLOCK PCB SPACER
10	1	CLOCK PCB BOARD
11	1	CLOCK 7219



Created by: Karl Clarke		
www.737DIYSIM.com		
Title: Fusion CLOCK ASSY		
Rev.	Date of issue	Sheet 2/20



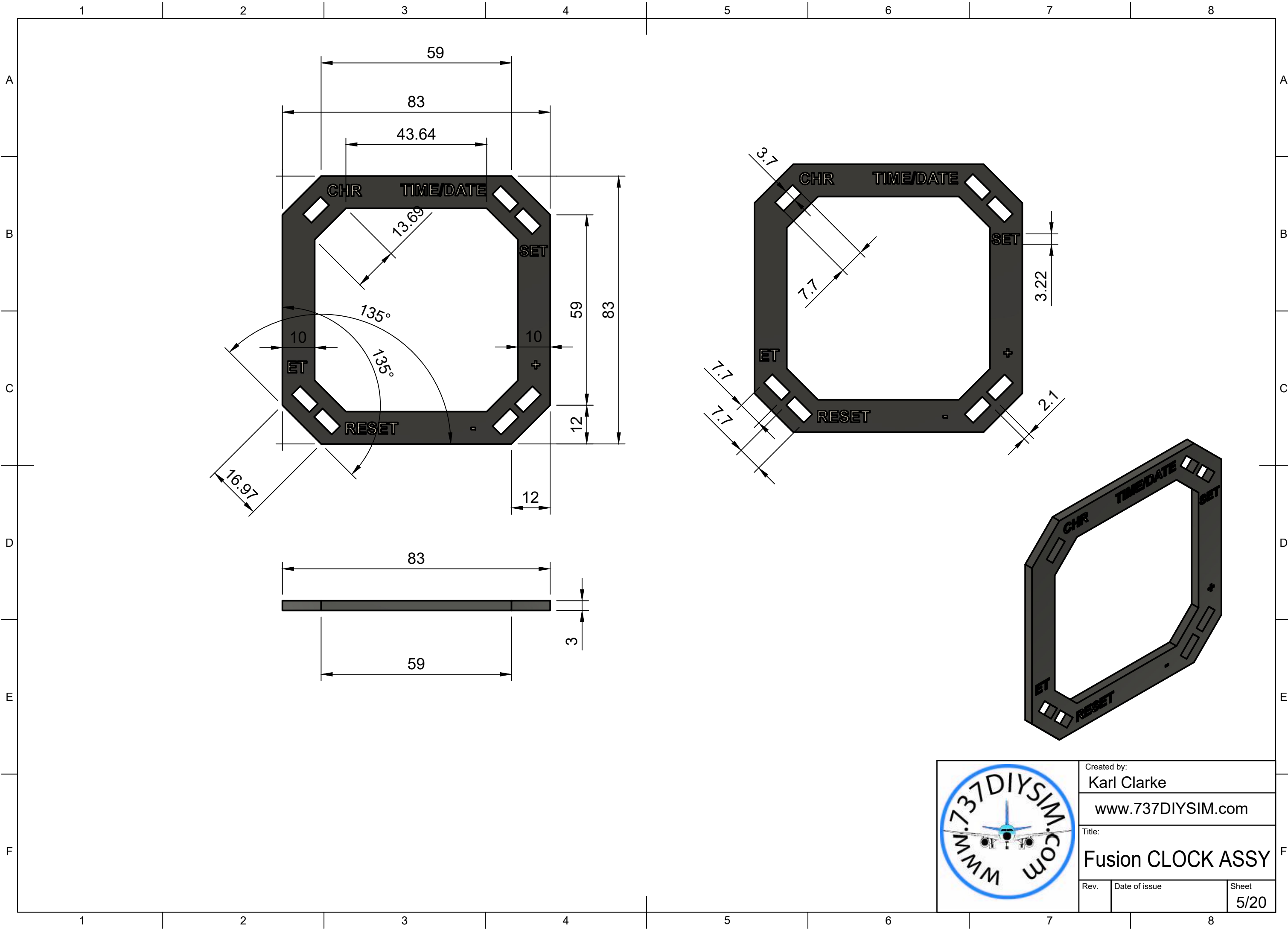
Created by: Karl Clarke		
www.737DIYSIM.com		
Title: Fusion CLOCK ASSY		
Rev.	Date of issue	Sheet 3/20




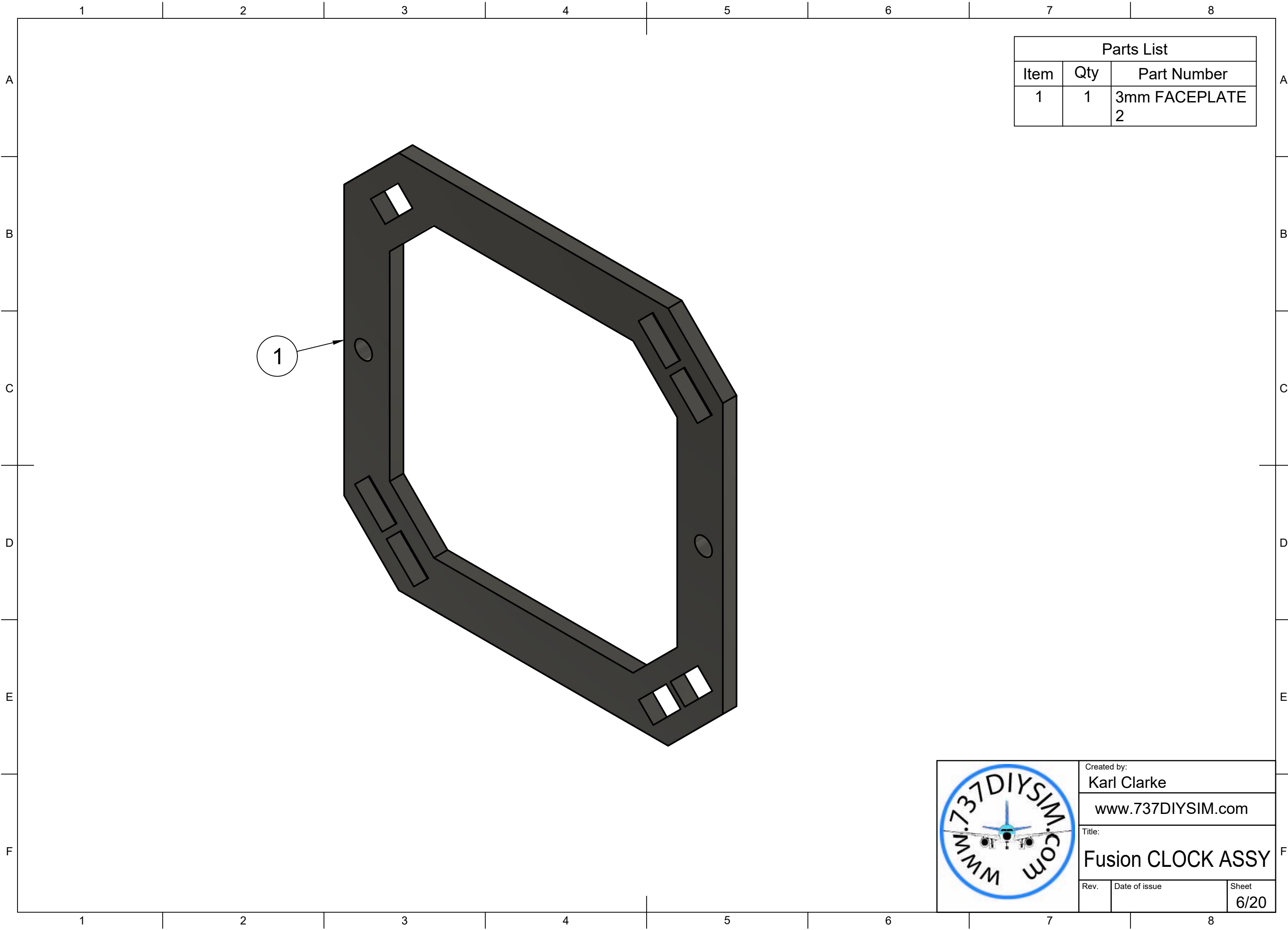
Parts List		
Item	Qty	Part Number
1	1	Face Panel



Created by: Karl Clarke		
www.737DIYSIM.com		
Title: Fusion CLOCK ASSY		
Rev.	Date of issue	Sheet 4/20



	Created by:	
	Karl Clarke	
	www.737DIYSIM.com	
Title:		
Fusion CLOCK ASSY		
Rev.	Date of issue	Sheet
		5/20

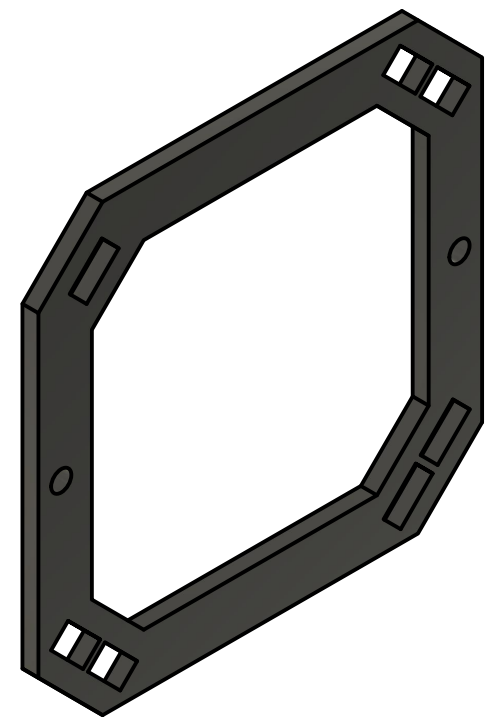
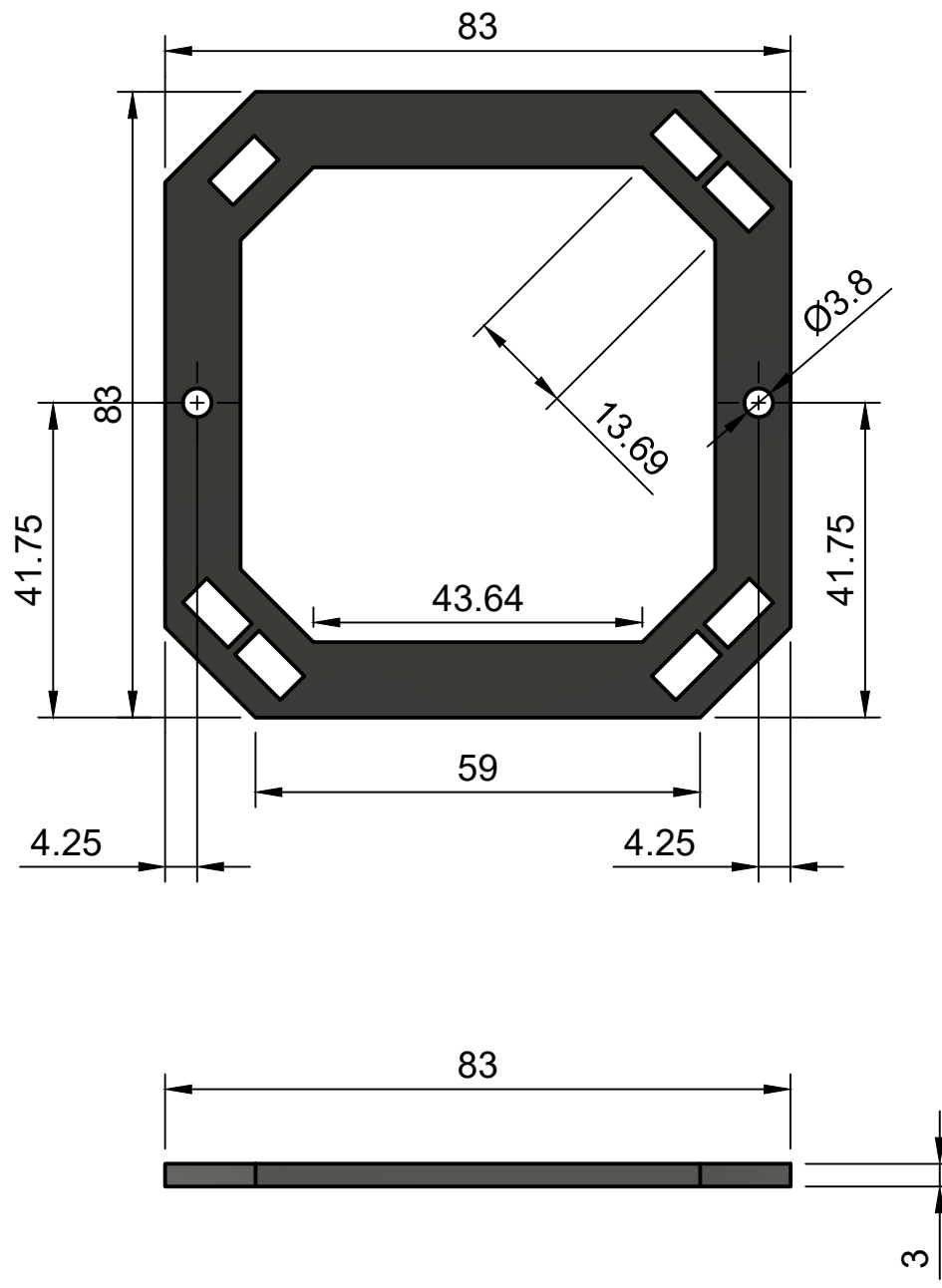


Parts List		
Item	Qty	Part Number
1	1	3mm FACEPLATE
	2	

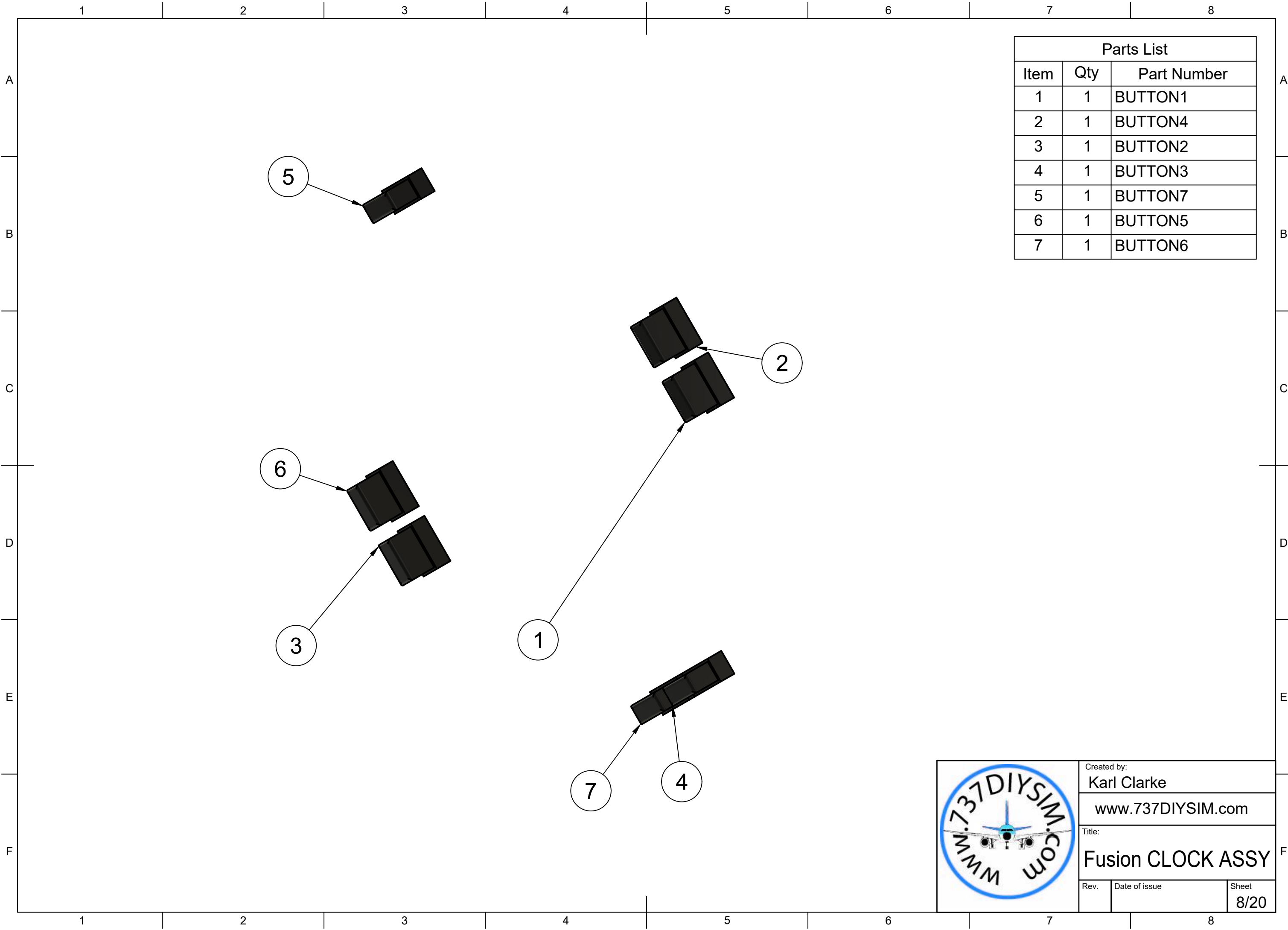
1



Created by: Karl Clarke		
www.737DIYSIM.com		
Title: Fusion CLOCK ASSY		
Rev.	Date of issue	Sheet 6/20



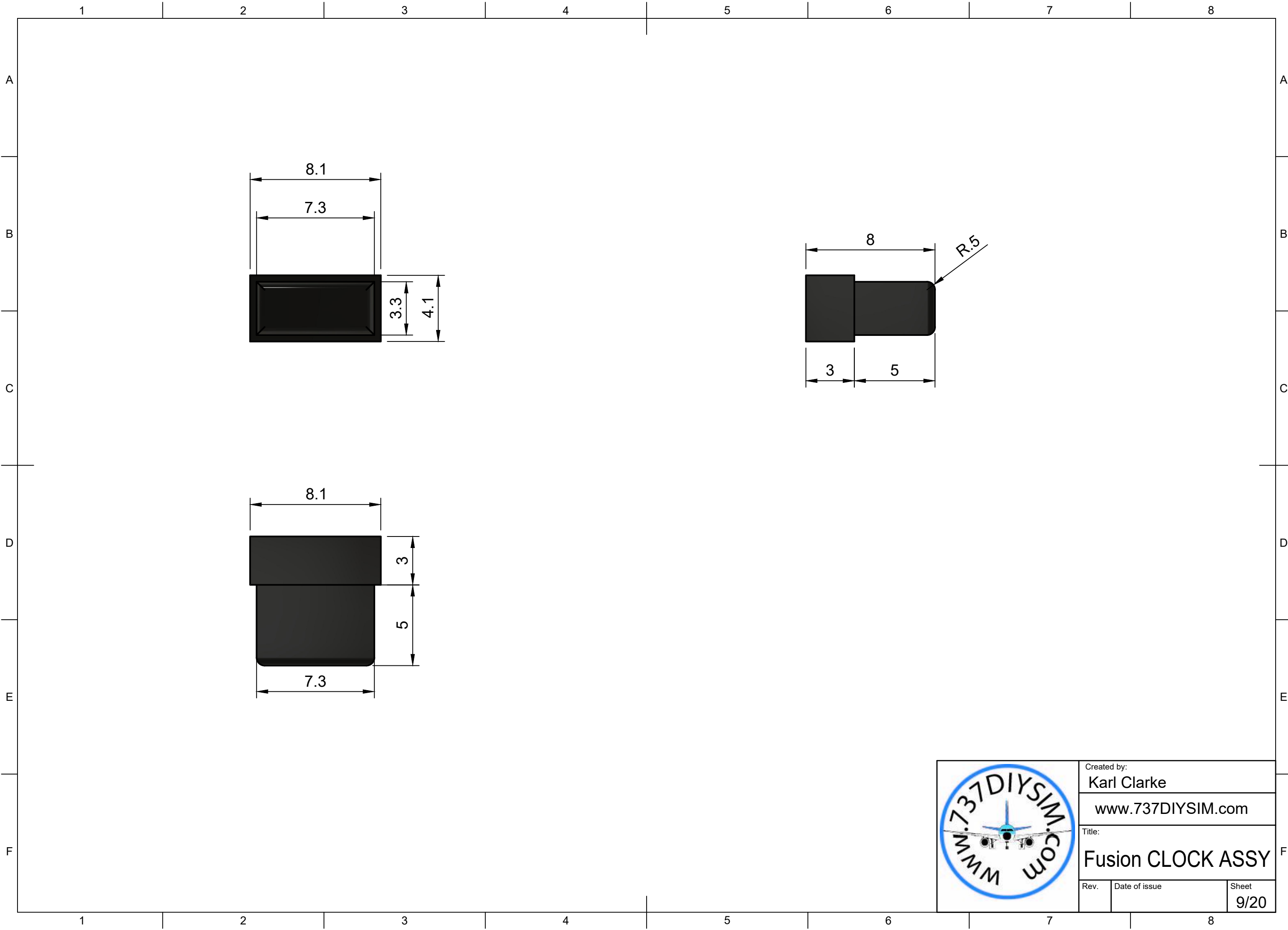
Created by:		
Karl Clarke		
www.737DIYSIM.com		
Title:		
Fusion CLOCK ASSY		
Rev.	Date of issue	Sheet
		7/20




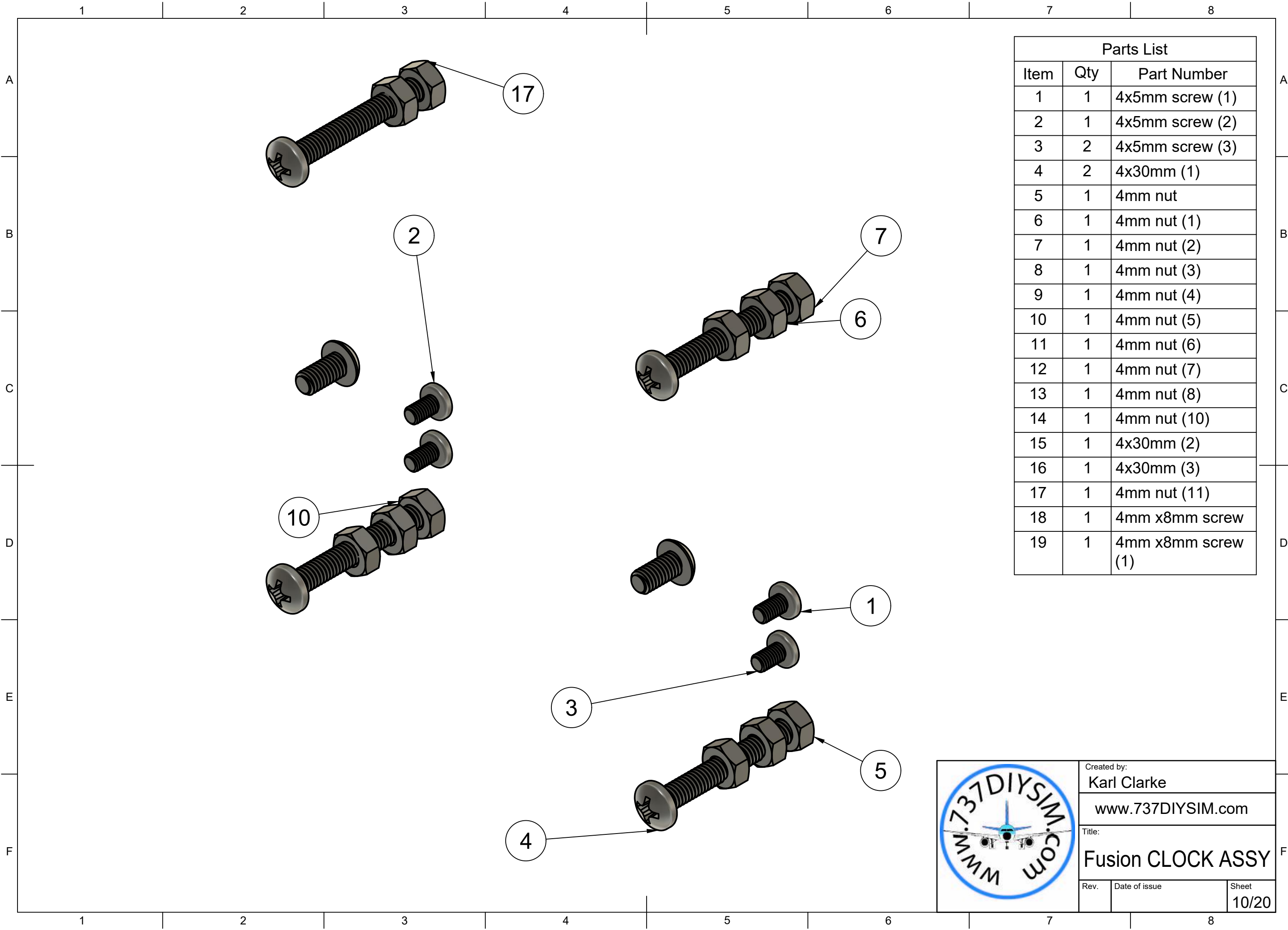
Parts List		
Item	Qty	Part Number
1	1	BUTTON1
2	1	BUTTON4
3	1	BUTTON2
4	1	BUTTON3
5	1	BUTTON7
6	1	BUTTON5
7	1	BUTTON6




Created by: Karl Clarke		
www.737DIYSIM.com		
Title: Fusion CLOCK ASSY		
Rev.	Date of issue	Sheet 8/20



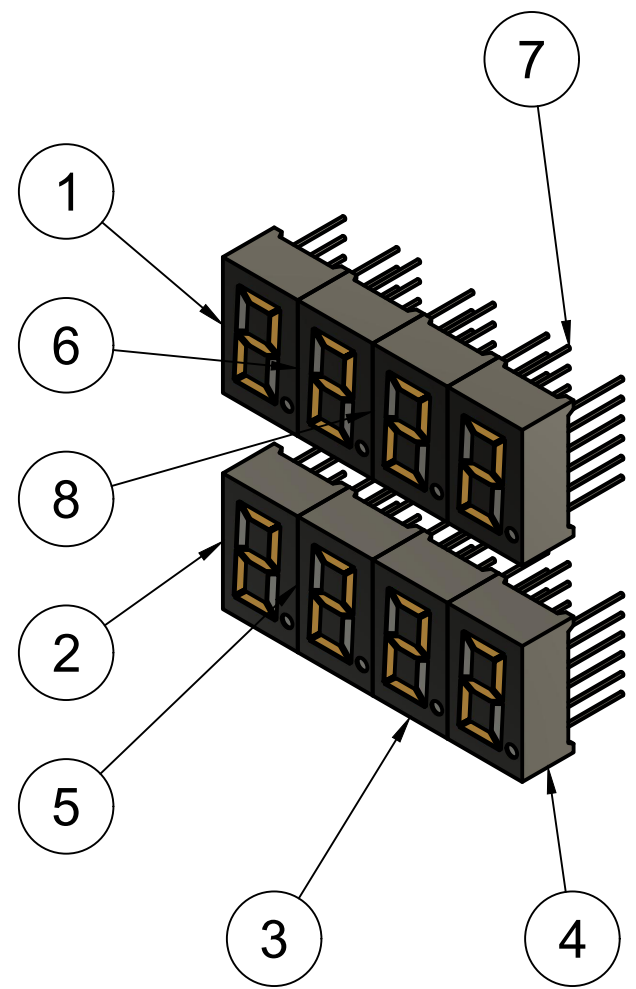
	Created by:	
	Karl Clarke	
	www.737DIYSIM.com	
	Title:	
Fusion CLOCK ASSY		
Rev.	Date of issue	Sheet
		9/20



Parts List		
Item	Qty	Part Number
1	1	4x5mm screw (1)
2	1	4x5mm screw (2)
3	2	4x5mm screw (3)
4	2	4x30mm (1)
5	1	4mm nut
6	1	4mm nut (1)
7	1	4mm nut (2)
8	1	4mm nut (3)
9	1	4mm nut (4)
10	1	4mm nut (5)
11	1	4mm nut (6)
12	1	4mm nut (7)
13	1	4mm nut (8)
14	1	4mm nut (10)
15	1	4x30mm (2)
16	1	4x30mm (3)
17	1	4mm nut (11)
18	1	4mm x8mm screw
19	1	4mm x8mm screw (1)

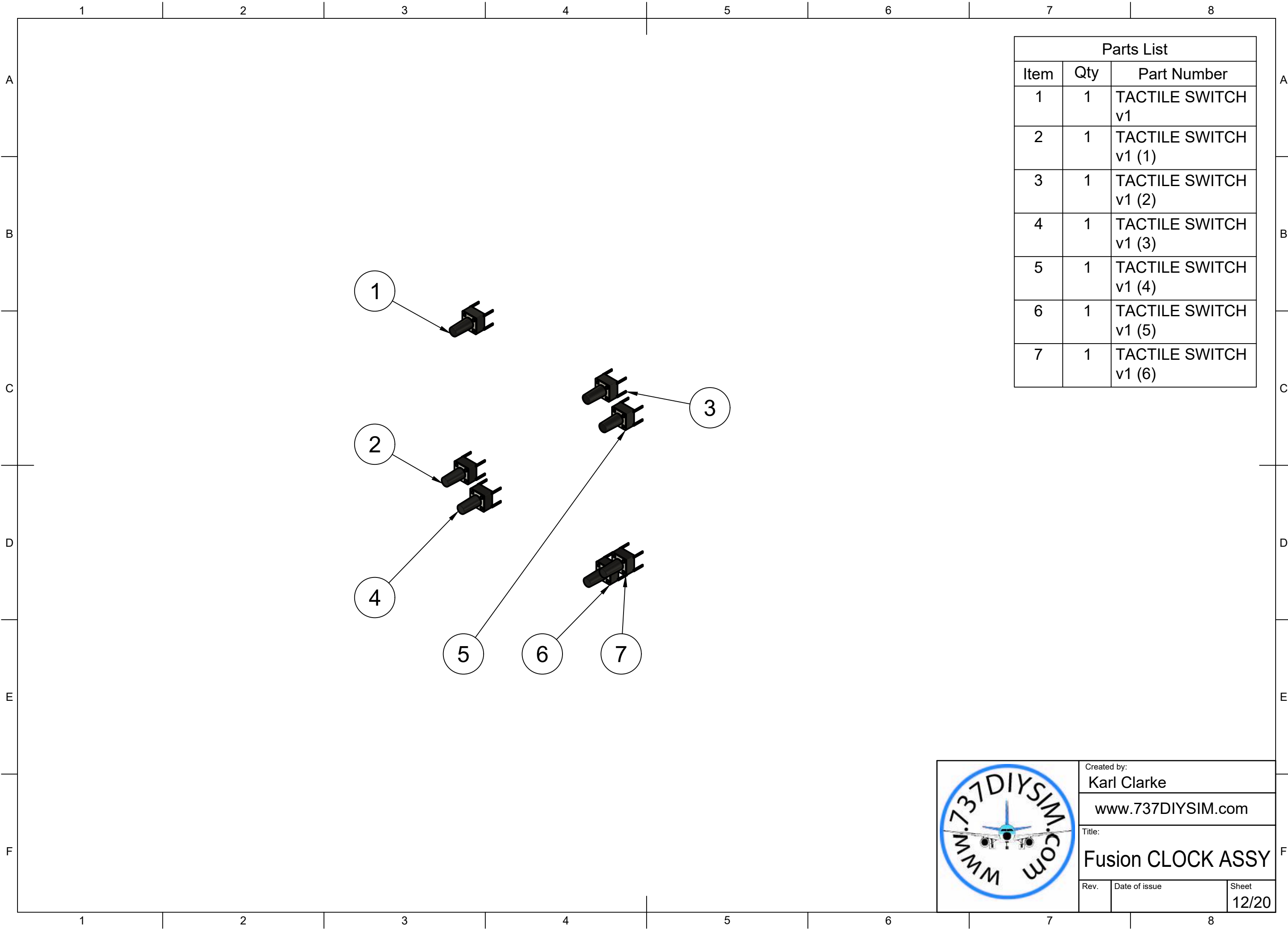


Created by: Karl Clarke		
www.737DIYSIM.com		
Title: Fusion CLOCK ASSY		
Rev.	Date of issue	Sheet 10/20



Parts List		
Item	Qty	Part Number
1	1	0.36" digit yellow
2	1	0.36" digit yellow (1)
3	1	0.36" digit yellow (2)
4	1	0.36" digit yellow (3)
5	1	0.36" digit yellow (4)
6	1	0.36" digit yellow (5)
7	1	0.36" digit yellow (6)
8	1	0.36" digit yellow (7)

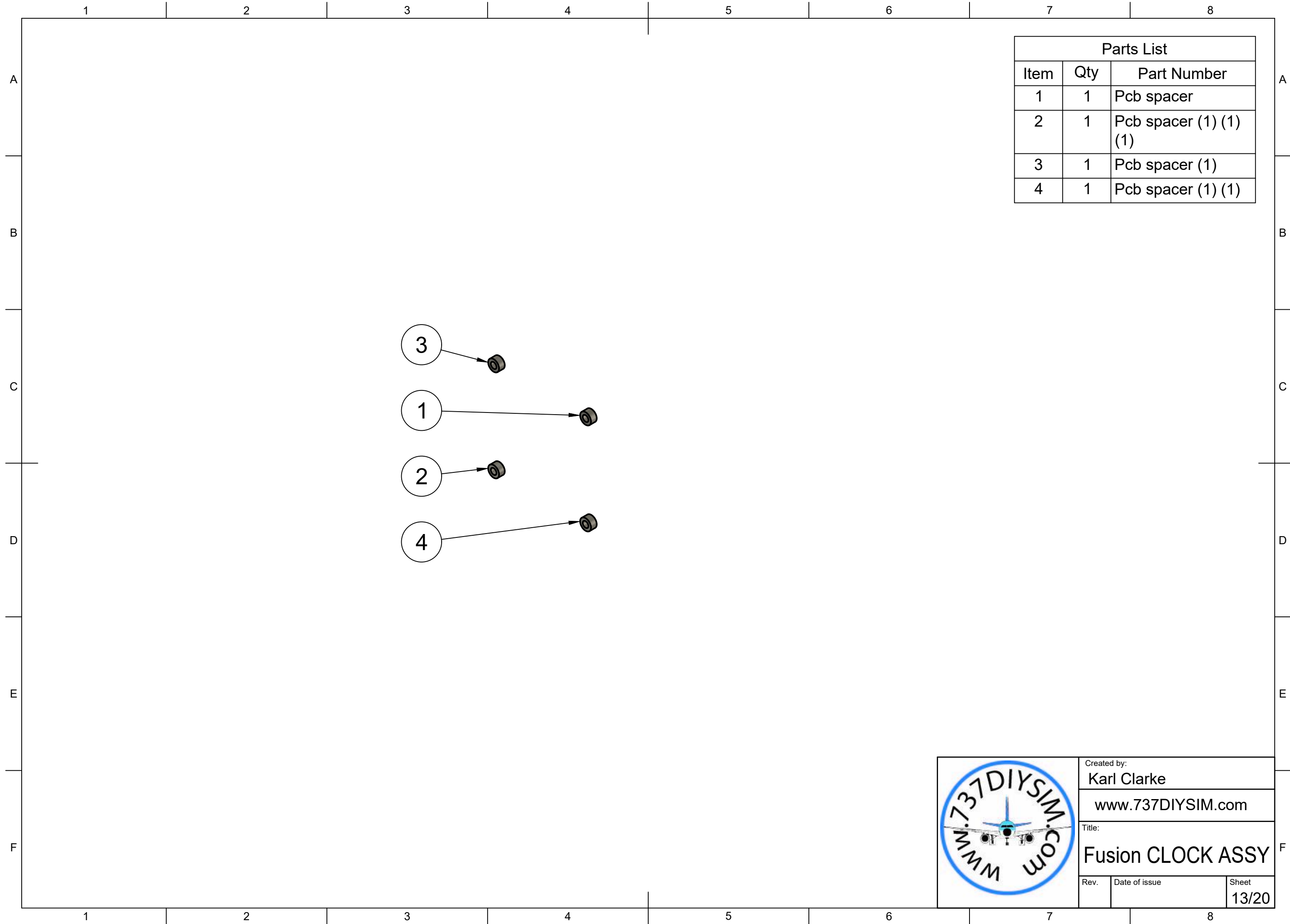
	Created by:	
	Karl Clarke	
	www.737DIYSIM.com	
Title:		
Fusion CLOCK ASSY		
Rev.	Date of issue	Sheet
		11/20



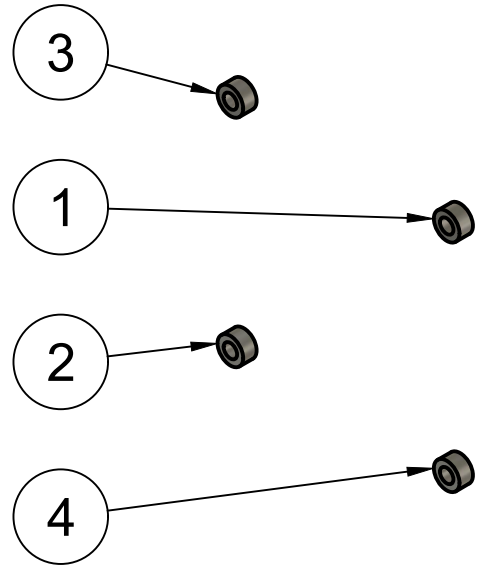
Parts List		
Item	Qty	Part Number
1	1	TACTILE SWITCH v1
2	1	TACTILE SWITCH v1 (1)
3	1	TACTILE SWITCH v1 (2)
4	1	TACTILE SWITCH v1 (3)
5	1	TACTILE SWITCH v1 (4)
6	1	TACTILE SWITCH v1 (5)
7	1	TACTILE SWITCH v1 (6)




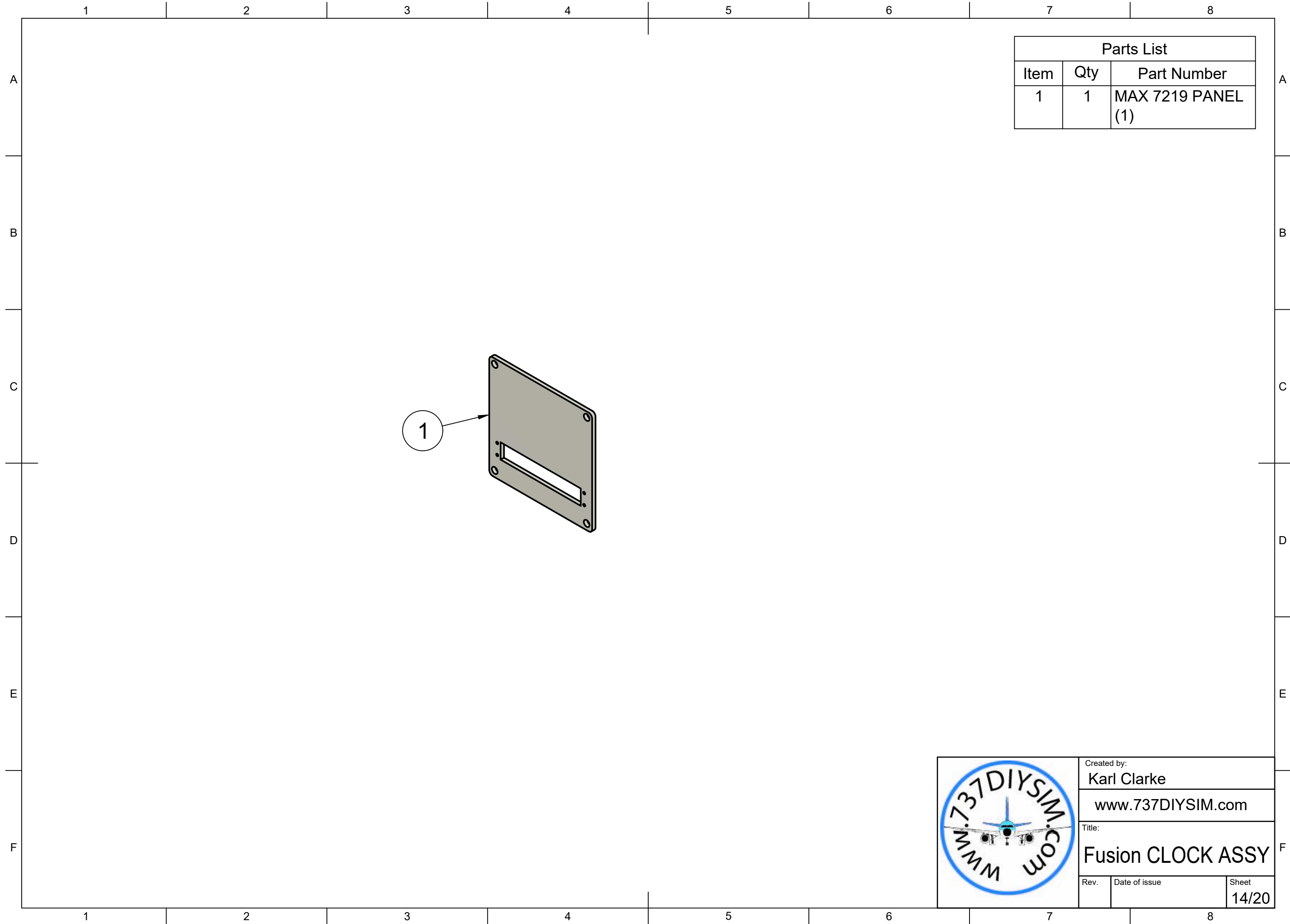
Created by: Karl Clarke		
www.737DIYSIM.com		
Title: Fusion CLOCK ASSY		
Rev.	Date of issue	Sheet 12/20



Parts List		
Item	Qty	Part Number
1	1	Pcb spacer
2	1	Pcb spacer (1) (1) (1)
3	1	Pcb spacer (1)
4	1	Pcb spacer (1) (1)




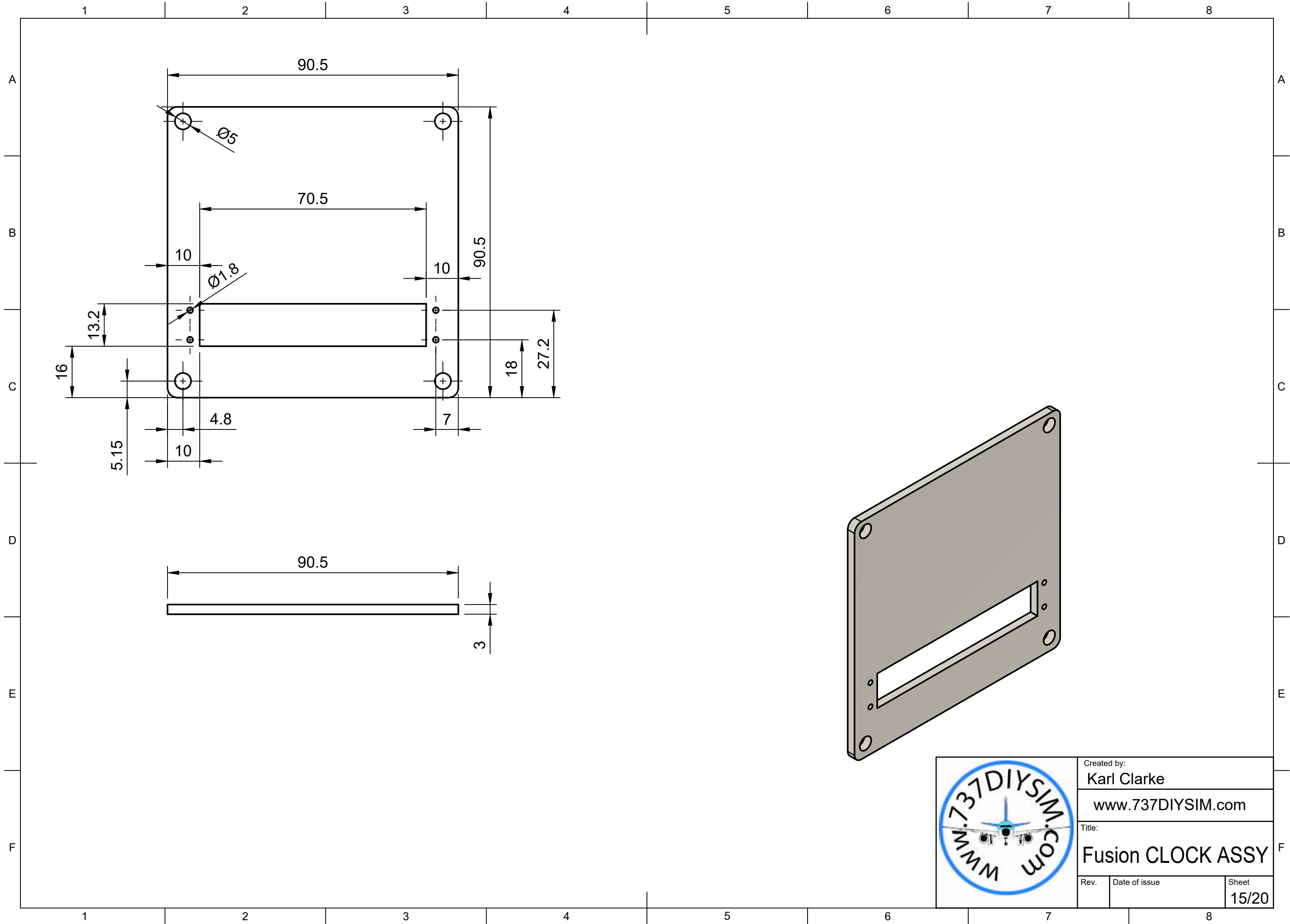
	Created by: Karl Clarke	
	www.737DIYSIM.com	
	Title: Fusion CLOCK ASSY	
Rev.	Date of issue	Sheet 13/20



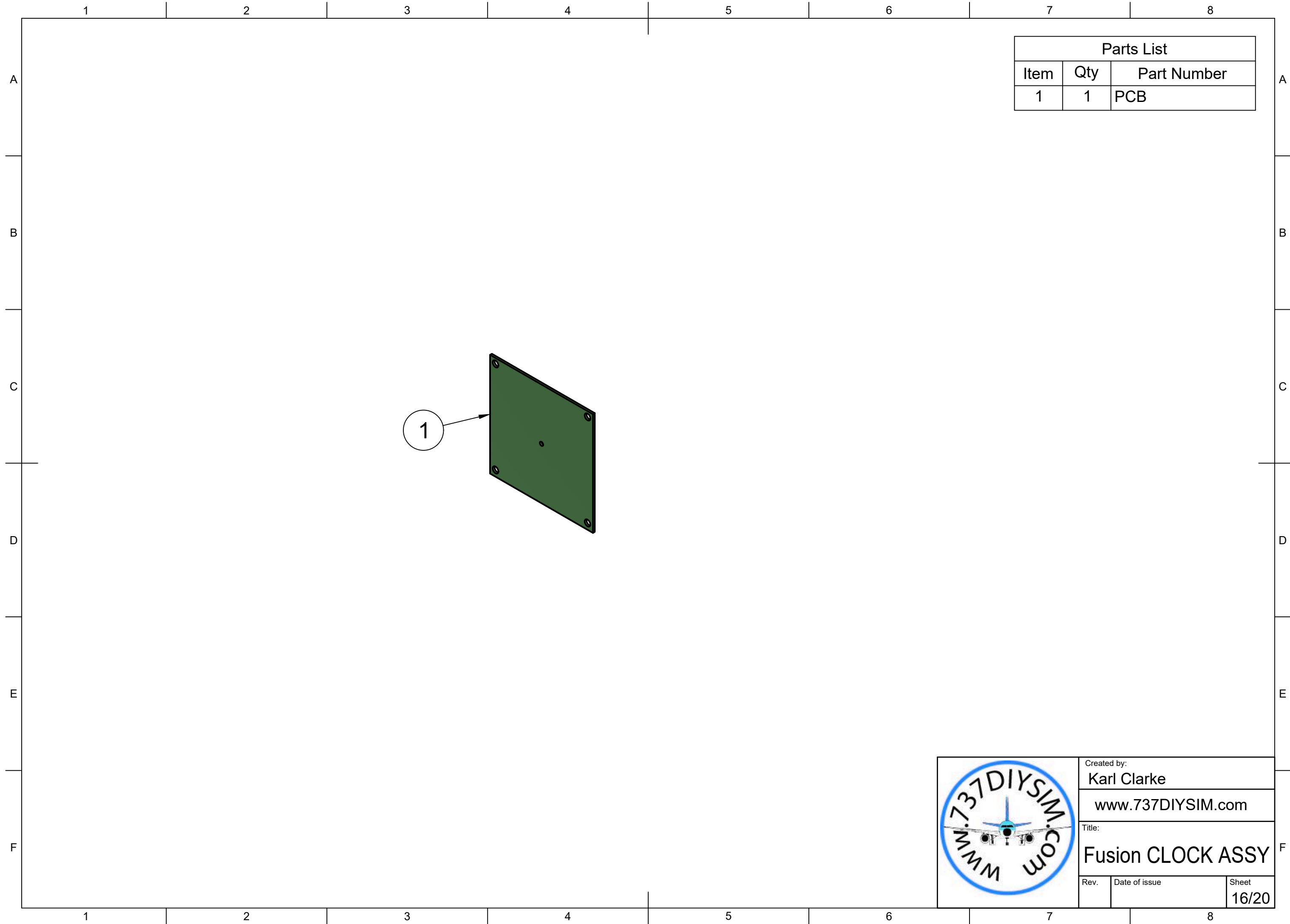
Parts List		
Item	Qty	Part Number
1	1	MAX 7219 PANEL (1)

1


	Created by: Karl Clarke	
	www.737DIYSIM.com	
	Title: Fusion CLOCK ASSY	
Rev.	Date of issue	Sheet 14/20

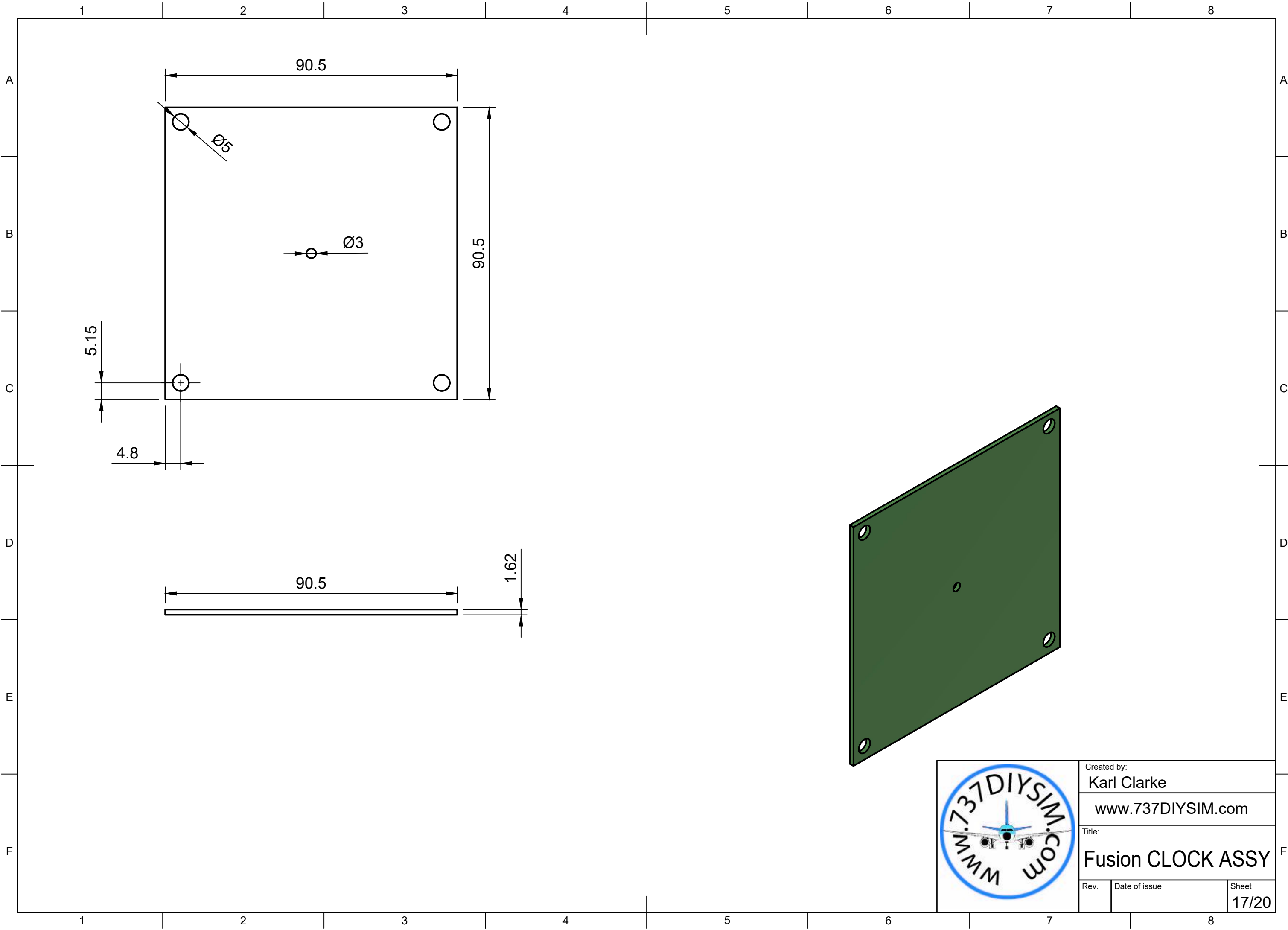


Created by:		
Karl Clarke		
www.737DIYSIM.com		
Title:		
Fusion CLOCK ASSY		
Rev.	Date of issue	Sheet
		15/20

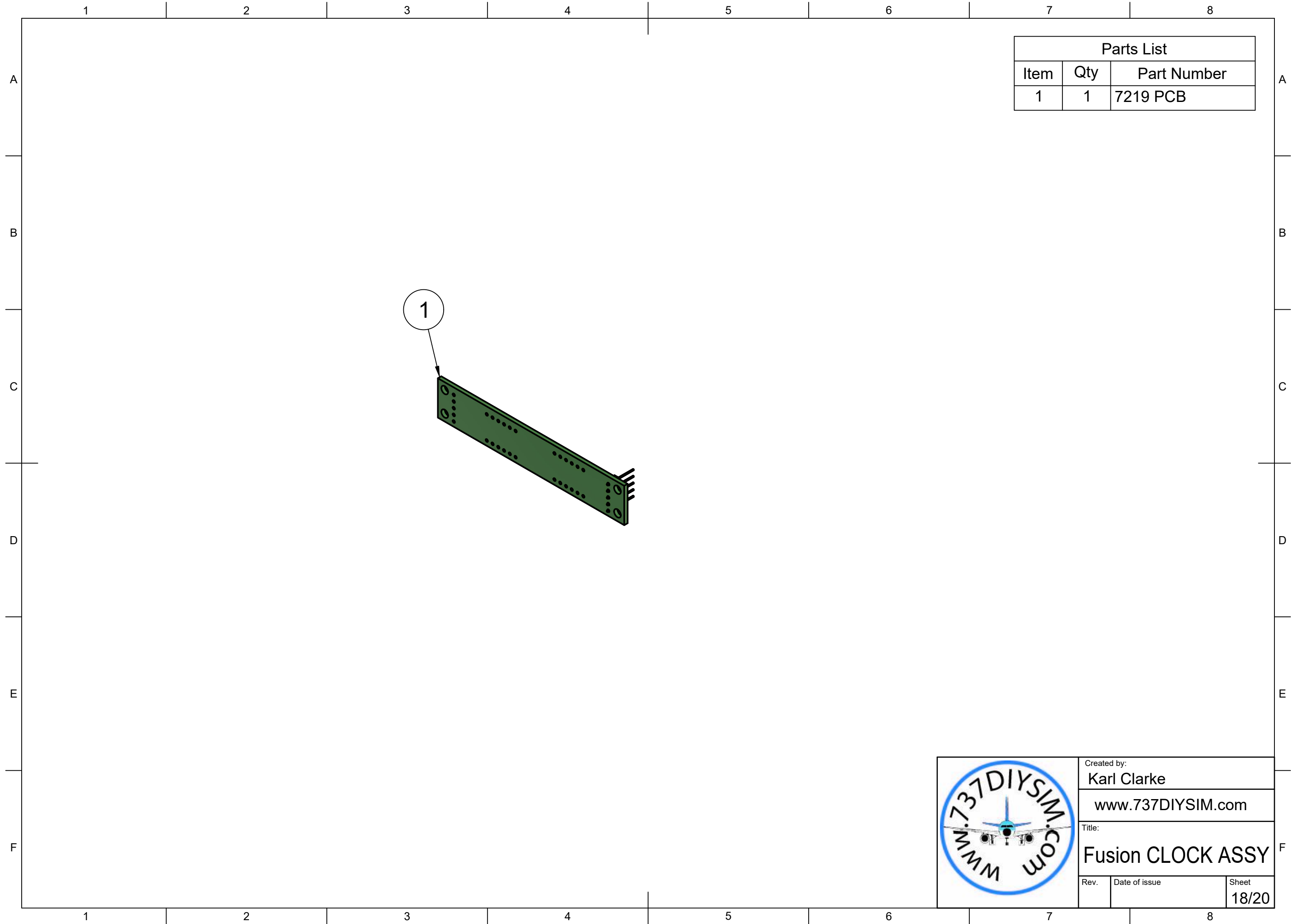


Parts List		
Item	Qty	Part Number
1	1	PCB

	Created by: Karl Clarke	
	www.737DIYSIM.com	
	Title: Fusion CLOCK ASSY	
Rev.	Date of issue	Sheet 16/20



Created by:		
Karl Clarke		
www.737DIYSIM.com		
Title:		
Fusion CLOCK ASSY		
Rev.	Date of issue	Sheet
		17/20

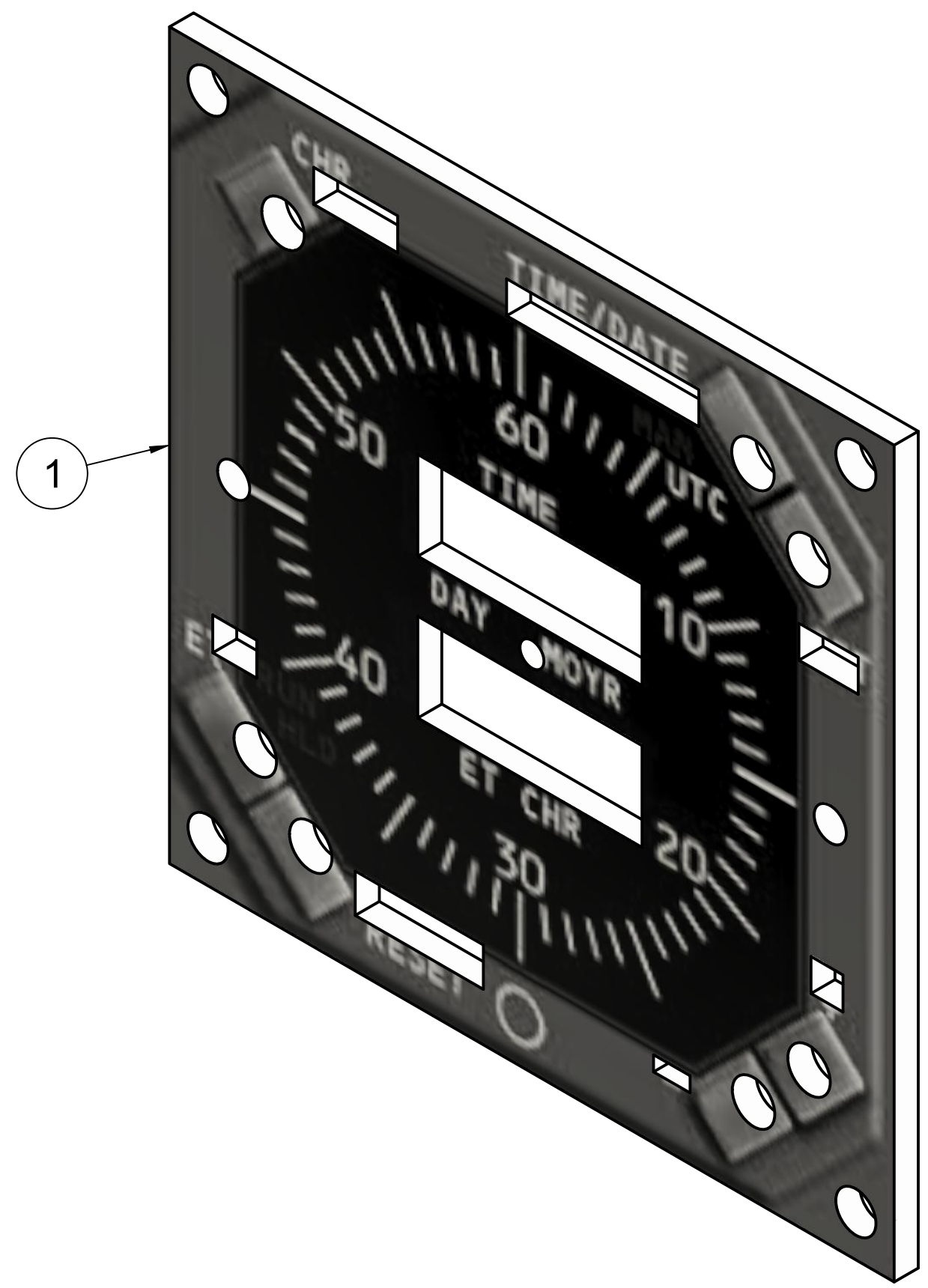


Parts List		
Item	Qty	Part Number
1	1	7219 PCB

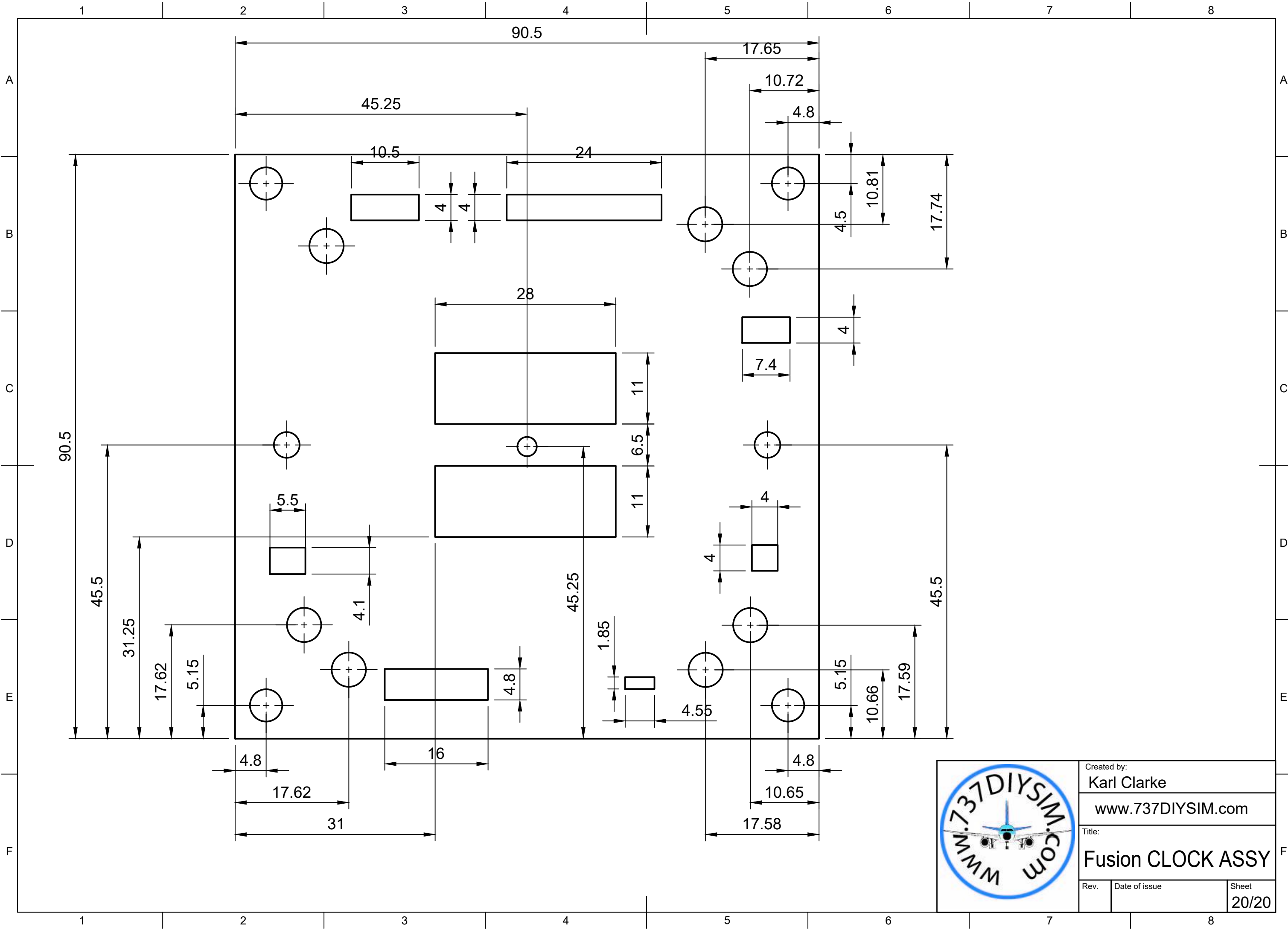
	Created by:	
	Karl Clarke	
	www.737DIYSIM.com	
	Title:	
Fusion CLOCK ASSY		
Rev.	Date of issue	Sheet
		18/20

Parts List

Item	Qty	Part Number
1	1	Back Panel 2



Created by: Karl Clarke		
www.737DIYSIM.com		
Title: Fusion CLOCK ASSY		
Rev.	Date of issue	Sheet 19/20



Created by:		
Karl Clarke		
www.737DIYSIM.com		
Title:		
Fusion CLOCK ASSY		
Rev.	Date of issue	Sheet
		20/20