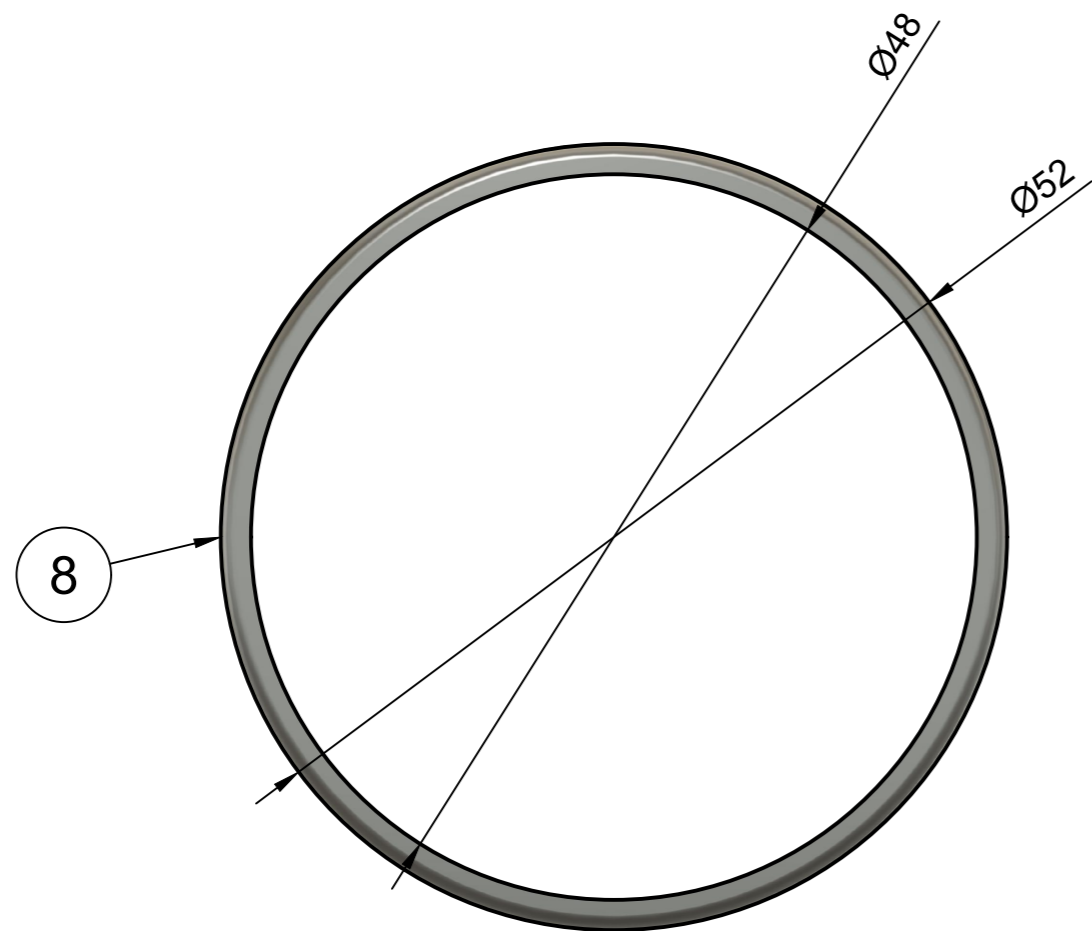




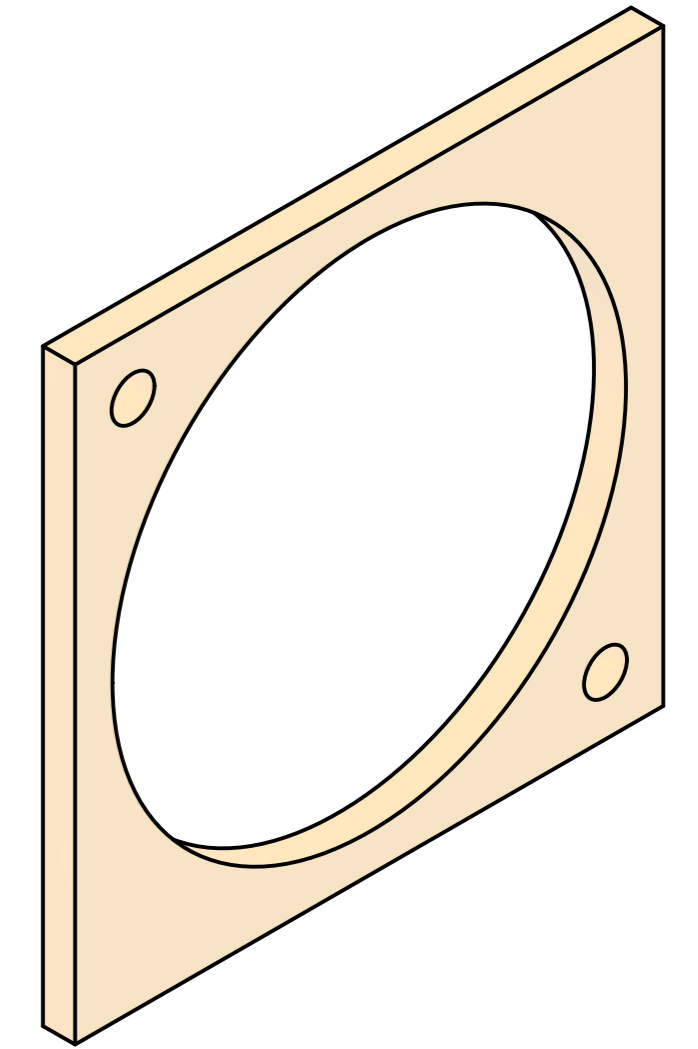
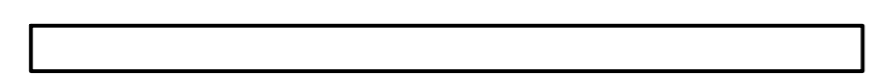
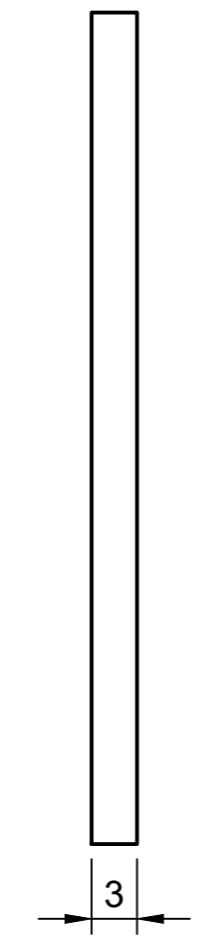
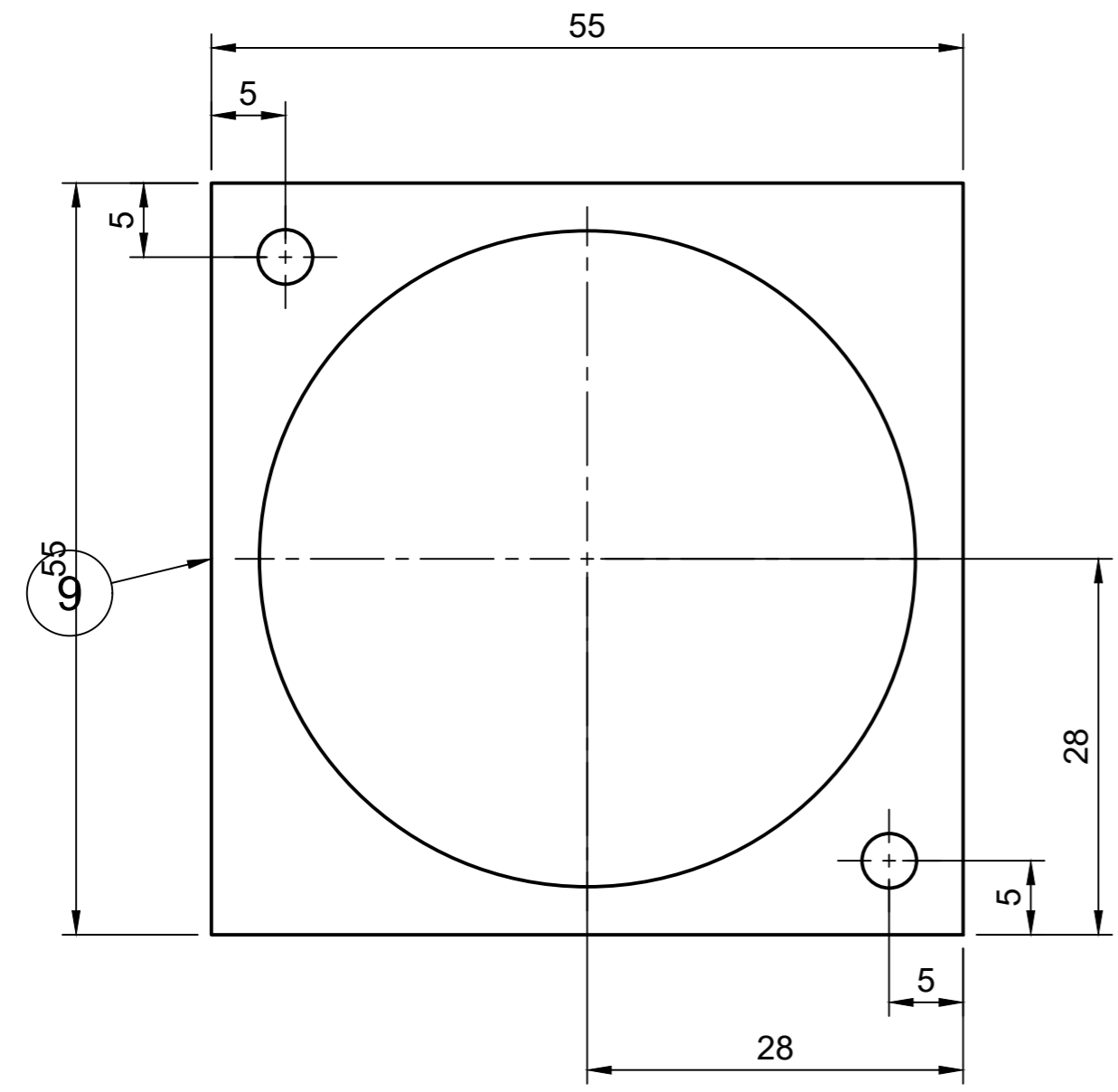


Parts List			
Item	Qty	Part Number	Part Name
8	1	3d Print or laser cut	Gauge Case



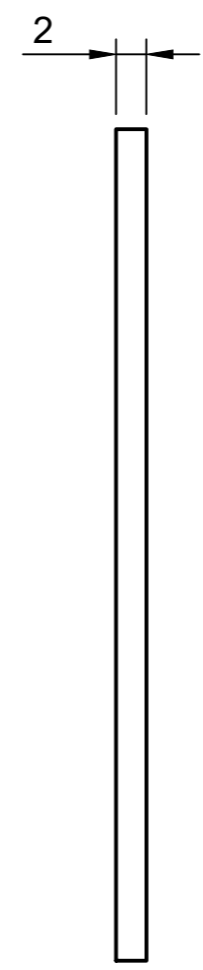
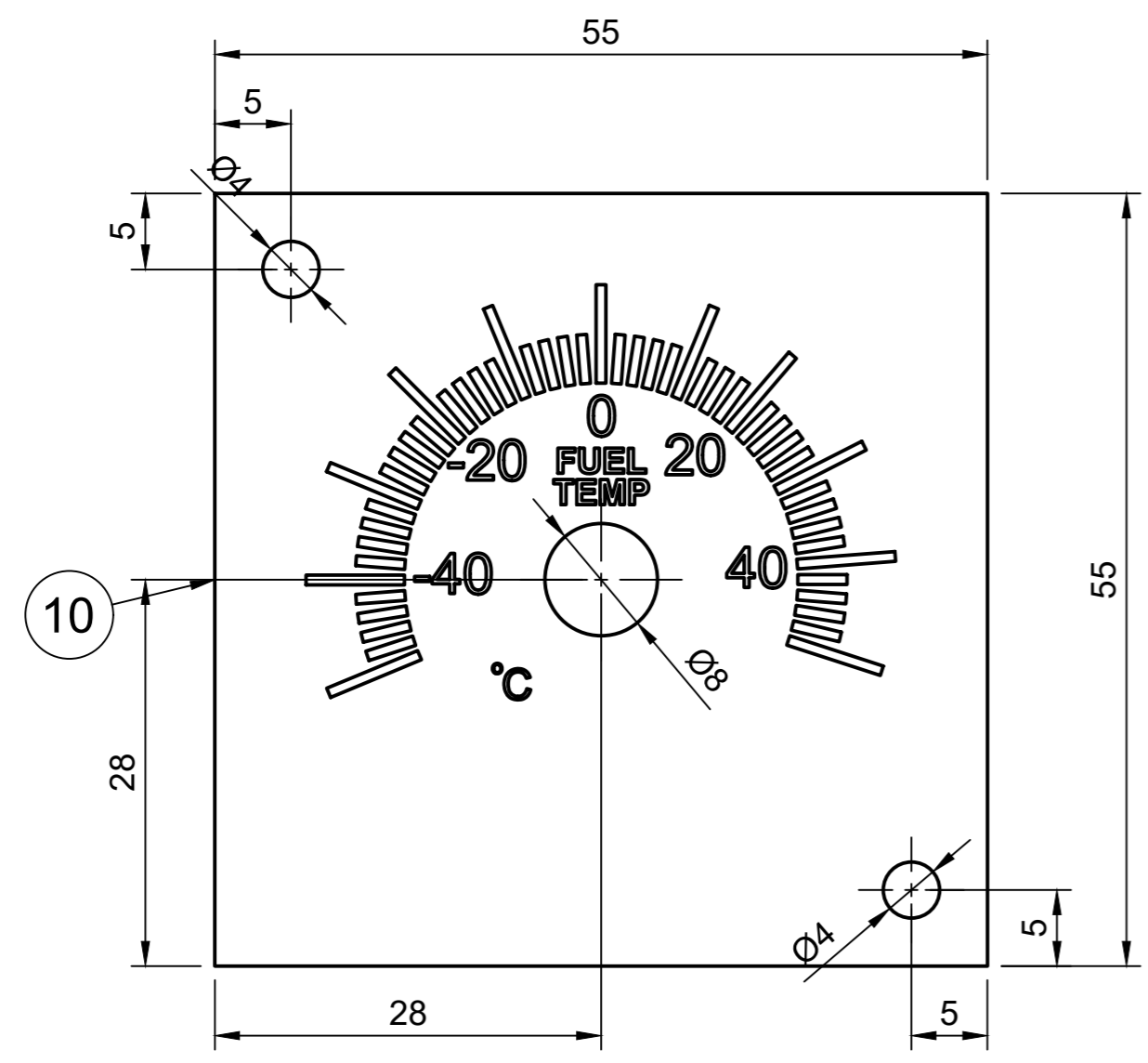
Created by: Karl Clarke		
<a href="http://www.737DIYSIM.com">www.737DIYSIM.com</a>		
Title: OVHD FUEL PANEL		
Rev.	Date of issue	Sheet 3/15

Parts List			
Item	Qty	Part Number	Part Name
9	1	3d Print or laser cut	Gauge Backplate

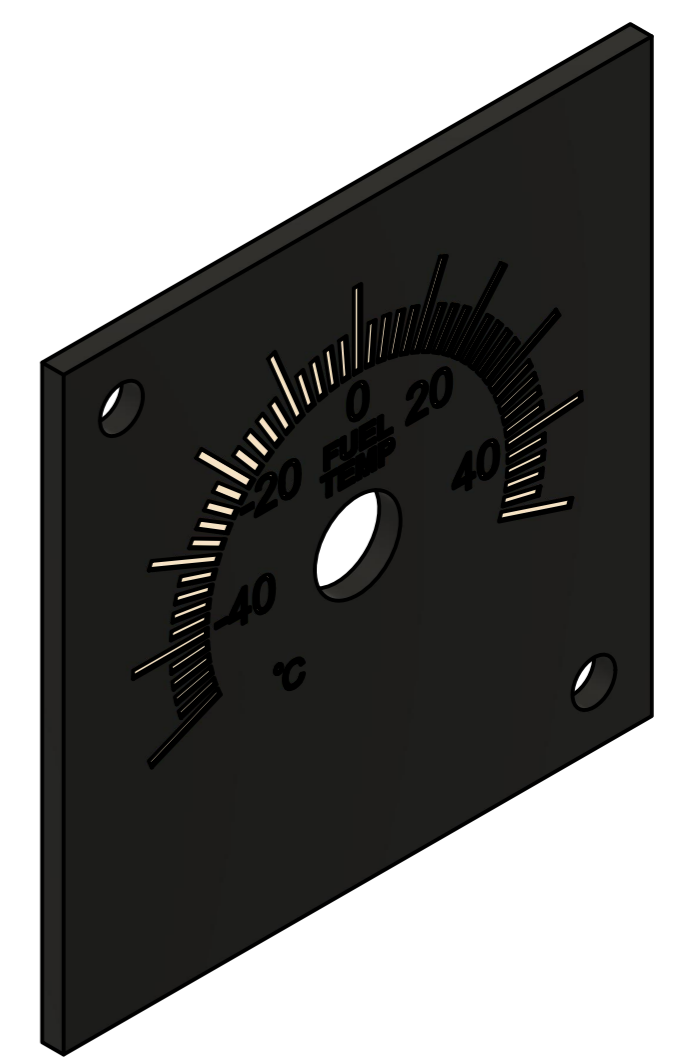
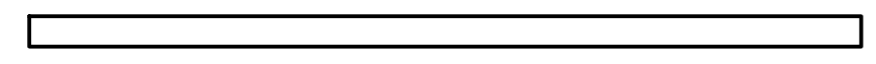


	Created by:		Karl Clarke
			<a href="http://www.737DIYSIM.com">www.737DIYSIM.com</a>
	Title:		OVHD FUEL PANEL
	Rev.	Date of issue	Sheet
			4/15

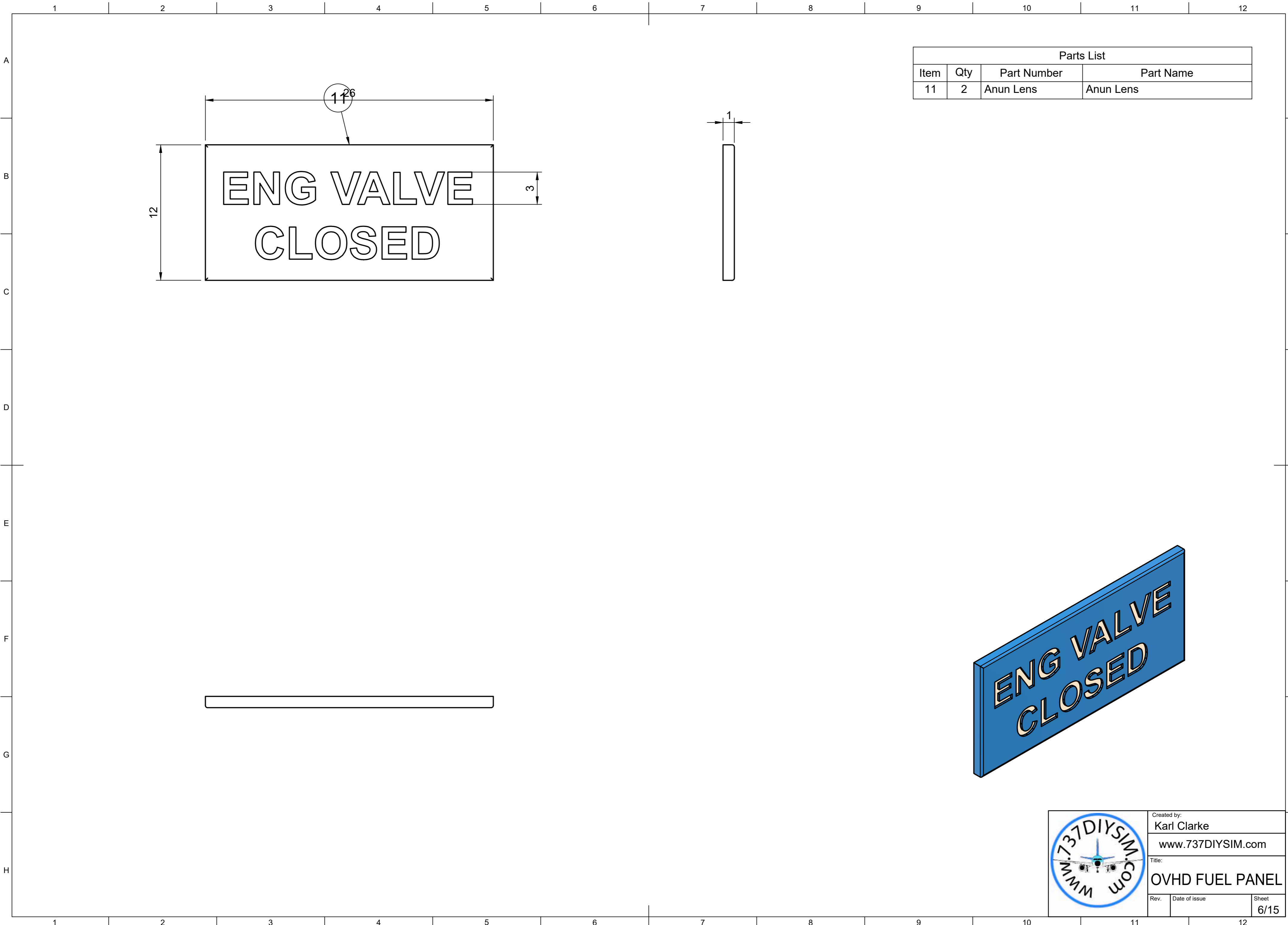
Parts List			
Item	Qty	Part Number	Part Name
10	1	3d Print or laser cut/CNC	Fuel Gauge Backplate




For Decal layout see fusion CAD design

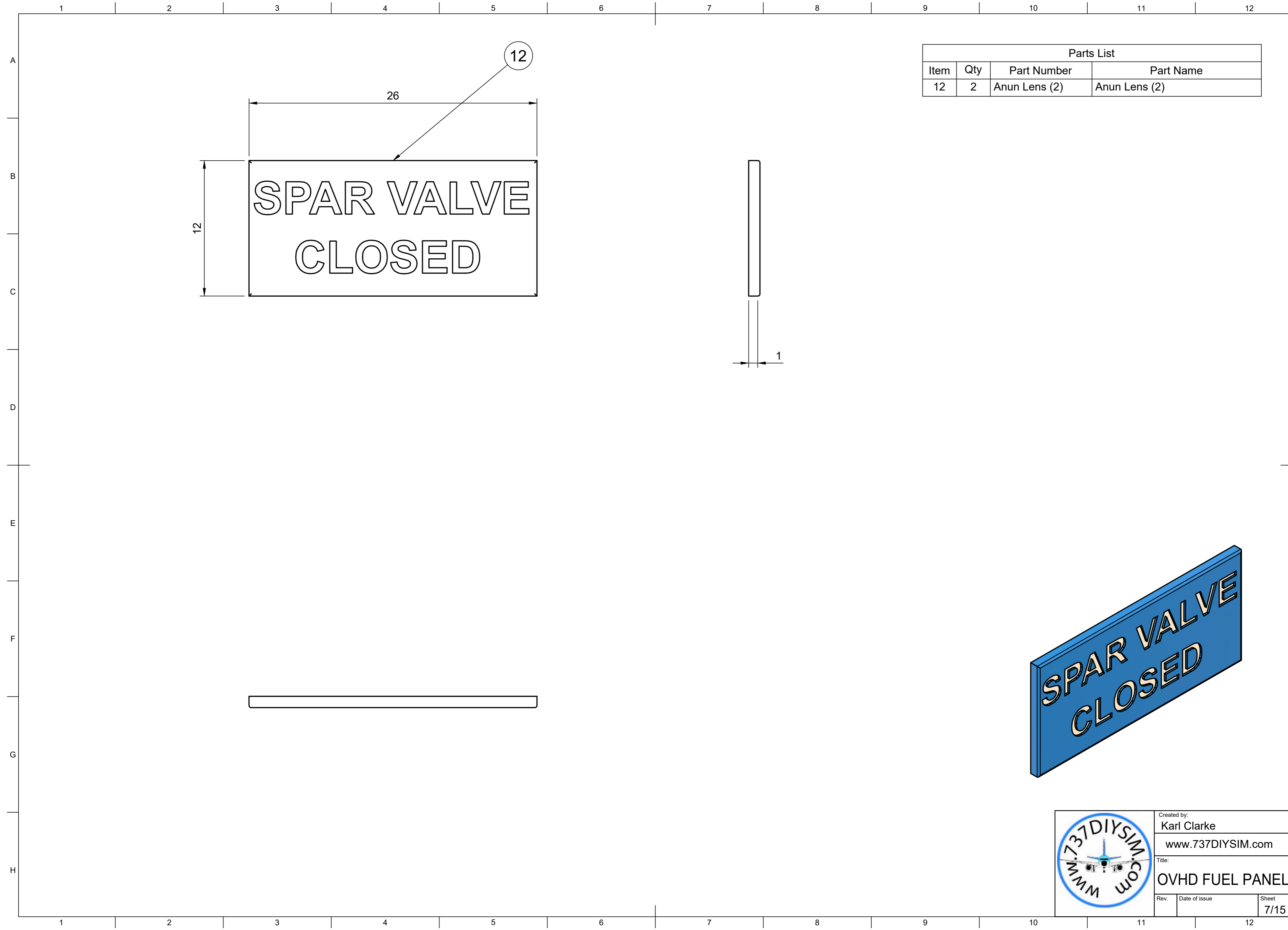


	Created by: Karl Clarke	
	www.737DIYSIM.com	
	Title: OVHD FUEL PANEL	
Rev.	Date of issue	Sheet 5/15



Parts List			
Item	Qty	Part Number	Part Name
11	2	Anun Lens	Anun Lens

	Created by: Karl Clarke	
	www.737DIYSIM.com	
	Title: OVHD FUEL PANEL	
Rev.	Date of issue	Sheet 6/15



Parts List			
Item	Qty	Part Number	Part Name
12	2	Anun Lens (2)	Anun Lens (2)

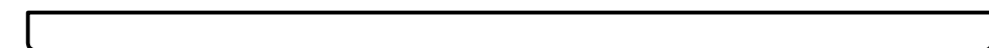
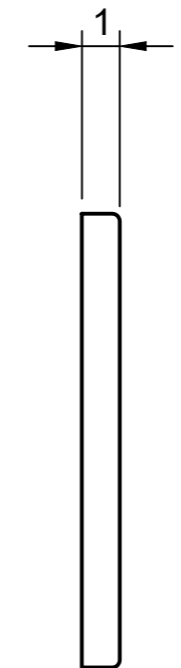
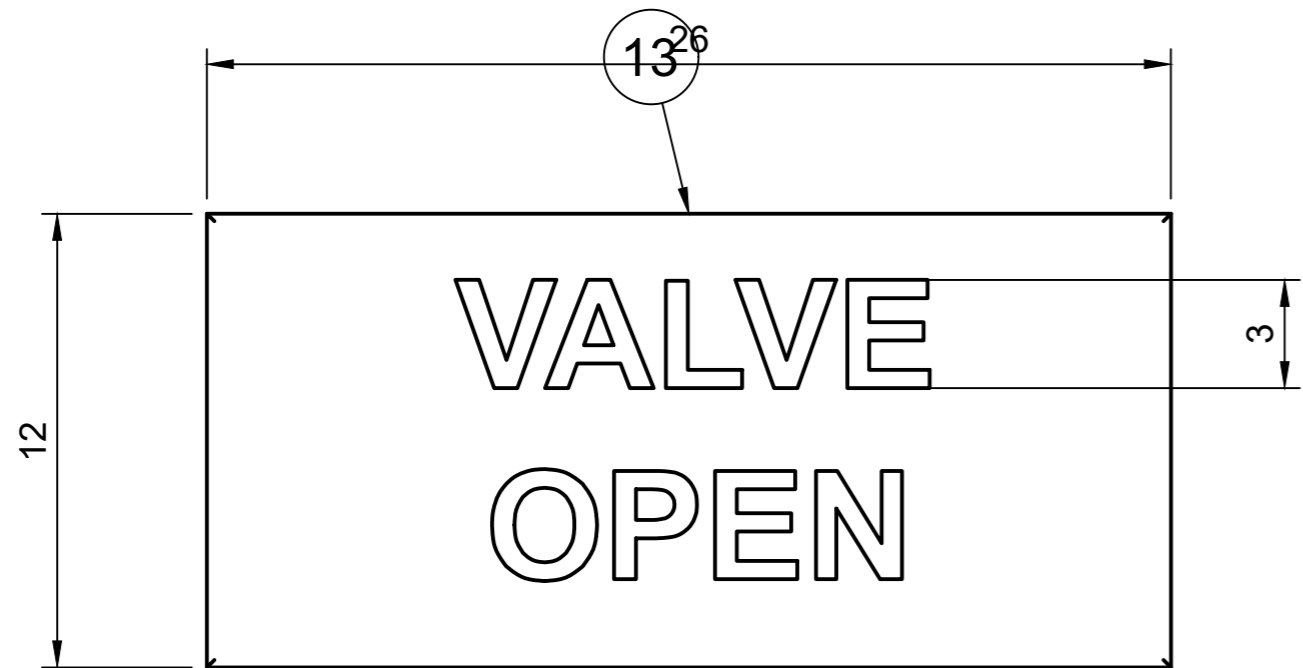



	Created by:		Karl Clarke
			<a href="http://www.737DIYSIM.com">www.737DIYSIM.com</a>
	Title:		OVHD FUEL PANEL
Rev.	Date of issue	Sheet	7/15

1 2 3 4 5 6 7 8 9 10 11 12

A  
B  
C  
D  
E  
F  
G  
H

Parts List			
Item	Qty	Part Number	Part Name
13	1	Anun Lens (3)	Anun Lens (3)

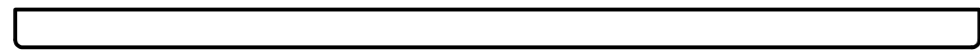
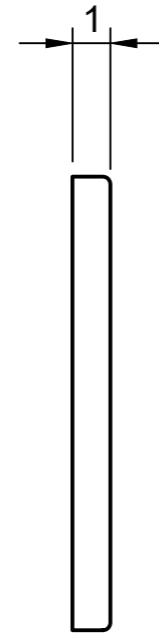
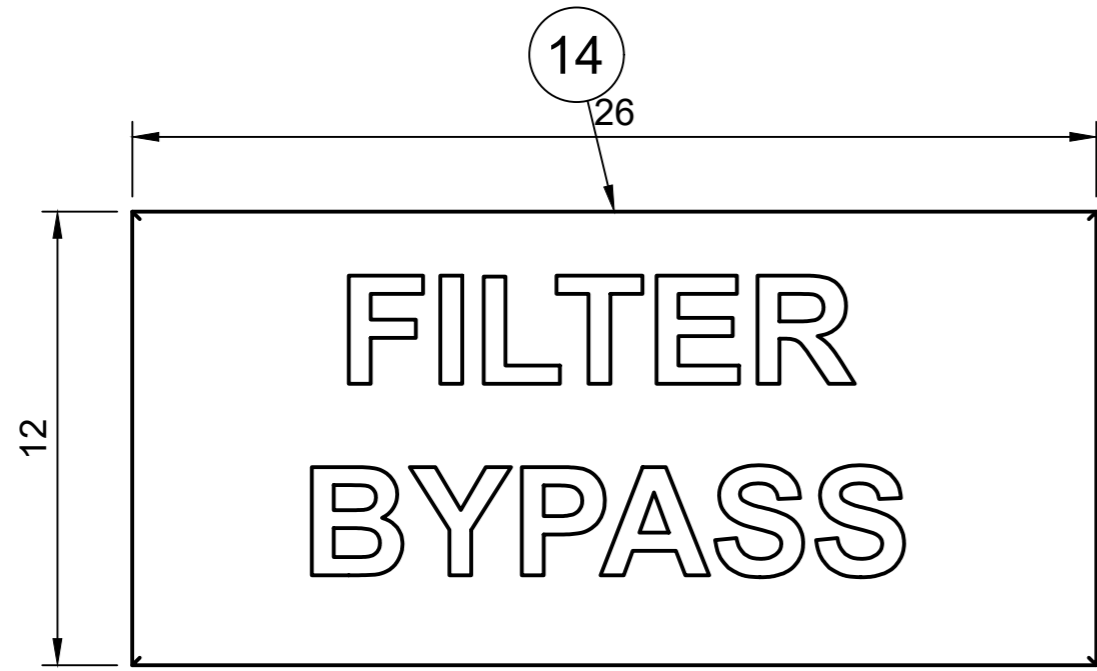


	Created by:		Karl Clarke
			<a href="http://www.737DIYSIM.com">www.737DIYSIM.com</a>
	Title:		OVHD FUEL PANEL
	Rev.	Date of issue	Sheet
			8/15

1 2 3 4 5 6 7 8 9 10 11 12

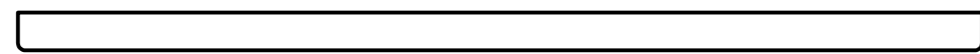
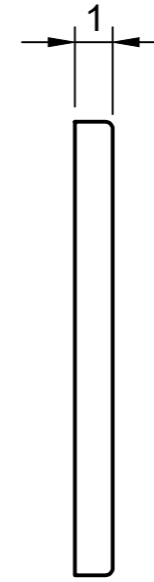
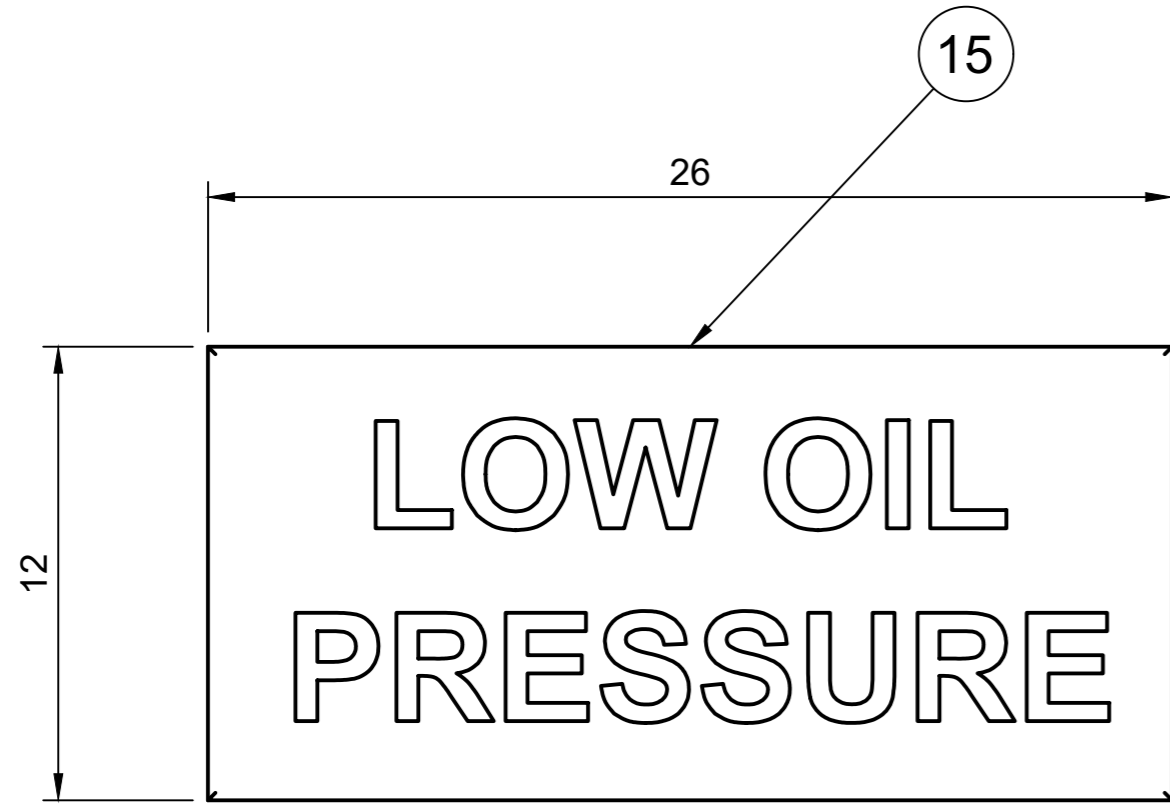


Parts List			
Item	Qty	Part Number	Part Name
14	2	Anun Lens (1)	Anun Lens (1)



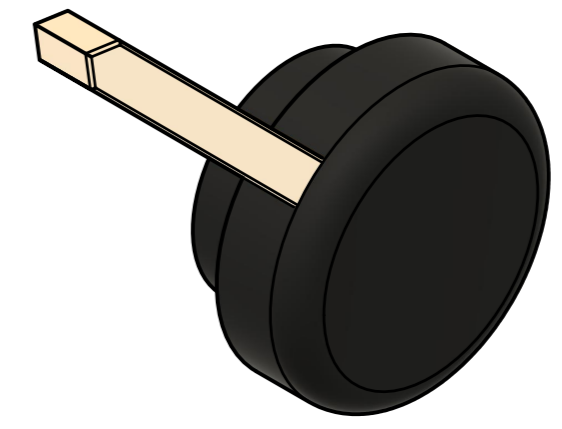
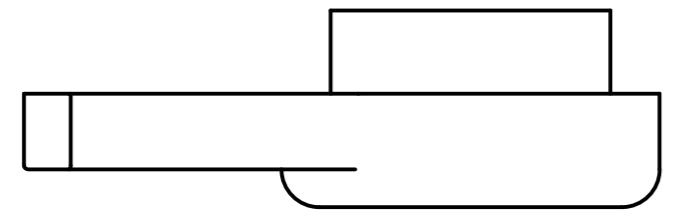
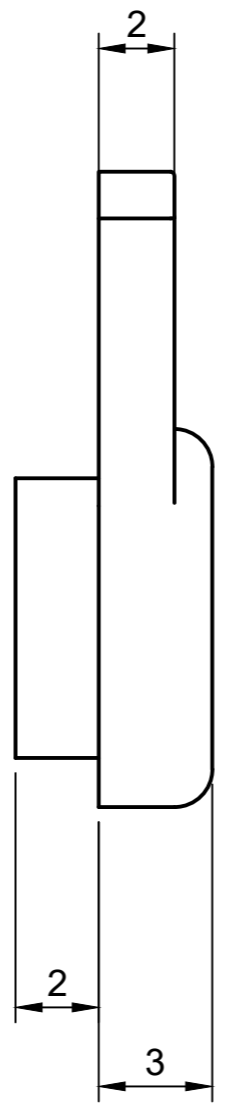
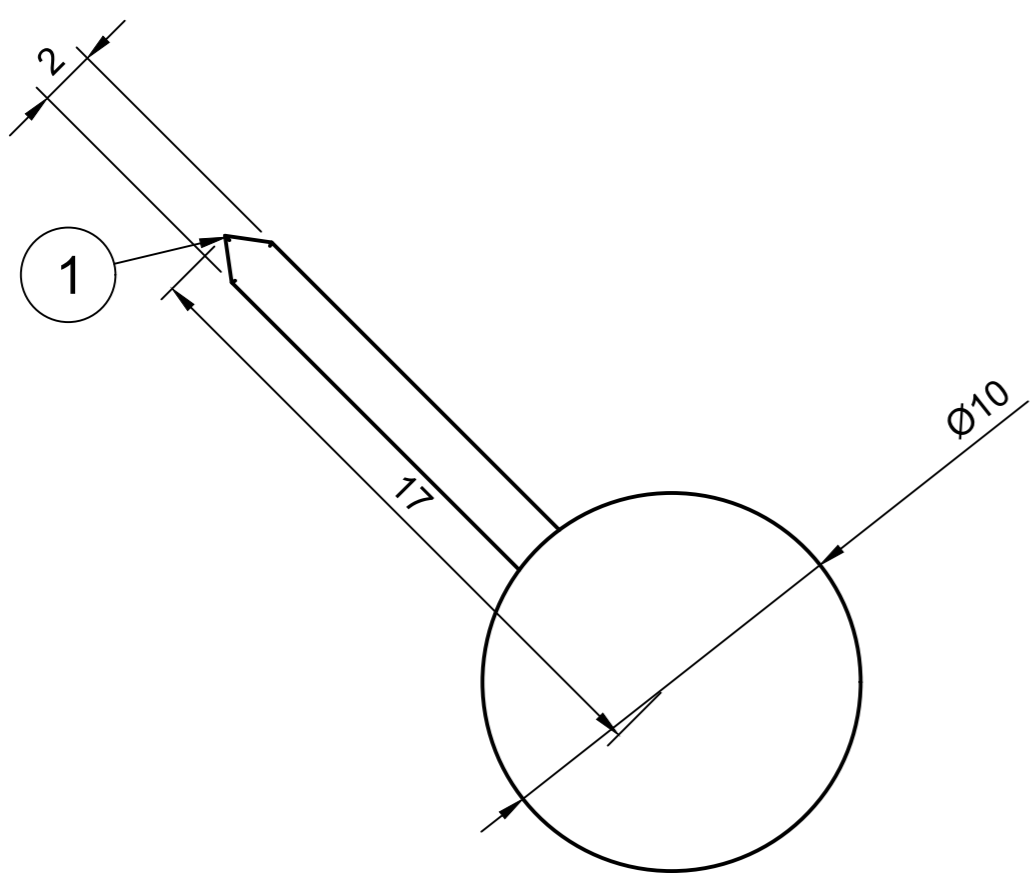
Created by:		
Karl Clarke		
www.737DIYSIM.com		
Title:		
OVHD FUEL PANEL		
Rev.	Date of issue	Sheet
		9/15

Parts List			
Item	Qty	Part Number	Part Name
15	6	Anun Lens (4)	Anun Lens (4)

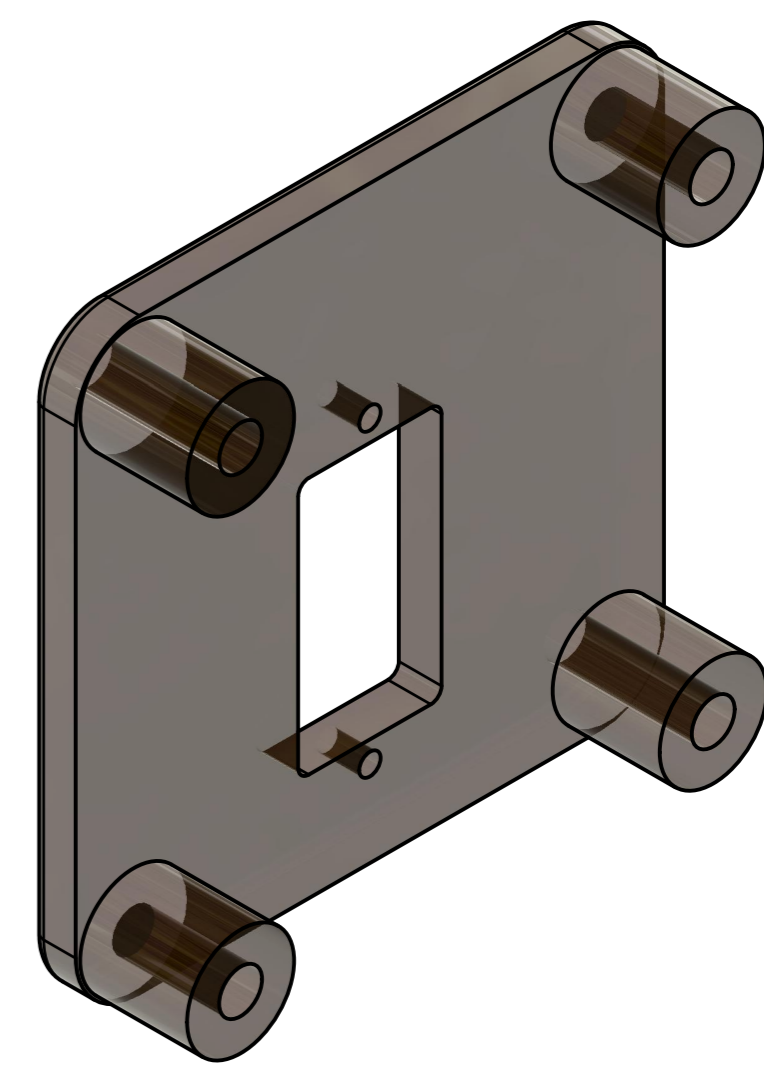
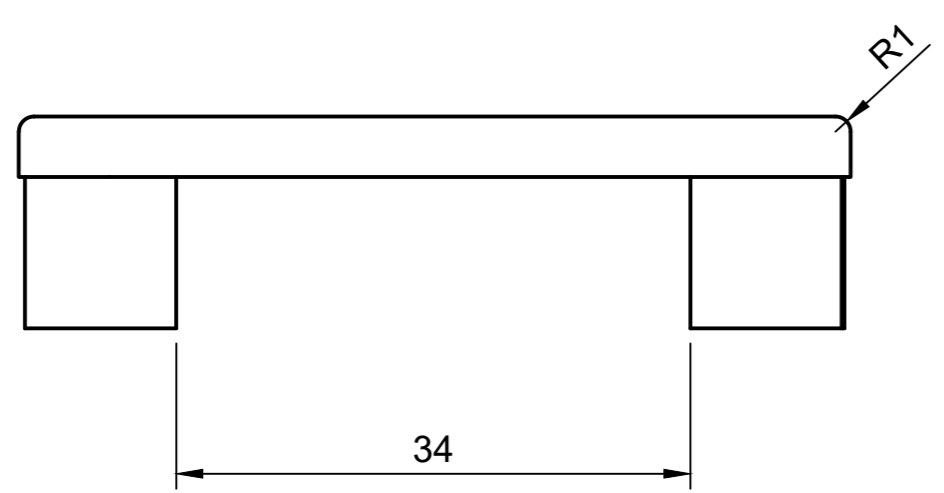
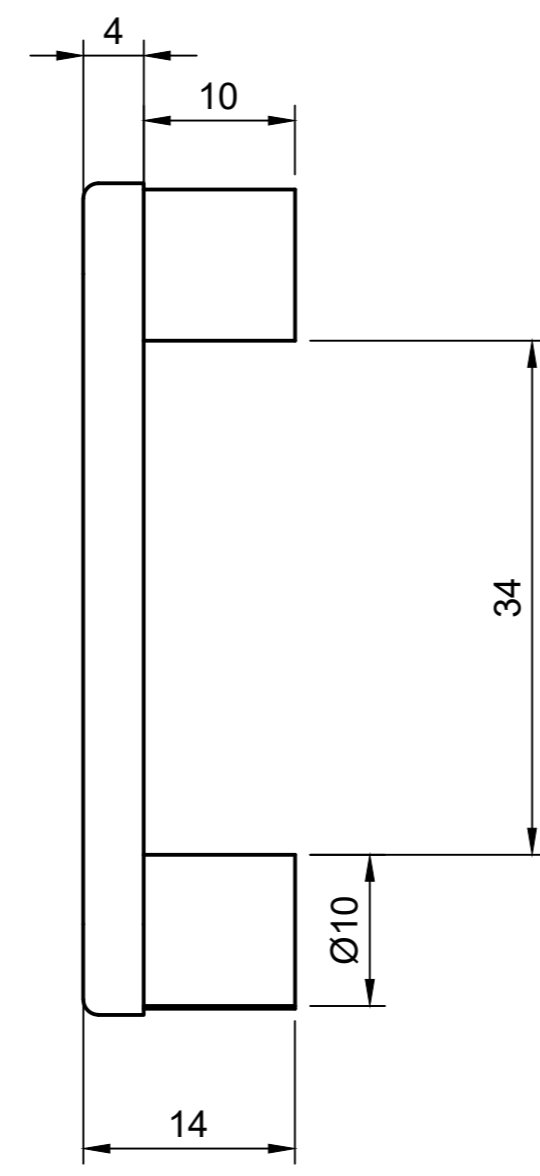
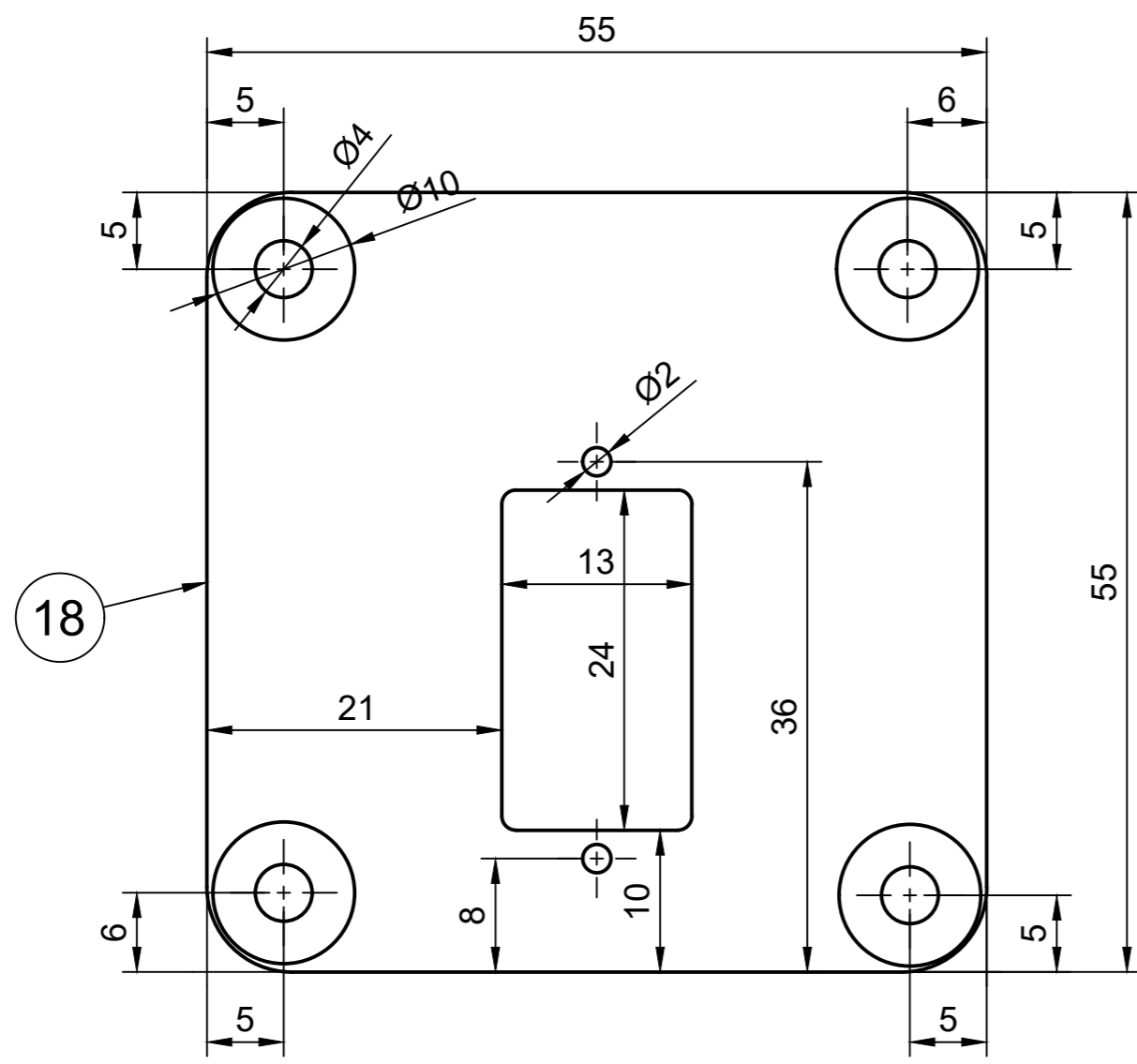


Created by: Karl Clarke		
www.737DIYSIM.com		
Title: OVHD FUEL PANEL		
Rev.	Date of issue	Sheet 10/15

Parts List		
Item	Qty	Part Number
1	1	Fuel Gauge Needle (1)

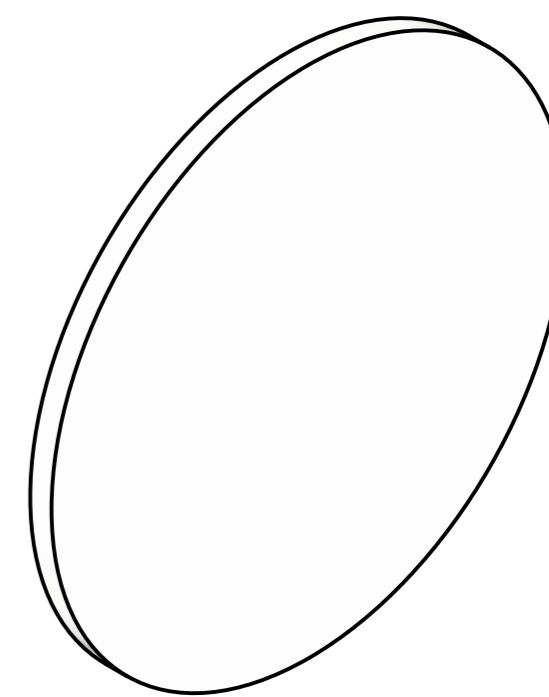
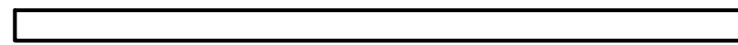
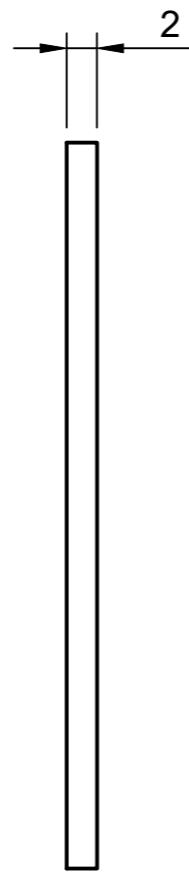
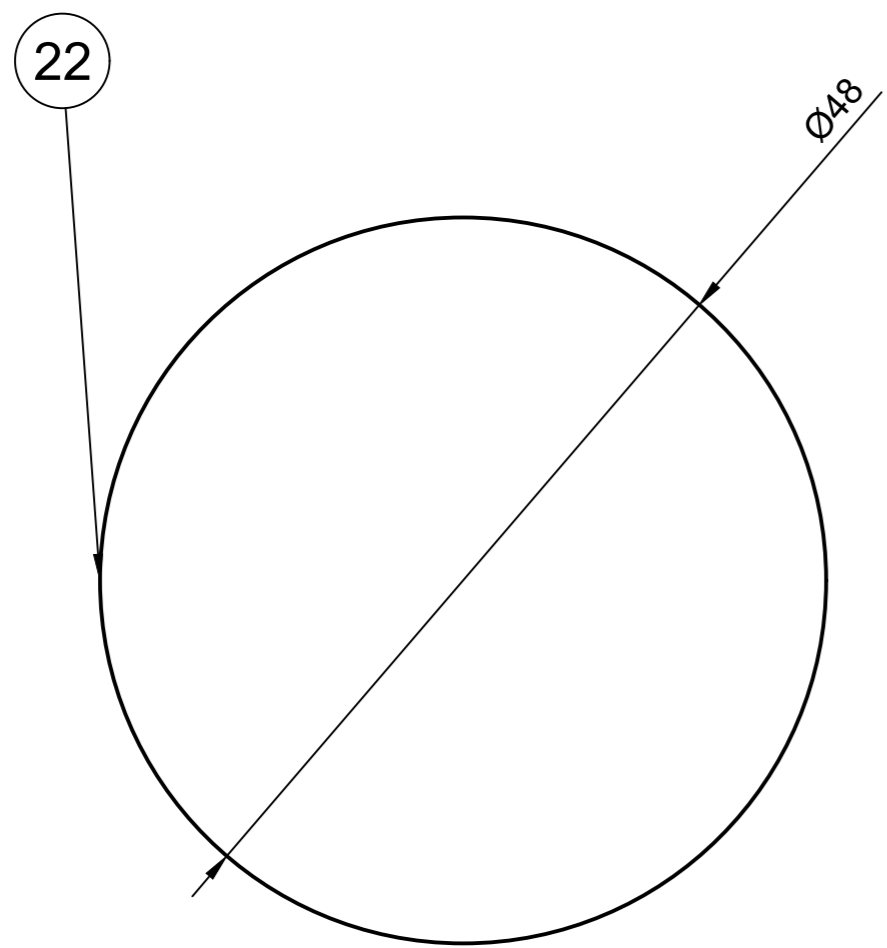


Parts List			
Item	Qty	Part Number	Part Name
18	1	3d Print	Spacer Plate



	Created by: Karl Clarke	
	www.737DIYSIM.com	
	Title: OVHD FUEL PANEL	
Rev.	Date of issue	Sheet 12/15

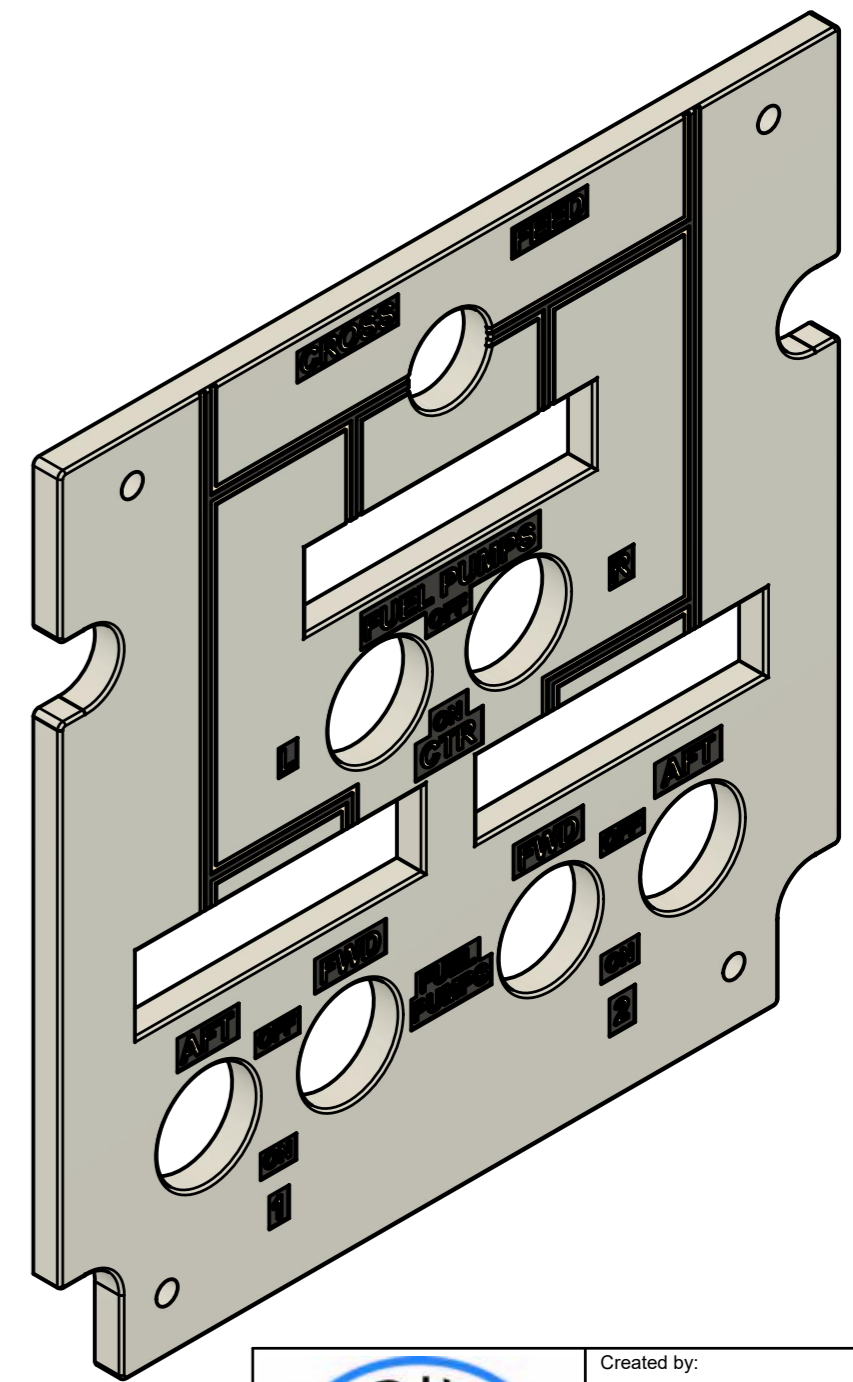
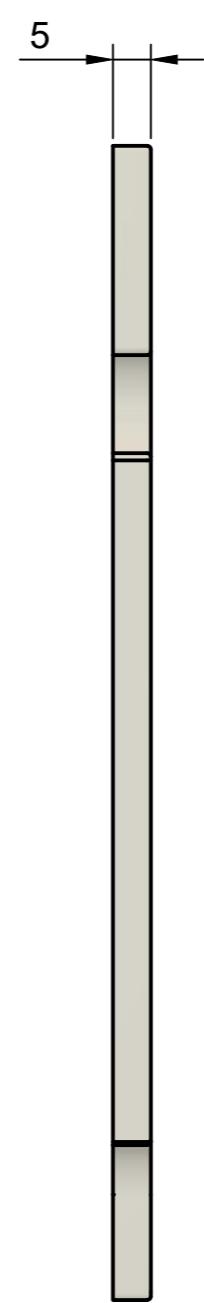
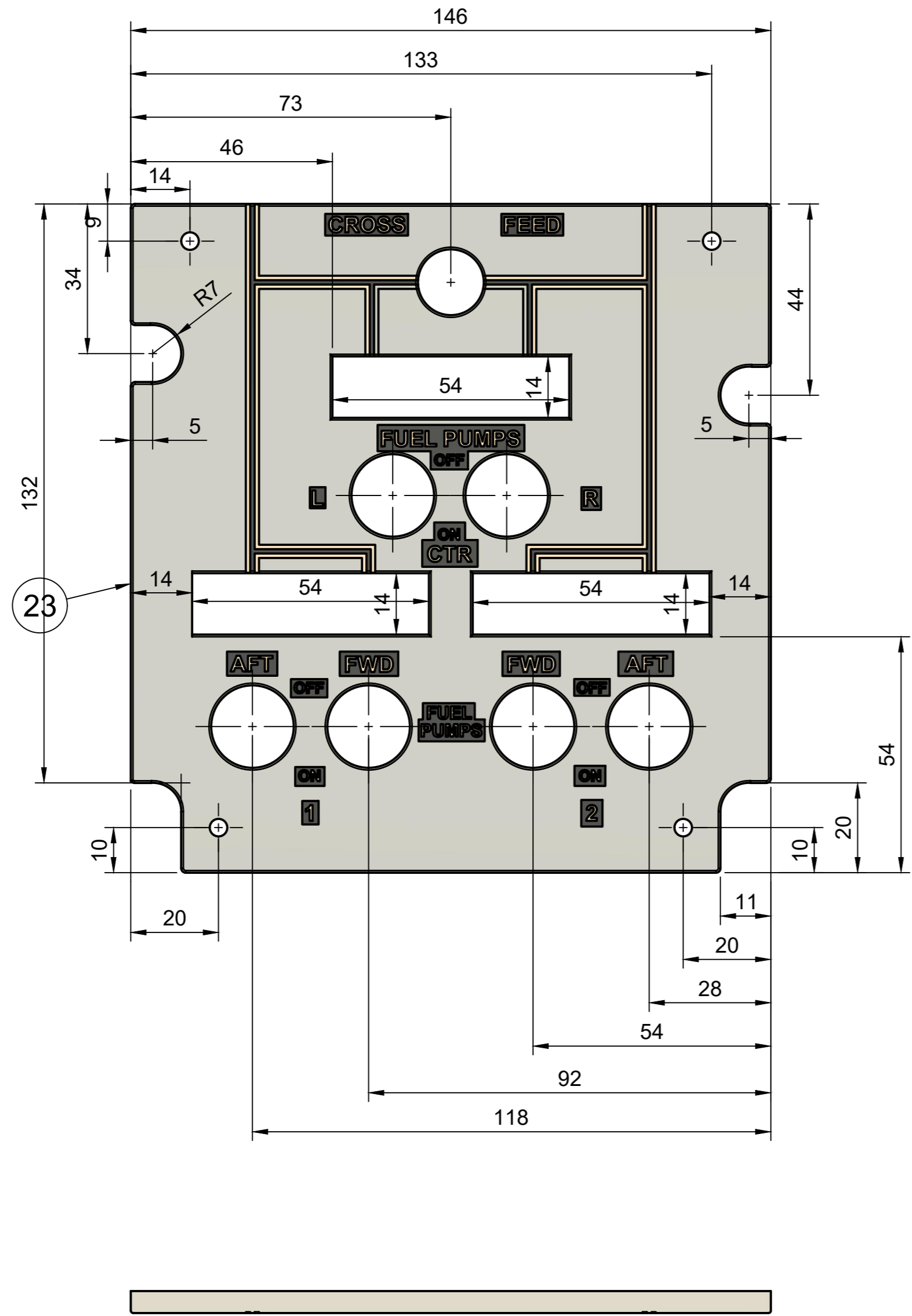
Parts List			
Item	Qty	Part Number	Part Name
22	1	1mm perspex	Gauge Lens




Created by: Karl Clarke		
www.737DIYSIM.com		
Title: OVHD FUEL PANEL		
Rev.	Date of issue	Sheet 13/15

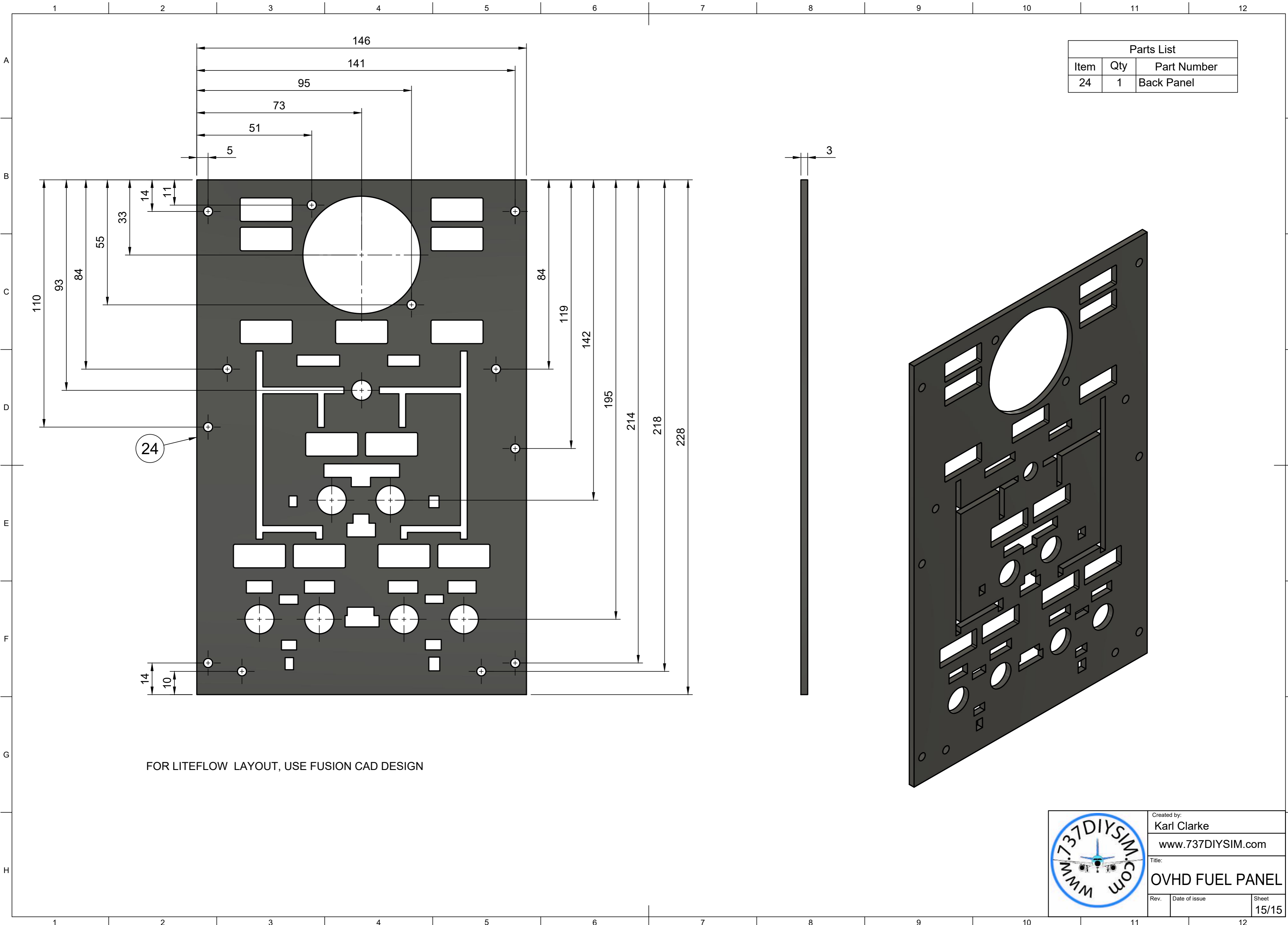
FOR DECAL LAYOUT, USE FUSION CAD DESIGN

Parts List		
Item	Qty	Part Number
23	1	Facepanel





Created by:		
Karl Clarke		
www.737DIYSIM.com		
Title:		
OVHD FUEL PANEL		
Rev.	Date of issue	Sheet
		14/15



Parts List		
Item	Qty	Part Number
24	1	Back Panel

24

FOR LITEFLOW LAYOUT, USE FUSION CAD DESIGN



Created by: Karl Clarke		
www.737DIYSIM.com		
Title: OVHD FUEL PANEL		
Rev.	Date of issue	Sheet 15/15