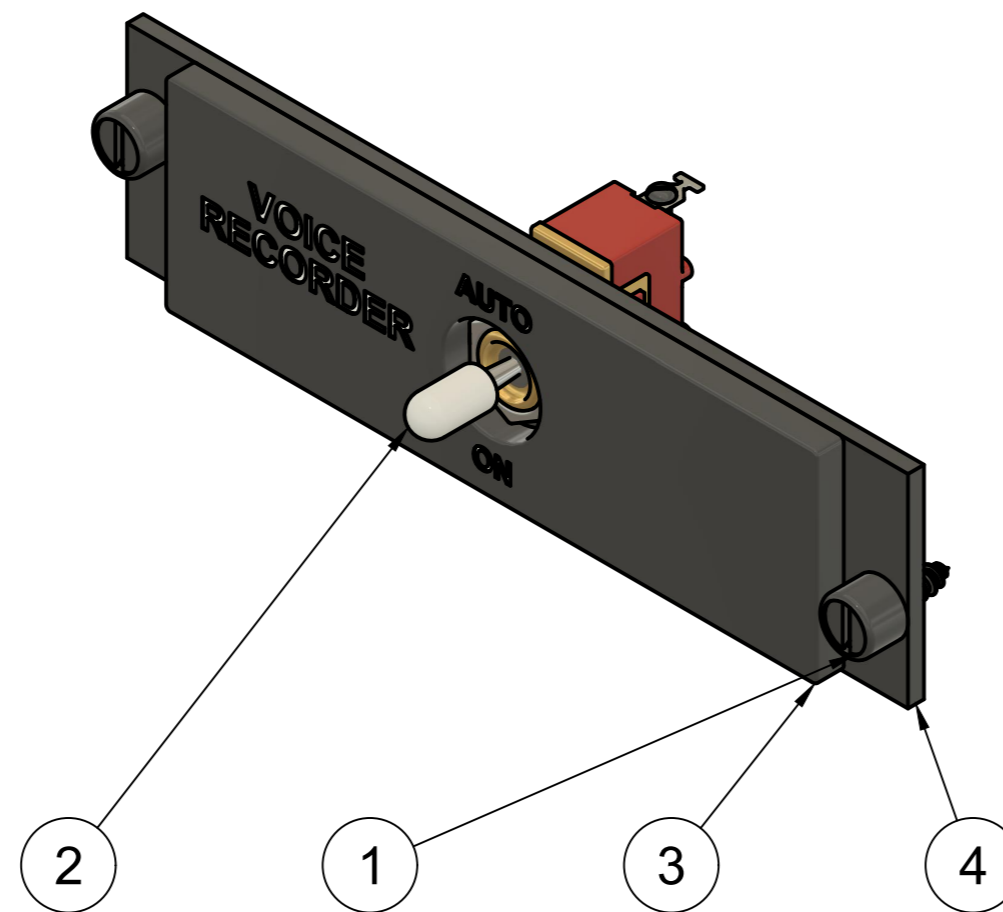
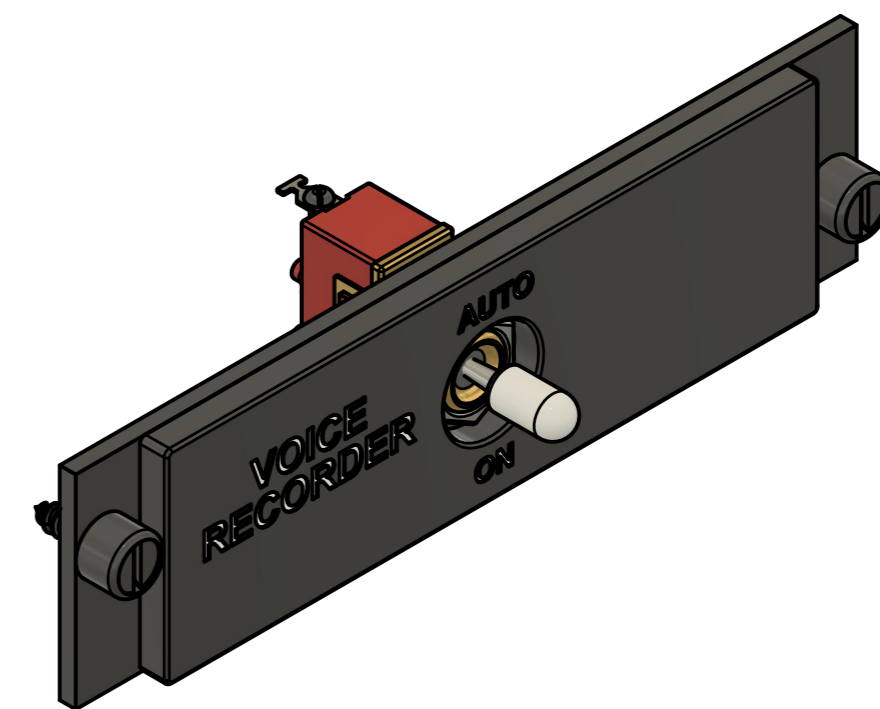
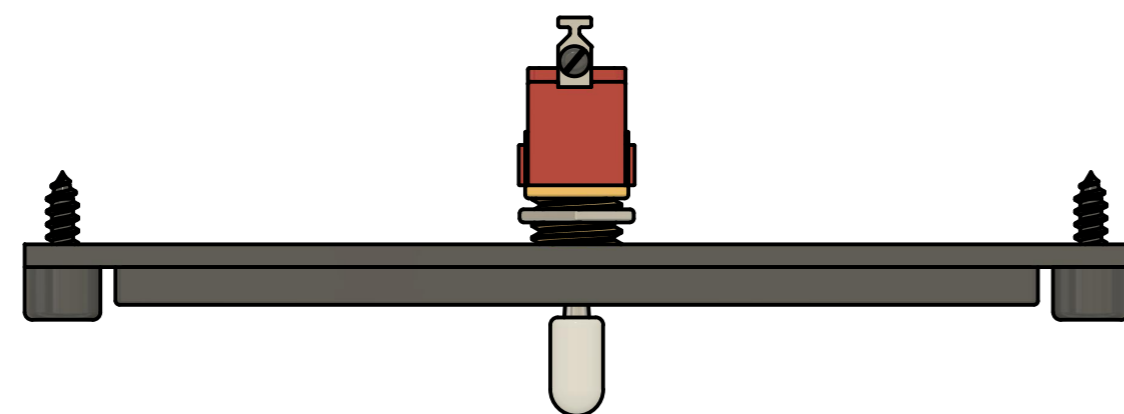
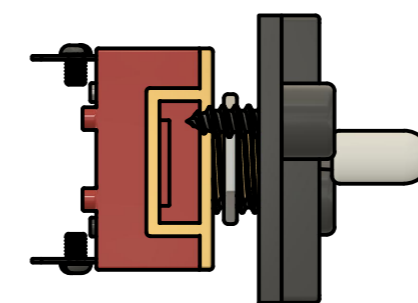
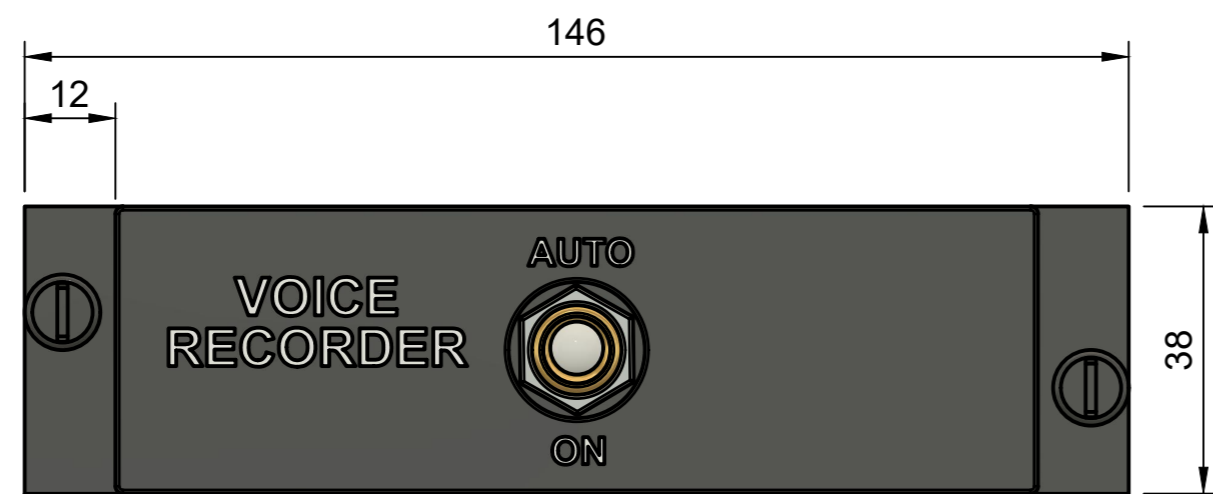


Parts List		
Item	Qty	Part Number
1	2	DZUS FASTENER PLASTIC
2	1	TOGGLE SW WTE CAP
3	1	FACEPLATE
4	1	BACKPLATE

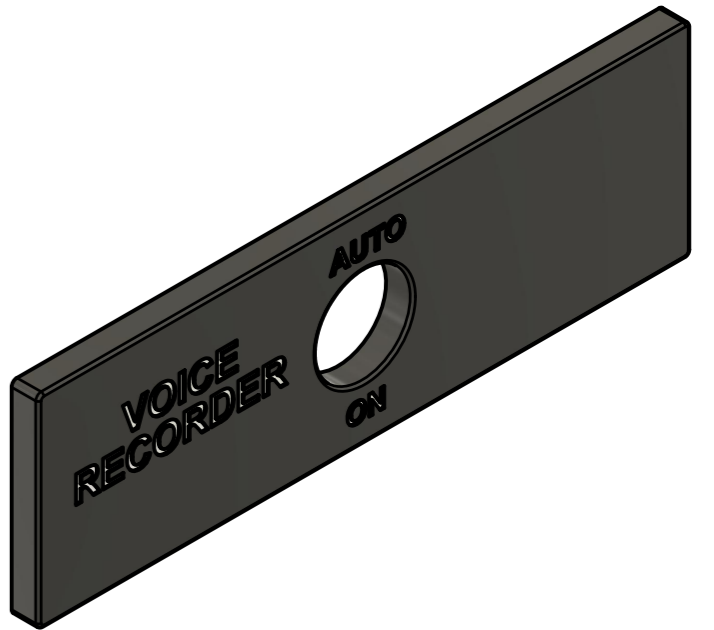
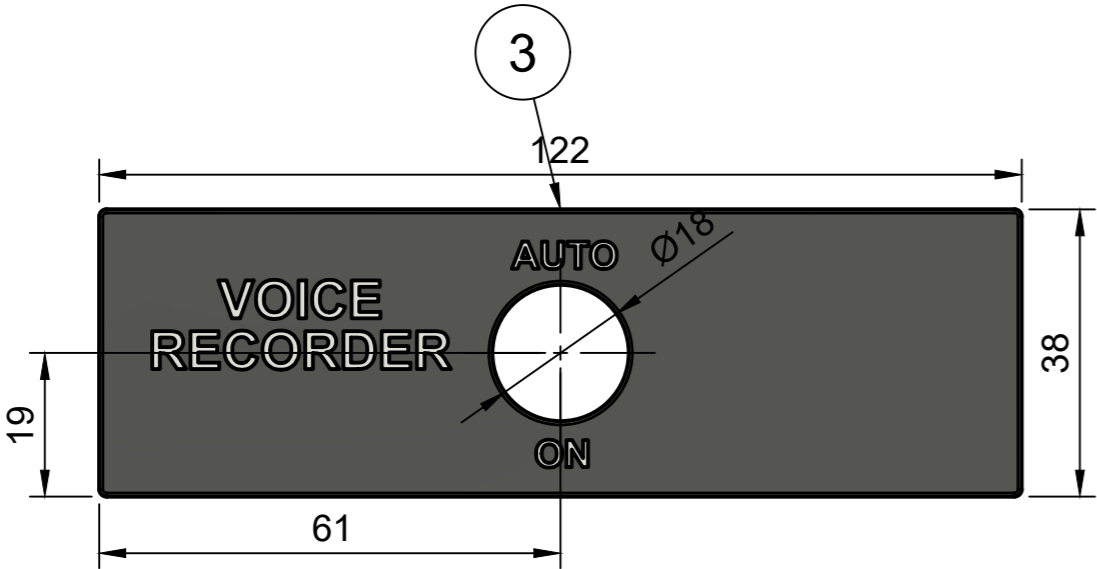


	Created by:		Karl Clarke
			www.737DIYSIM.com
	Title:		OVHD VOICE REC PANEL
	Rev.	Date of issue	Sheet
			1/4



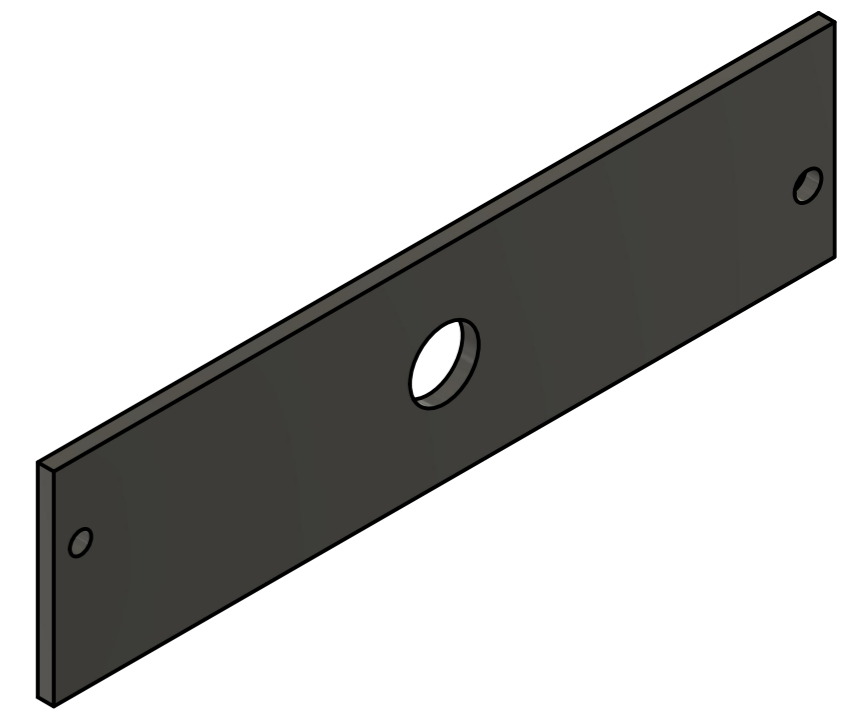
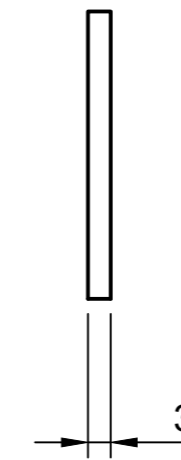
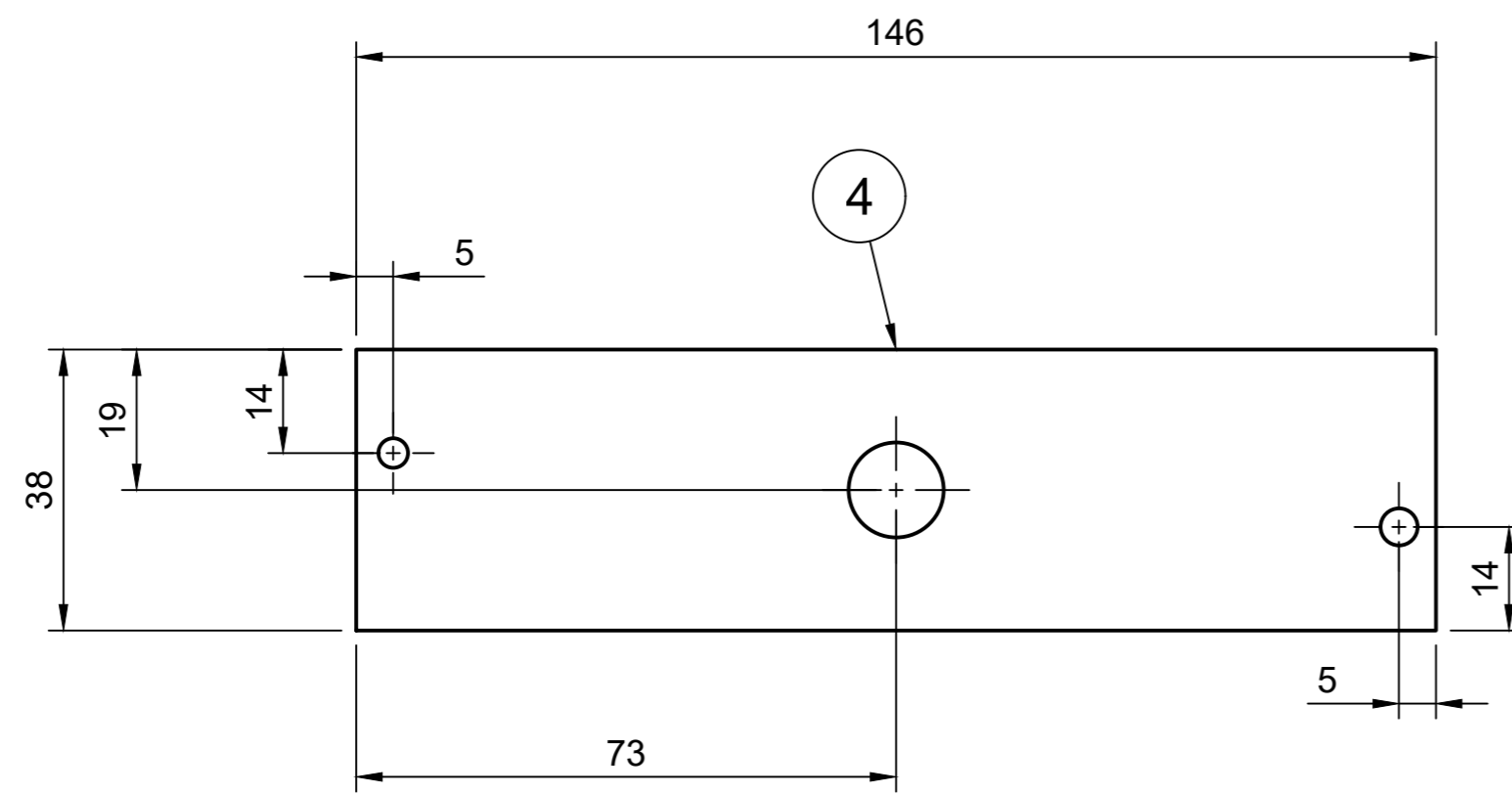
Created by:		
Karl Clarke		
www.737DIYSIM.com		
Title:		
OVHD VOICE REC PANEL		
Rev.	Date of issue	Sheet
		2/4

Parts List		
Item	Qty	Part Number
3	1	FACEPLATE



Created by: Karl Clarke		
www.737DIYSIM.com		
Title: OVHD VOICE REC PANEL		
Rev.	Date of issue	Sheet 3/4

Parts List		
Item	Qty	Part Number
4	1	BACKPLATE



	Created by:		Karl Clarke
			www.737DIYSIM.com
	Title:		OVHD VOICE REC PANEL
	Rev.	Date of issue	Sheet
			4/4