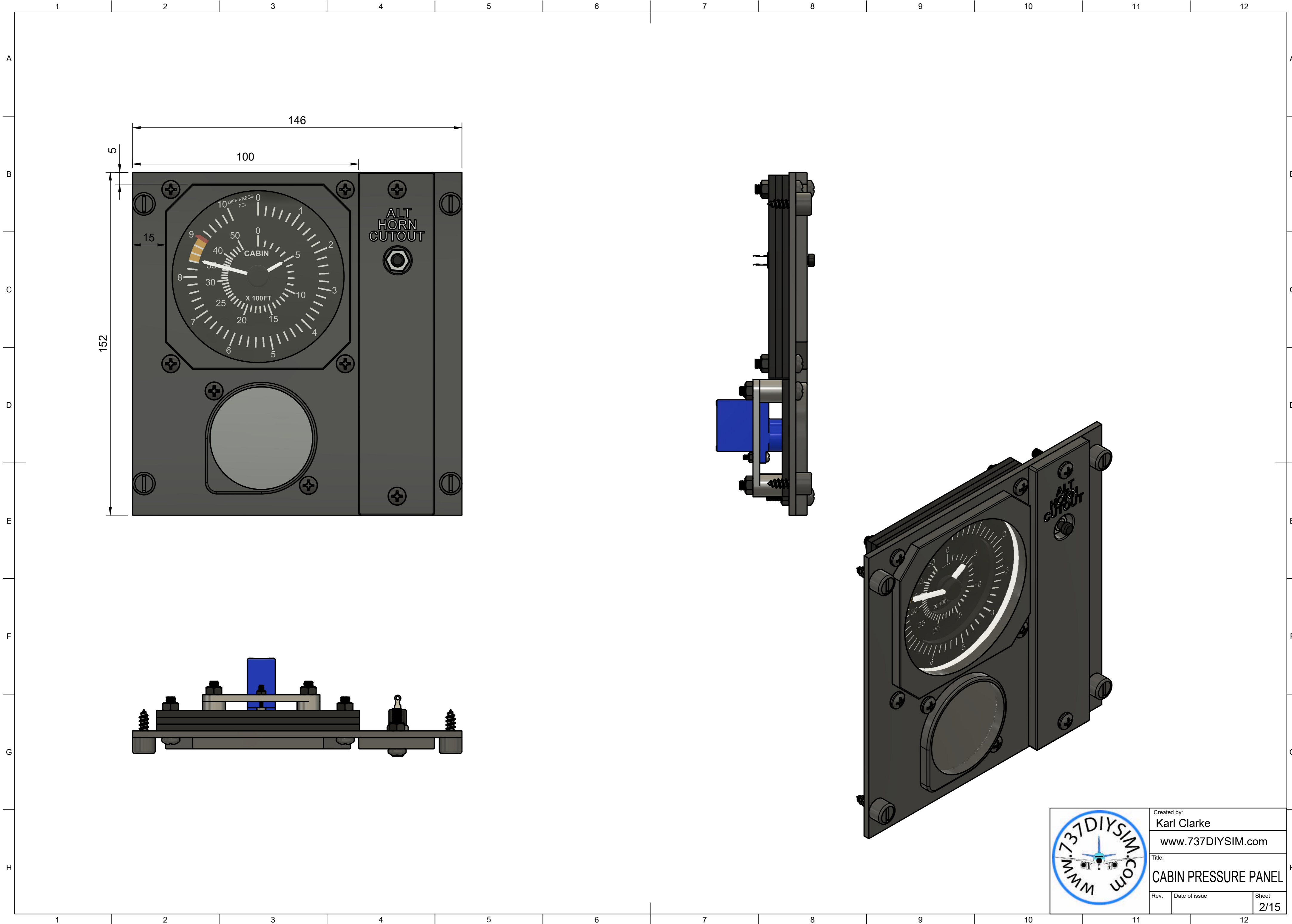


Parts List		
Item	Qty	Part Number
1	1	HORN FACEPLATE
2	1	GAUGE CASE SM
3	1	GAUGE CASE LG
4	1	GAUGE SPACER
5	1	GAUGE BACKPLATE (1)
6	1	OVHD FUEL TEMP NEEDLE v1
7	1	OVHD FUEL TEMP NEEDLE v1 (1)
8	1	GAUGE LG LENS
9	1	GAUGE SM BACKPLATE
10	1	OVHD FUEL TEMP NEEDLE
11	1	FR90R Servo
12	2	M2 nut
13	2	M2 x 10mm
14	2	M4 x 28mm
15	8	M4 NUT v1
16	6	M4X22MM
17	1	ELEC PUSH BUTTON JNTS
18	1	GAUAGE SM LENS
19	4	DZUS FASTENER PLASTIC
20	1	BACKPLATE
21	1	GAUGE BACKPLATE
22	1	SERVO SPACER

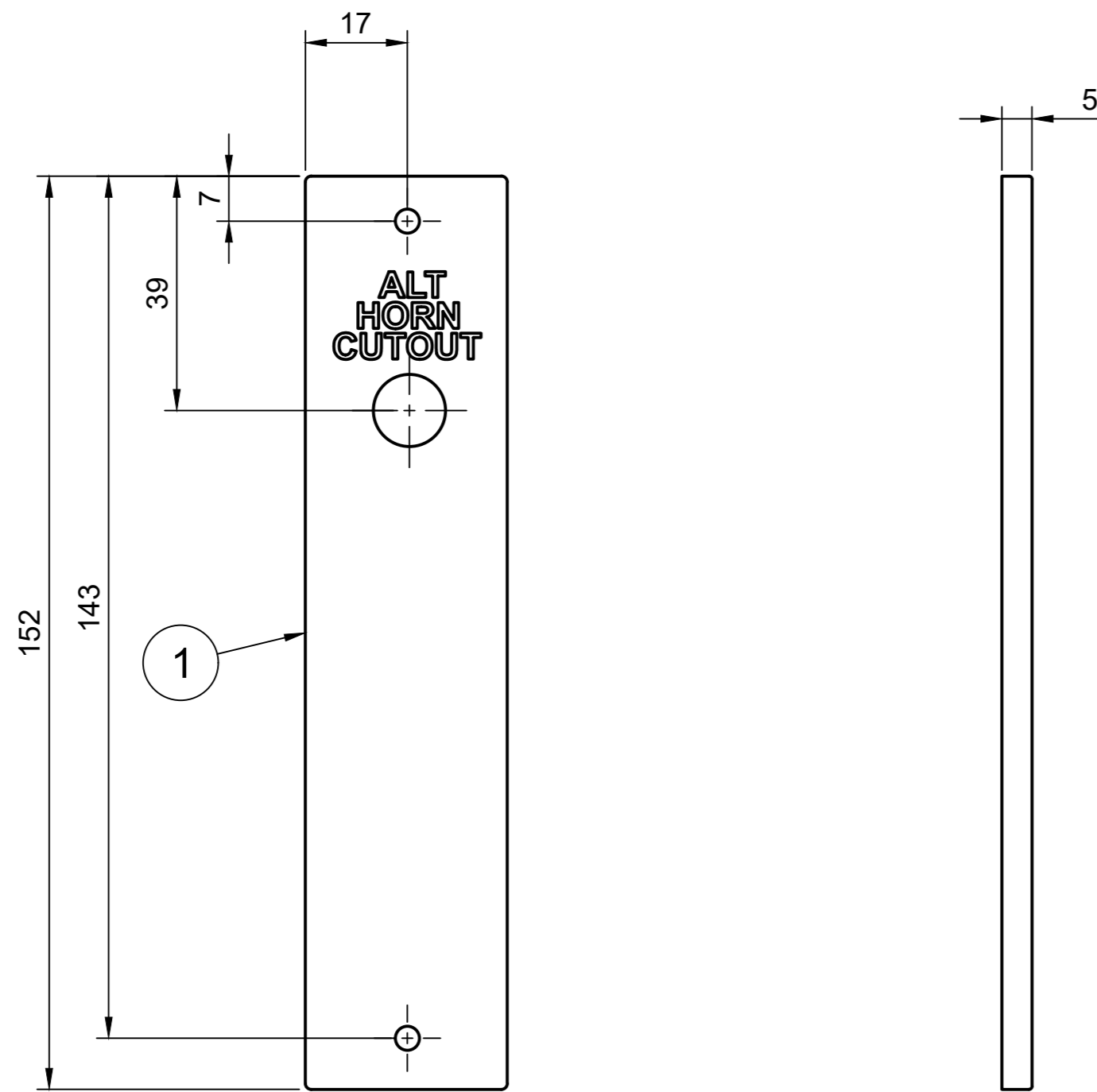


Created by: Karl Clarke		
www.737DIYSIM.com		
Title: CABIN PRESSURE PANEL		
Rev.	Date of issue	Sheet 1/15




Created by:		
Karl Clarke		
www.737DIYSIM.com		
Title:		
CABIN PRESSURE PANEL		
Rev.	Date of issue	Sheet
		2/15

Parts List		
Item	Qty	Part Number
1	1	HORN FACEPLATE

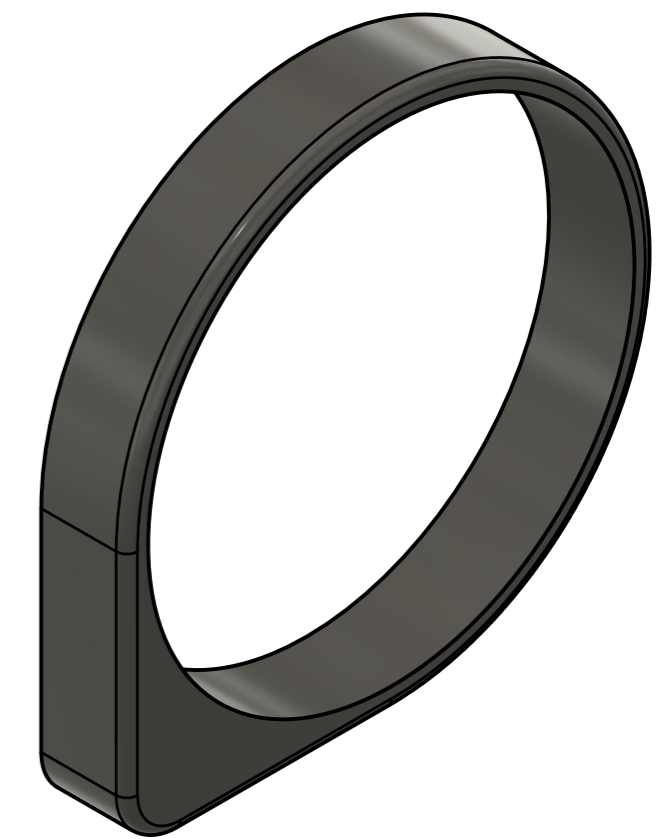
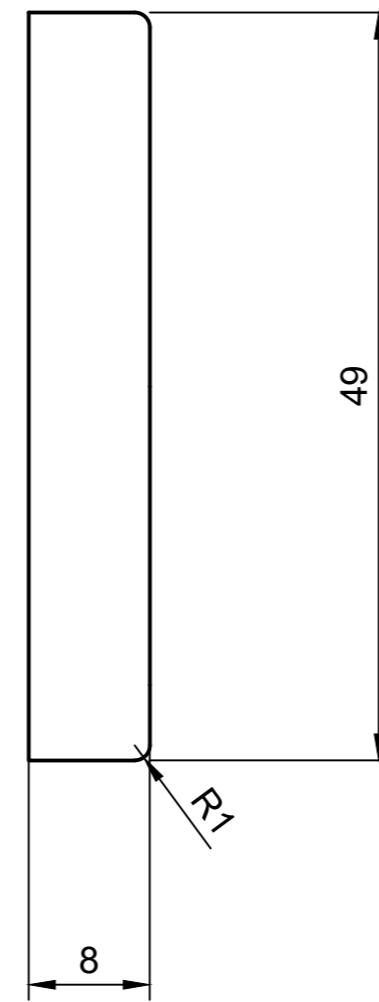
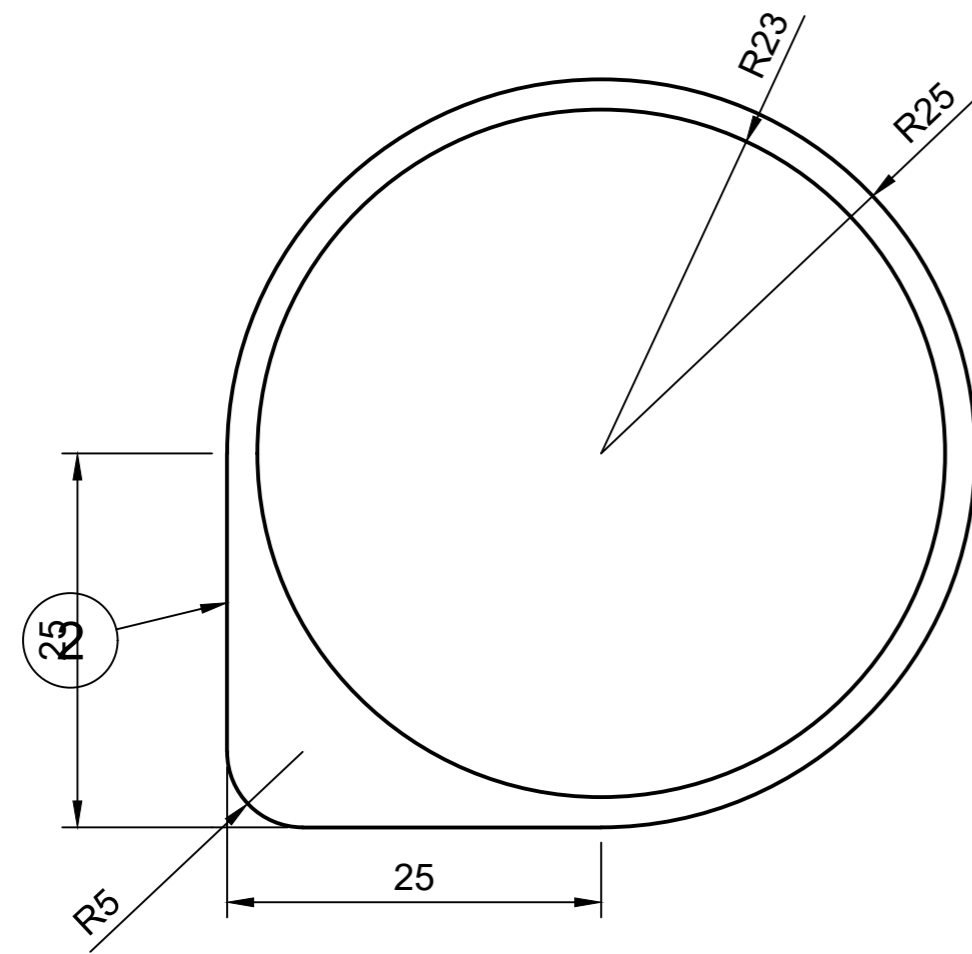


FOR FULL DIMENSIONS SEE CAD DESIGN

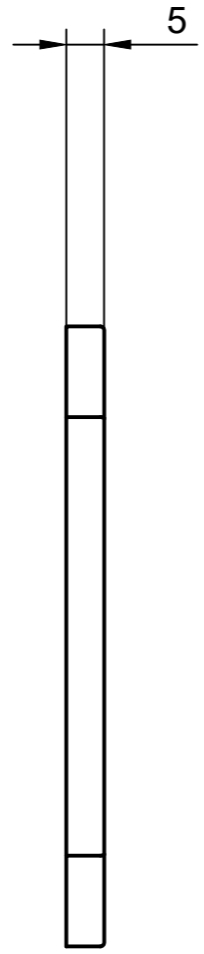
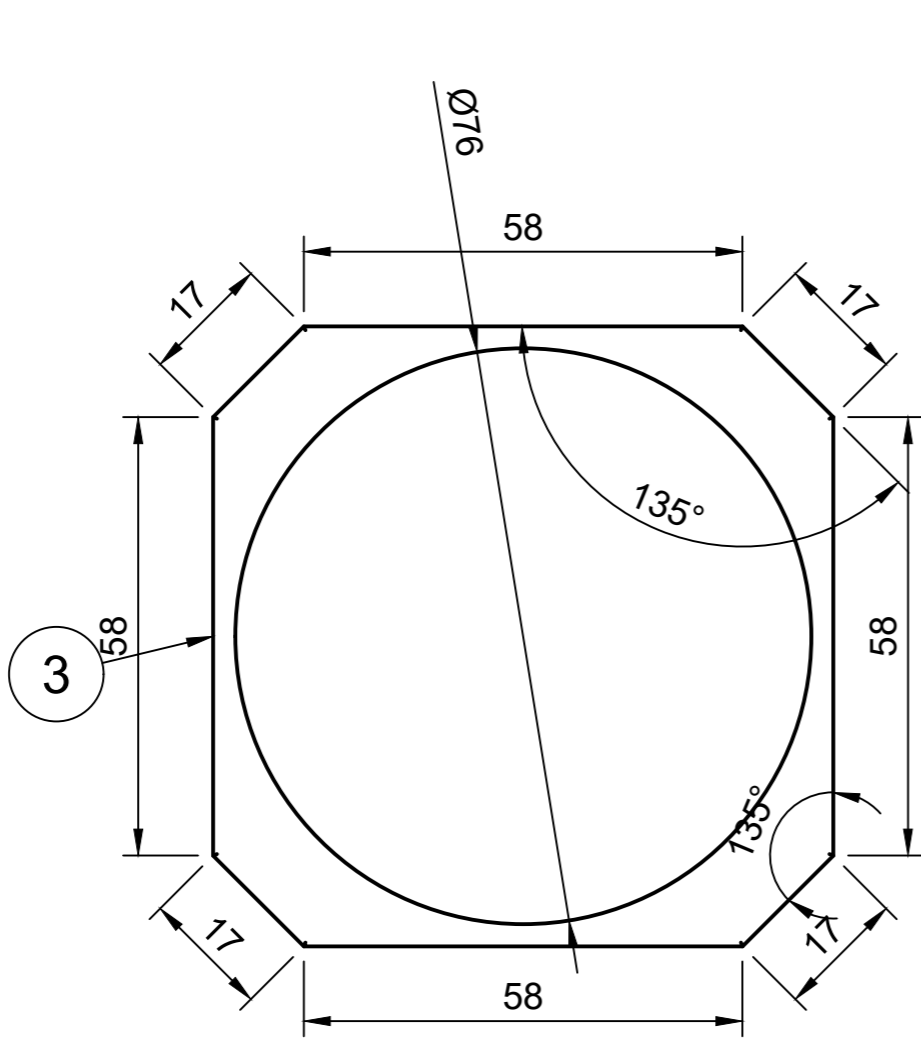


	Created by: Karl Clarke	
	www.737DIYSIM.com	
	Title: CABIN PRESSURE PANEL	
Rev.	Date of issue	Sheet 3/15

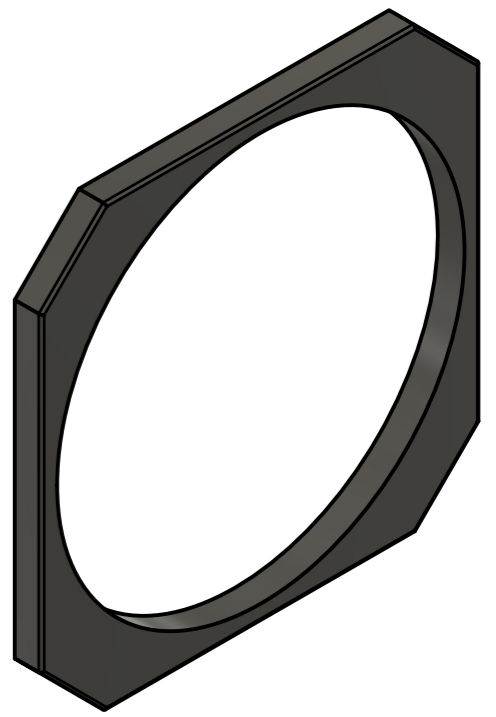
Parts List		
Item	Qty	Part Number
2	1	GAUGE CASE SM



	Created by:		Karl Clarke
			www.737DIYSIM.com
	Title:		CABIN PRESSURE PANEL
	Rev.	Date of issue	Sheet
			4/15



FOR FULL DIMENSIONS SEE CAD DESIGN



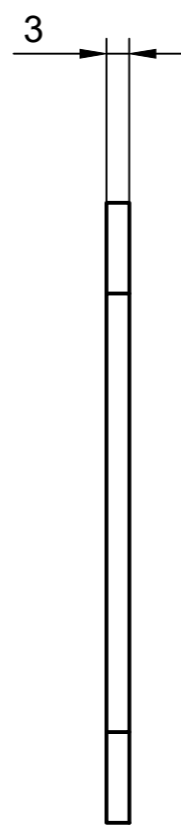
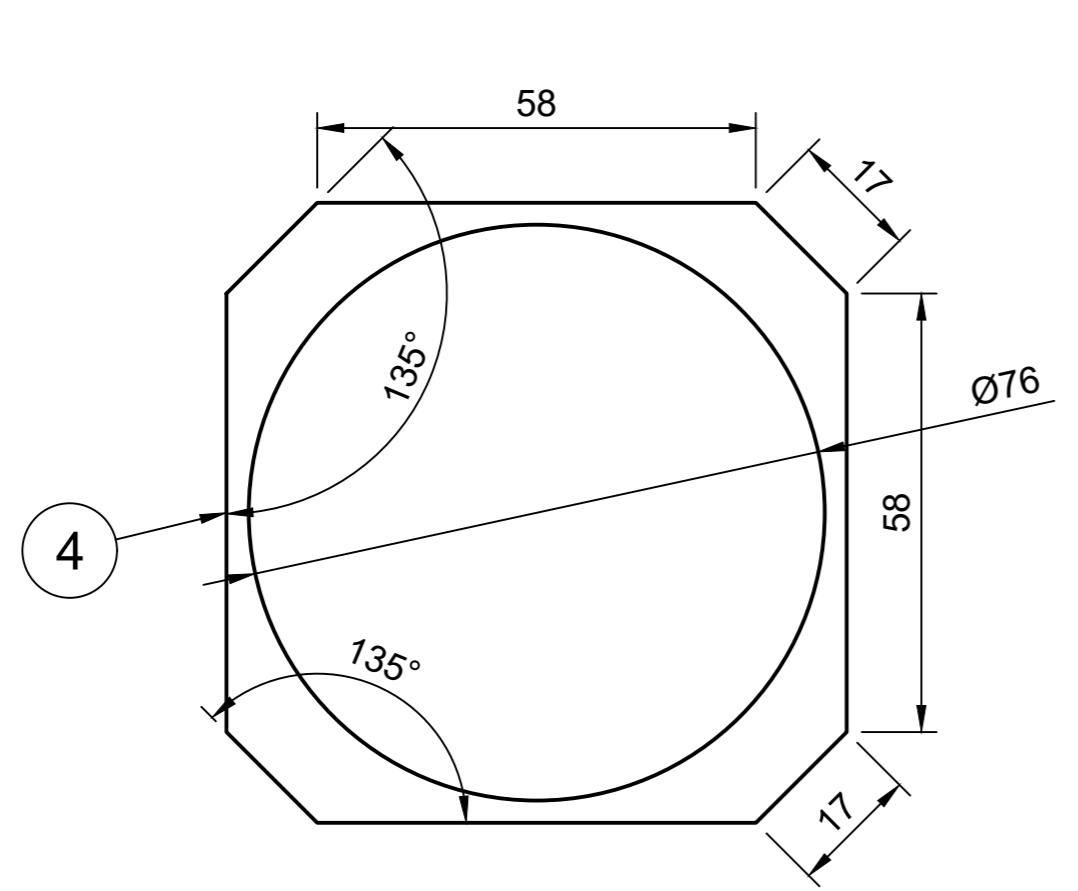
Parts List		
Item	Qty	Part Number
3	1	GAUGE CASE LG

	Created by:		Karl Clarke
			www.737DIYSIM.com
	Title:		CABIN PRESSURE PANEL
	Rev.	Date of issue	Sheet
			5/15

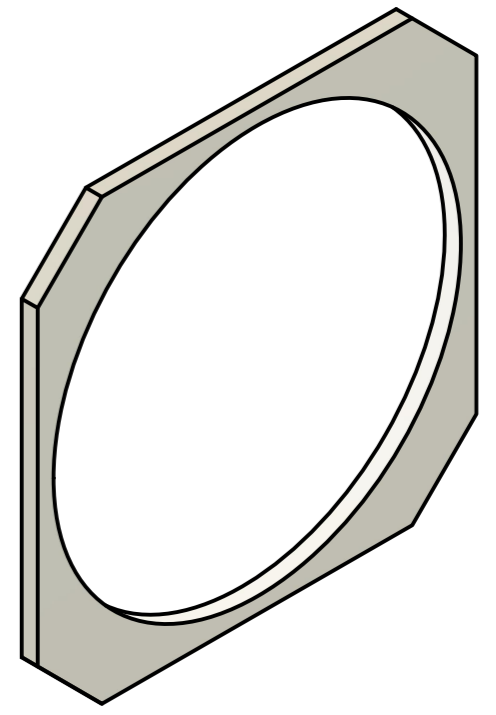
1 2 3 4 5 6 7 8 9 10 11 12

A
B
C
D
E
F
G
H

Parts List		
Item	Qty	Part Number
4	1	GAUGE SPACER



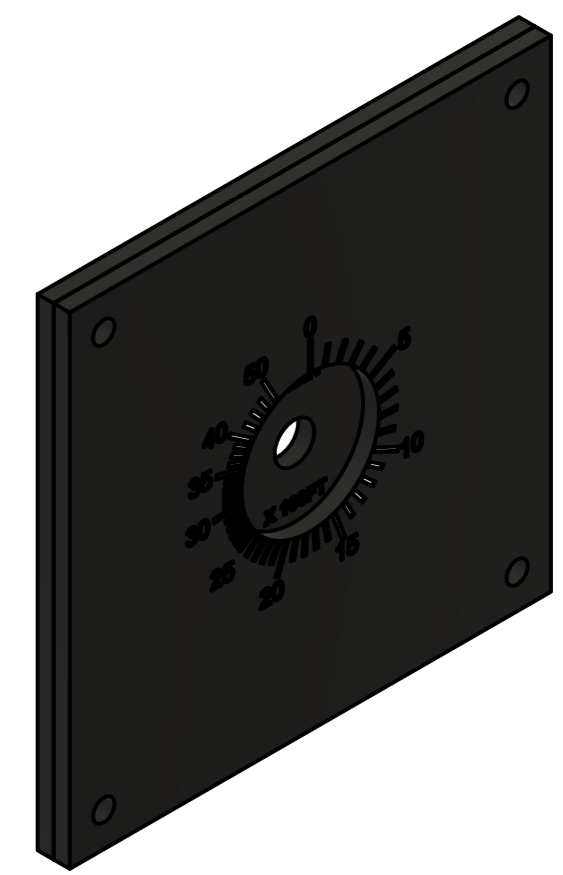
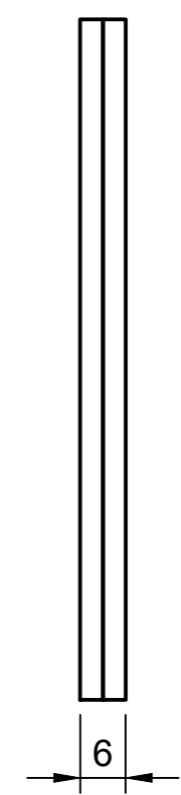
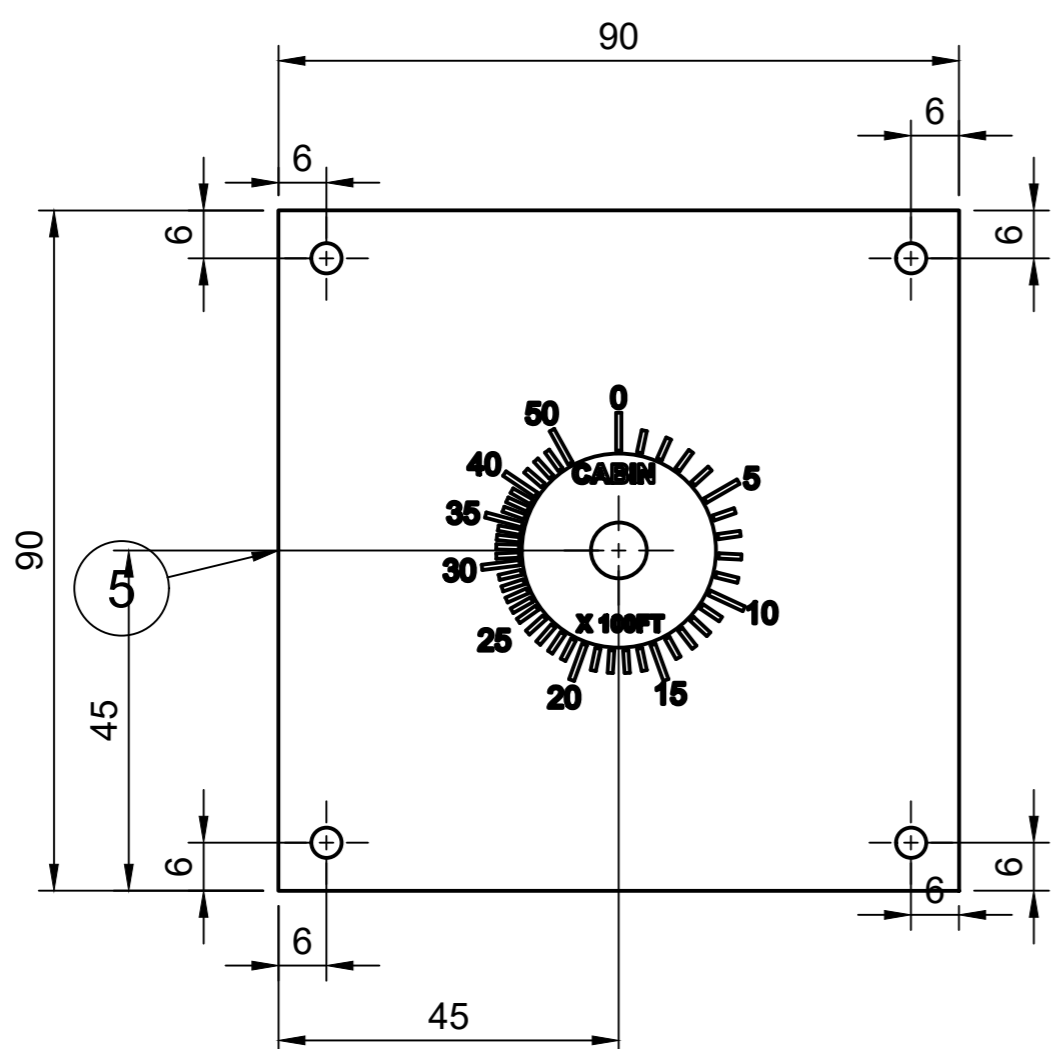
FOR FULL DIMENSIONS SEE CAD DESIGN



Created by: Karl Clarke		
www.737DIYSIM.com		
Title: CABIN PRESSURE PANEL		
Rev.	Date of issue	Sheet 6/15

1 2 3 4 5 6 7 8 9 10 11 12

Parts List		
Item	Qty	Part Number
5	1	GAUGE BACKPLATE (1)



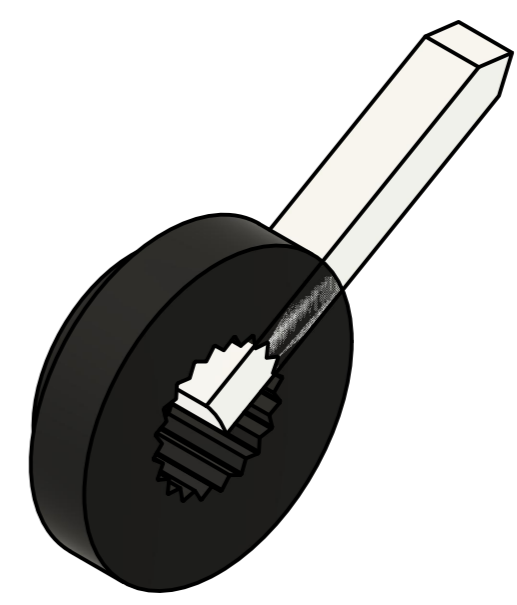
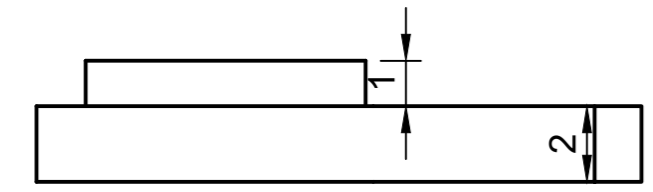
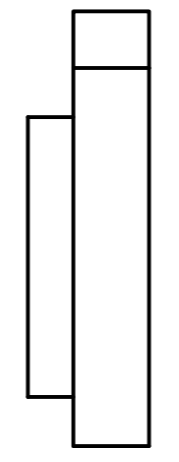
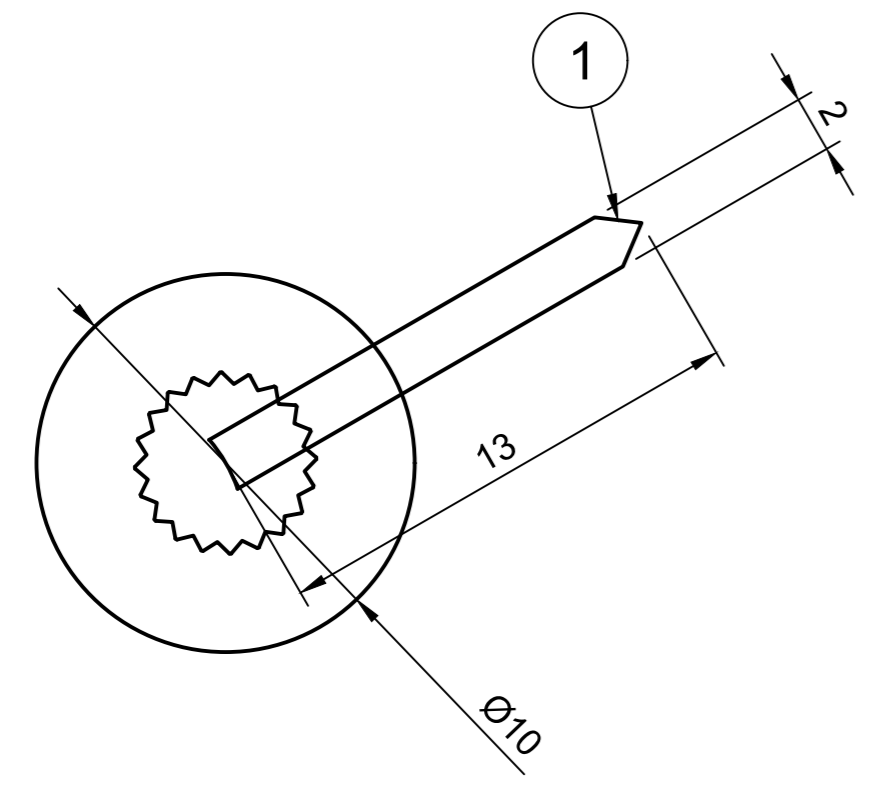
FOR FULL DIMENSIONS SEE CAD DESIGN

	Created by:		Karl Clarke
			www.737DIYSIM.com
	Title:		CABIN PRESSURE PANEL
	Rev.	Date of issue	Sheet
			7/15

1 2 3 4 5 6 7 8 9 10 11 12

A
B
C
D
E
F
G
H

Parts List		
Item	Qty	Part Number
1	1	Fuel Gauge Needle



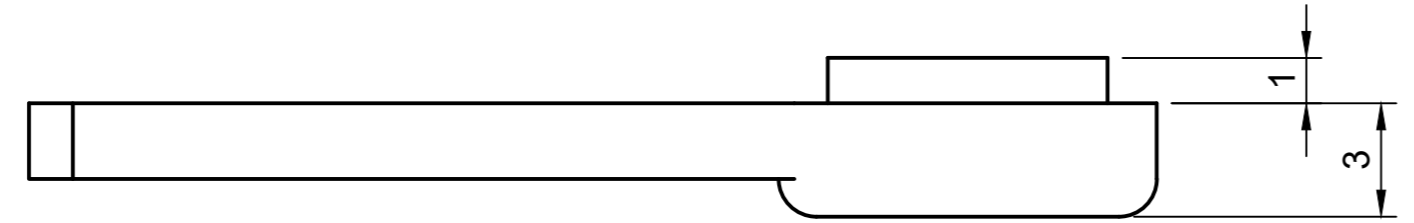
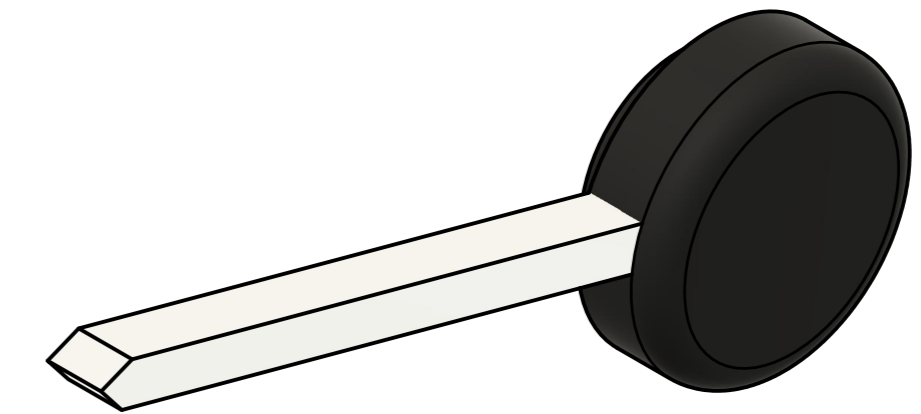
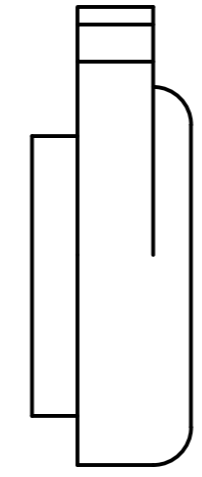
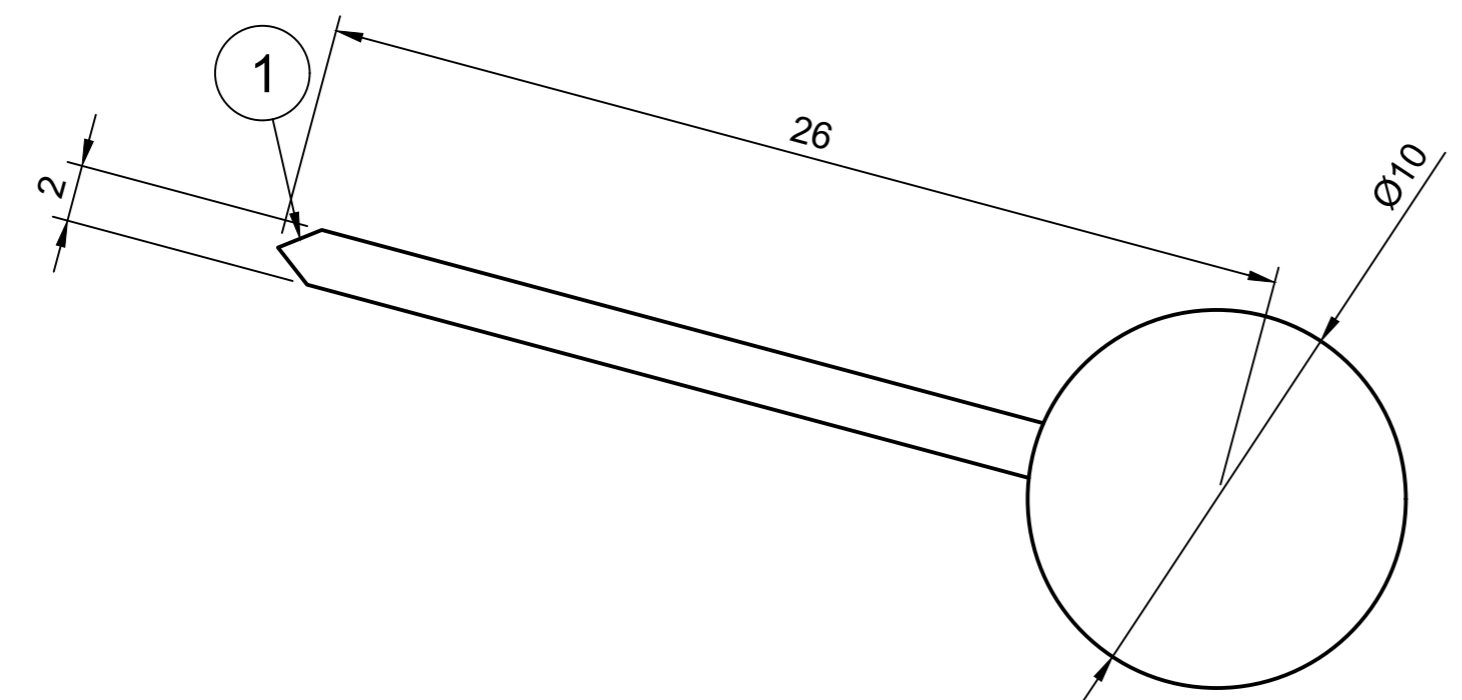
	Created by:		Karl Clarke
			www.737DIYSIM.com
	Title:		CABIN PRESSURE PANEL
	Rev.	Date of issue	Sheet
			8/15

1 2 3 4 5 6 7 8 9 10 11 12

1 2 3 4 5 6 7 8 9 10 11 12

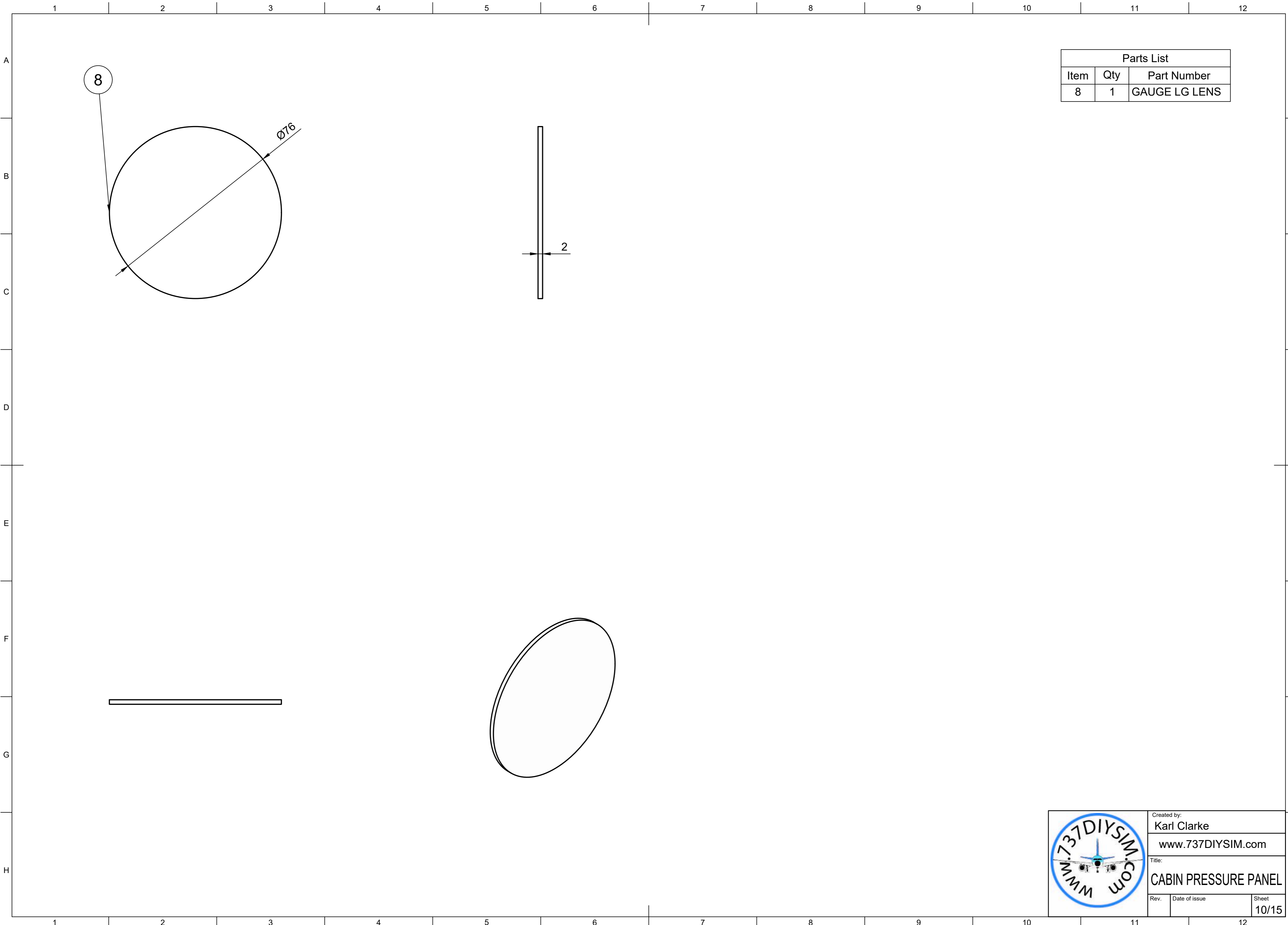
A B C D E F G H

Parts List		
Item	Qty	Part Number
1	1	Fuel Gauge Needle (1)



	Created by:		Karl Clarke
			www.737DIYSIM.com
	Title:		CABIN PRESSURE PANEL
	Rev.	Date of issue	Sheet
			9/15

1 2 3 4 5 6 7 8 9 10 11 12

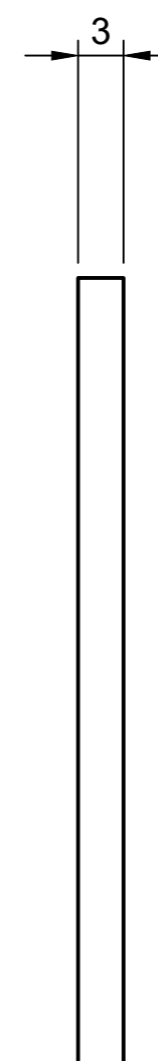
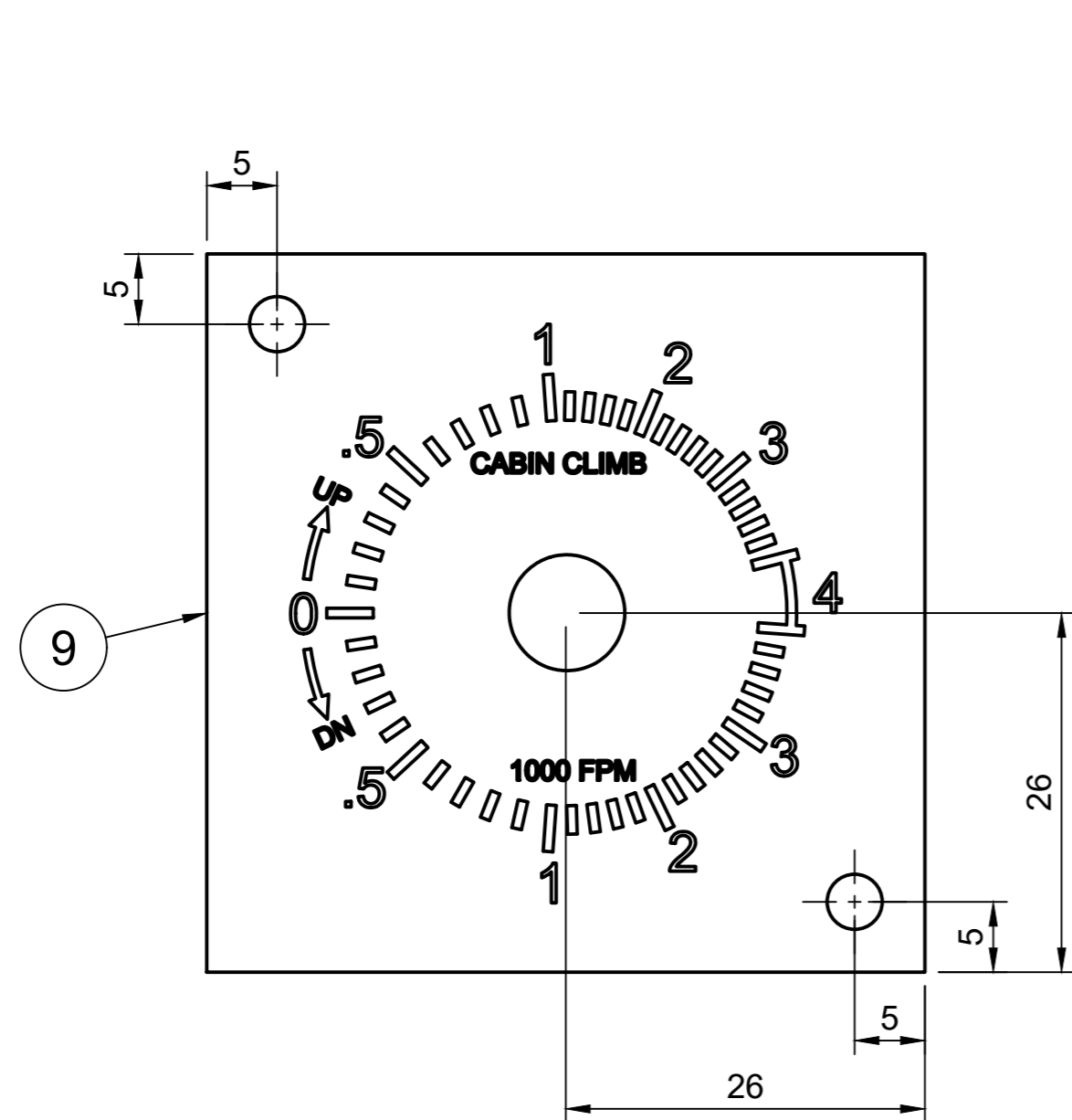


Parts List		
Item	Qty	Part Number
8	1	GAUGE LG LENS

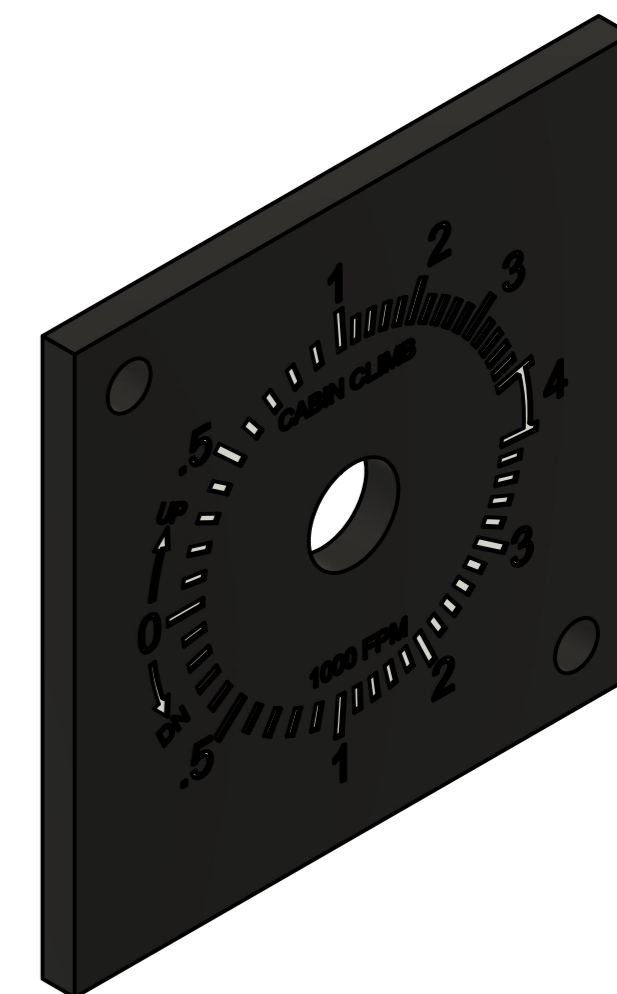


Created by: Karl Clarke		
www.737DIYSIM.com		
Title: CABIN PRESSURE PANEL		
Rev.	Date of issue	Sheet 10/15

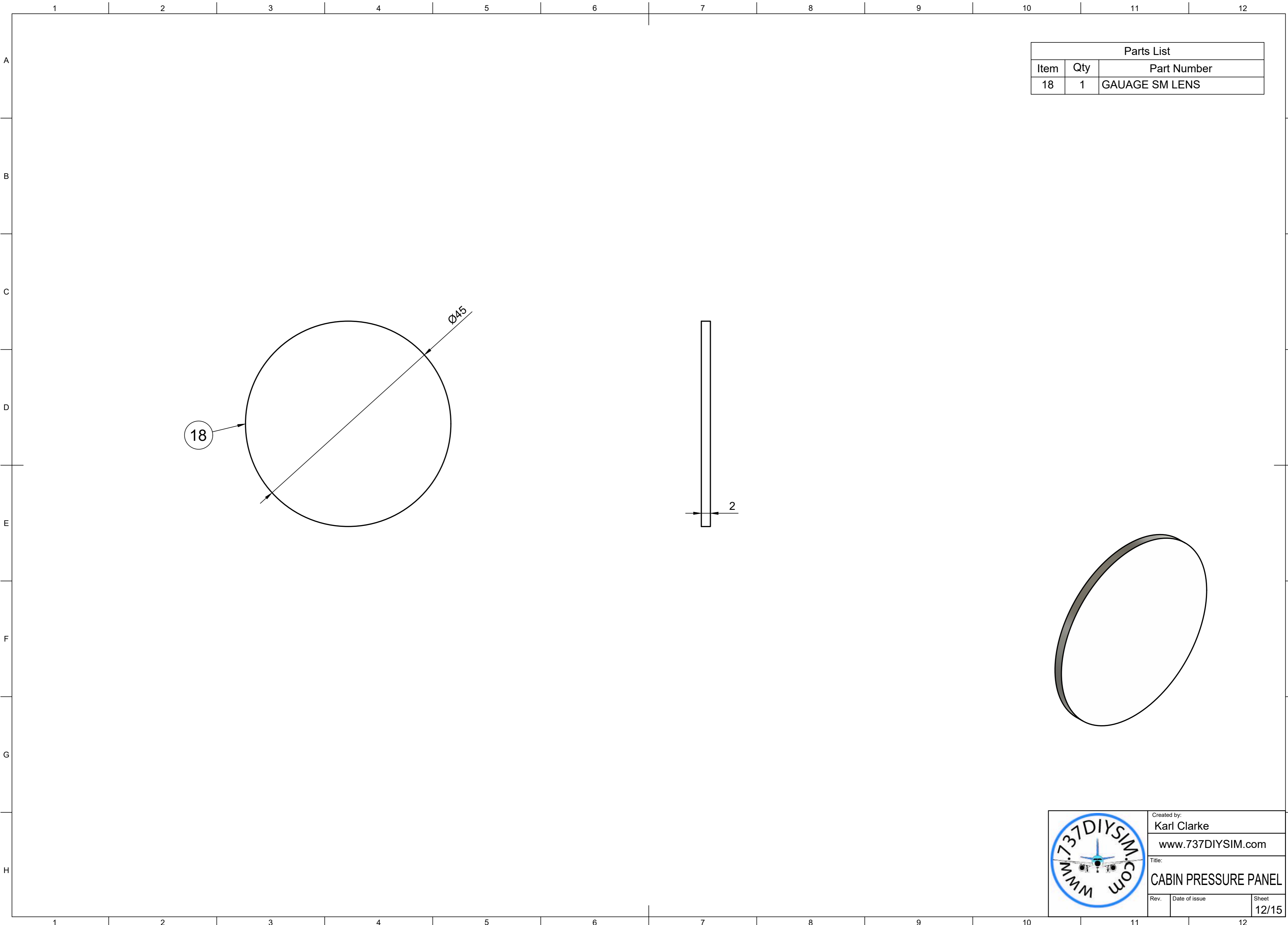
Parts List		
Item	Qty	Part Number
9	1	GAUGE SM BACKPLATE



FOR FULL DIMENSIONS SEE CAD DESIGN



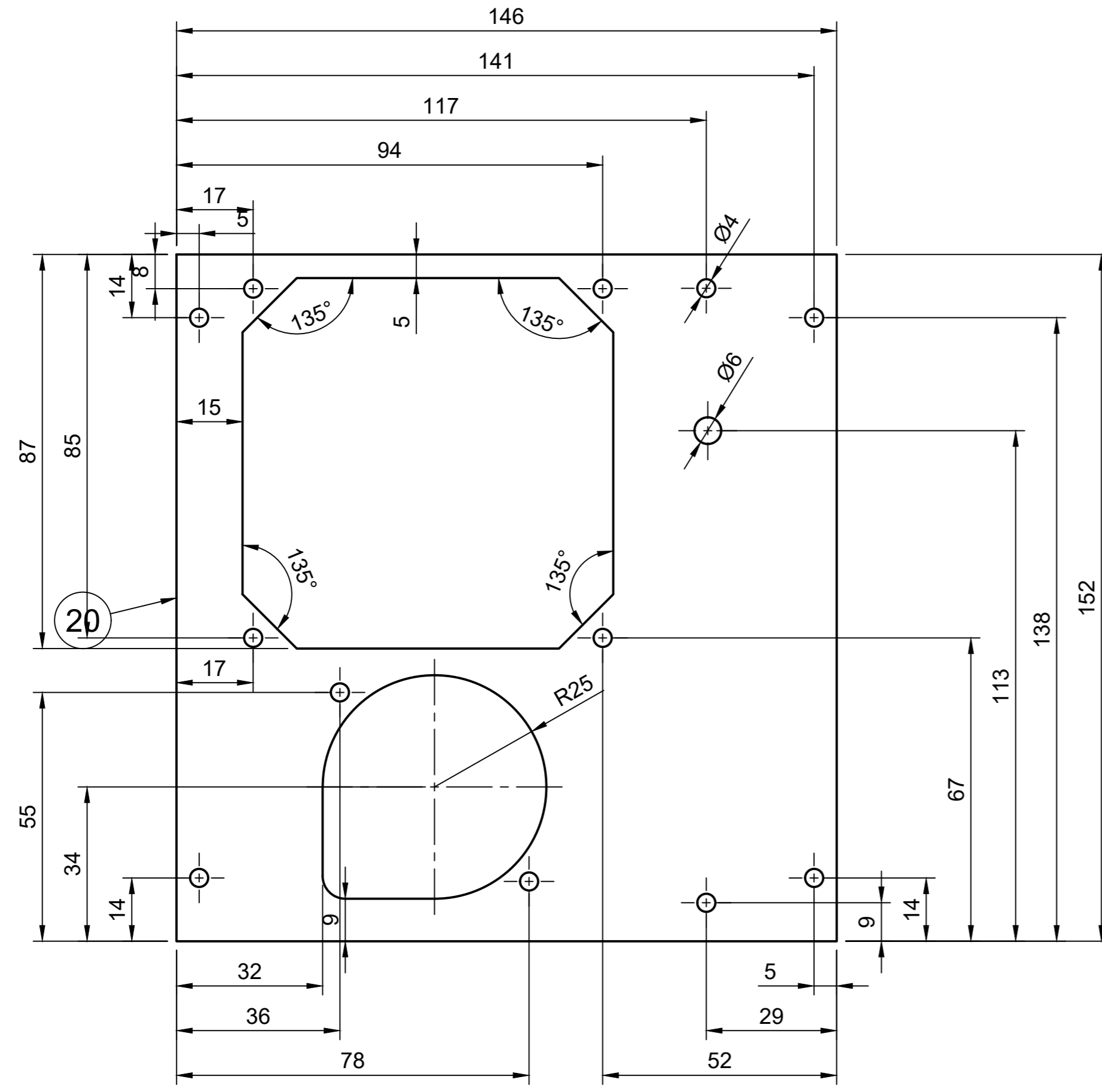
Created by: Karl Clarke		
www.737DIYSIM.com		
Title: CABIN PRESSURE PANEL		
Rev.	Date of issue	Sheet 11/15



Parts List		
Item	Qty	Part Number
18	1	GAUAGE SM LENS

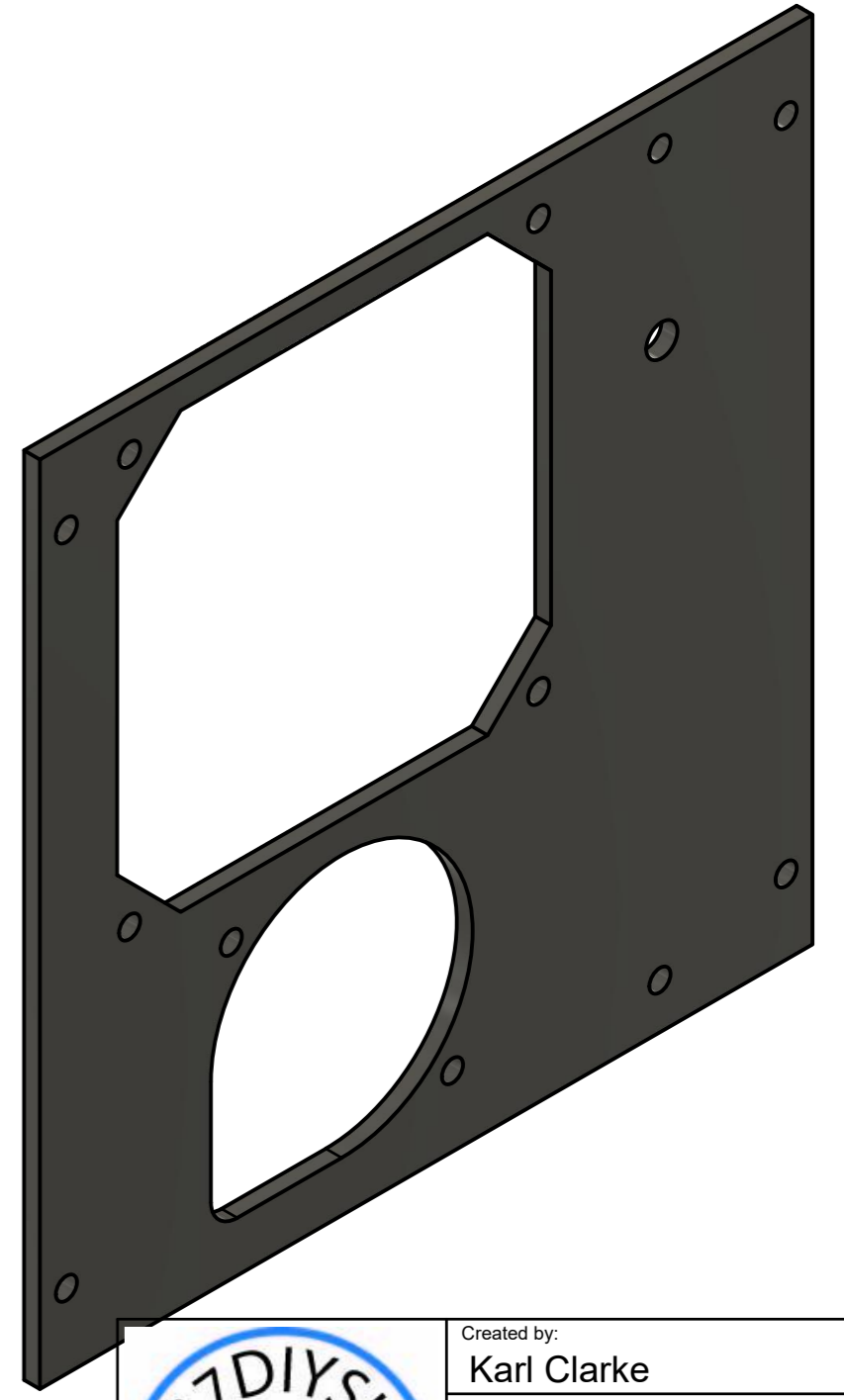


Created by: Karl Clarke		
www.737DIYSIM.com		
Title: CABIN PRESSURE PANEL		
Rev.	Date of issue	Sheet 12/15



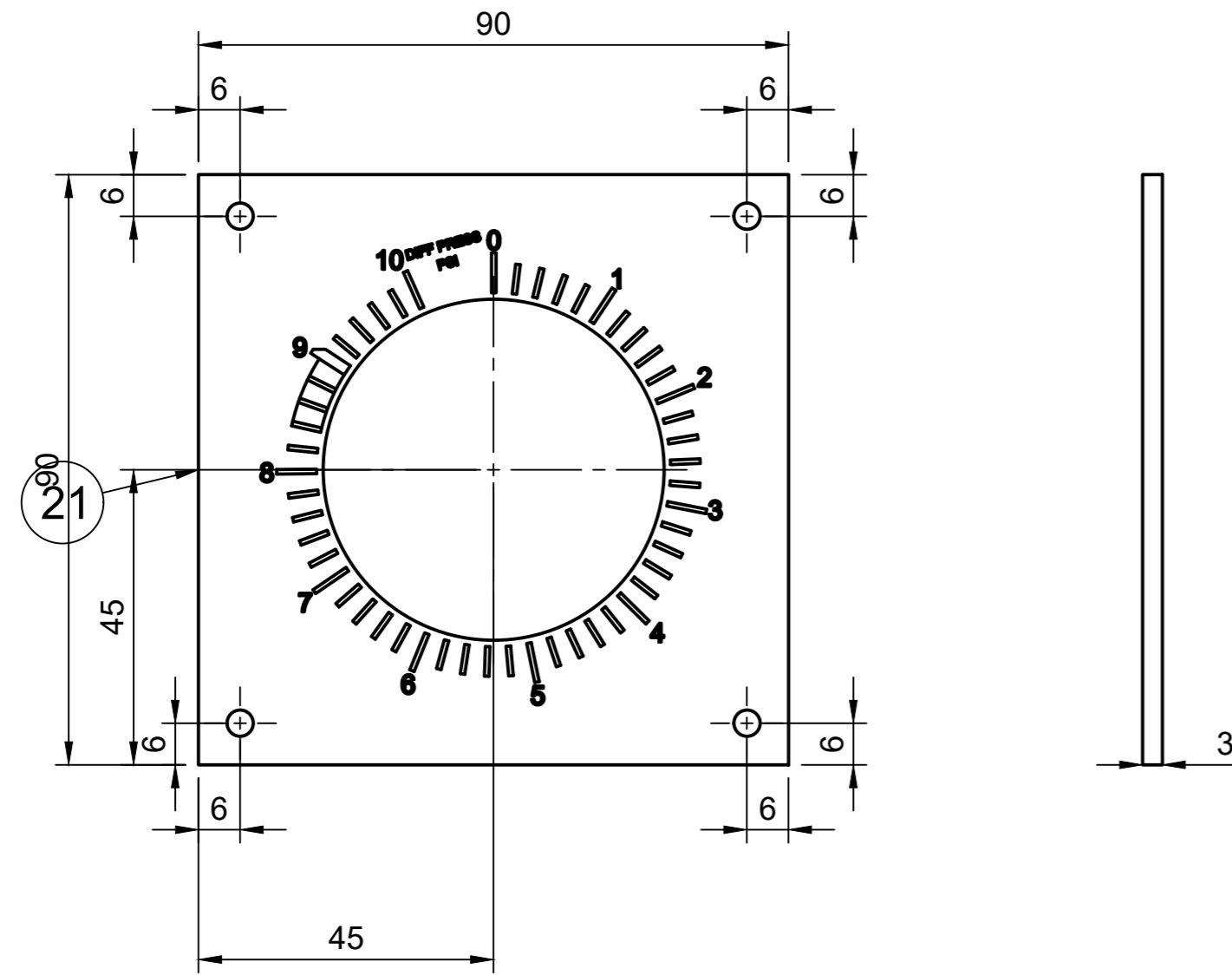
Parts List		
Item	Qty	Part Number
20	1	BACKPLATE

FOR FULL DIMENSIONS SEE CAD DESIGN

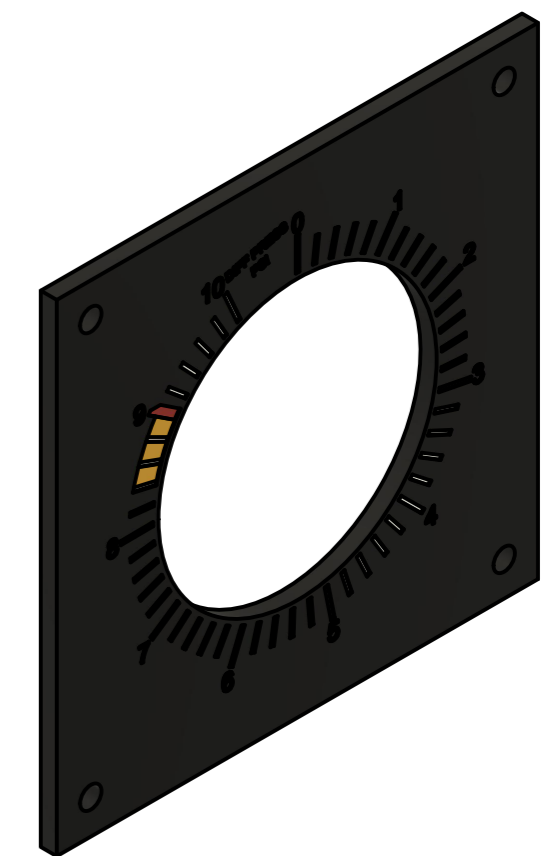


Created by: Karl Clarke		
www.737DIYSIM.com		
Title: CABIN PRESSURE PANEL		
Rev.	Date of issue	Sheet 13/15

Parts List		
Item	Qty	Part Number
21	1	GAUGE BACKPLATE

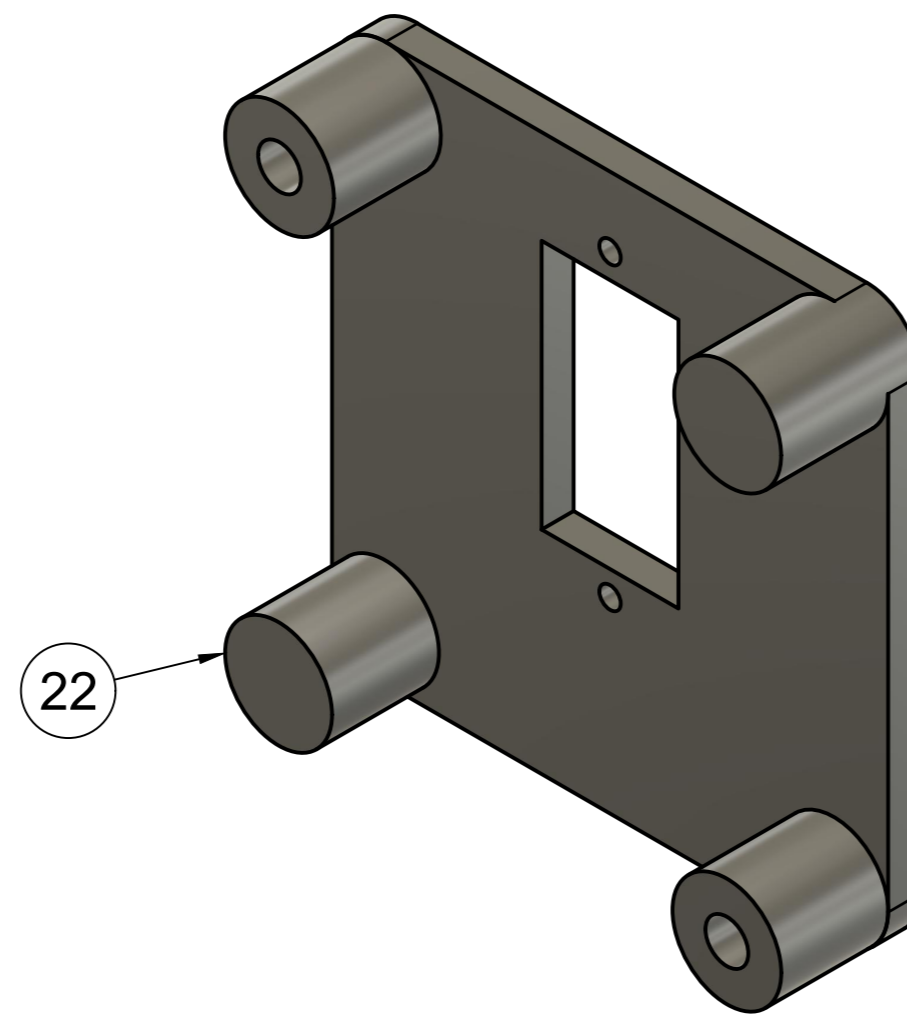


FOR FULL DIMENSIONS SEE CAD DESIGN



Created by: Karl Clarke		
www.737DIYSIM.com		
Title: CABIN PRESSURE PANEL		
Rev.	Date of issue	Sheet 14/15

Parts List		
Item	Qty	Part Number
22	1	SERVO SPACER



FOR FULL DIMENSIONS SEE CAD DESIGN



Created by: Karl Clarke		
www.737DIYSIM.com		
Title: CABIN PRESSURE PANEL		
Rev.	Date of issue	Sheet 15/15