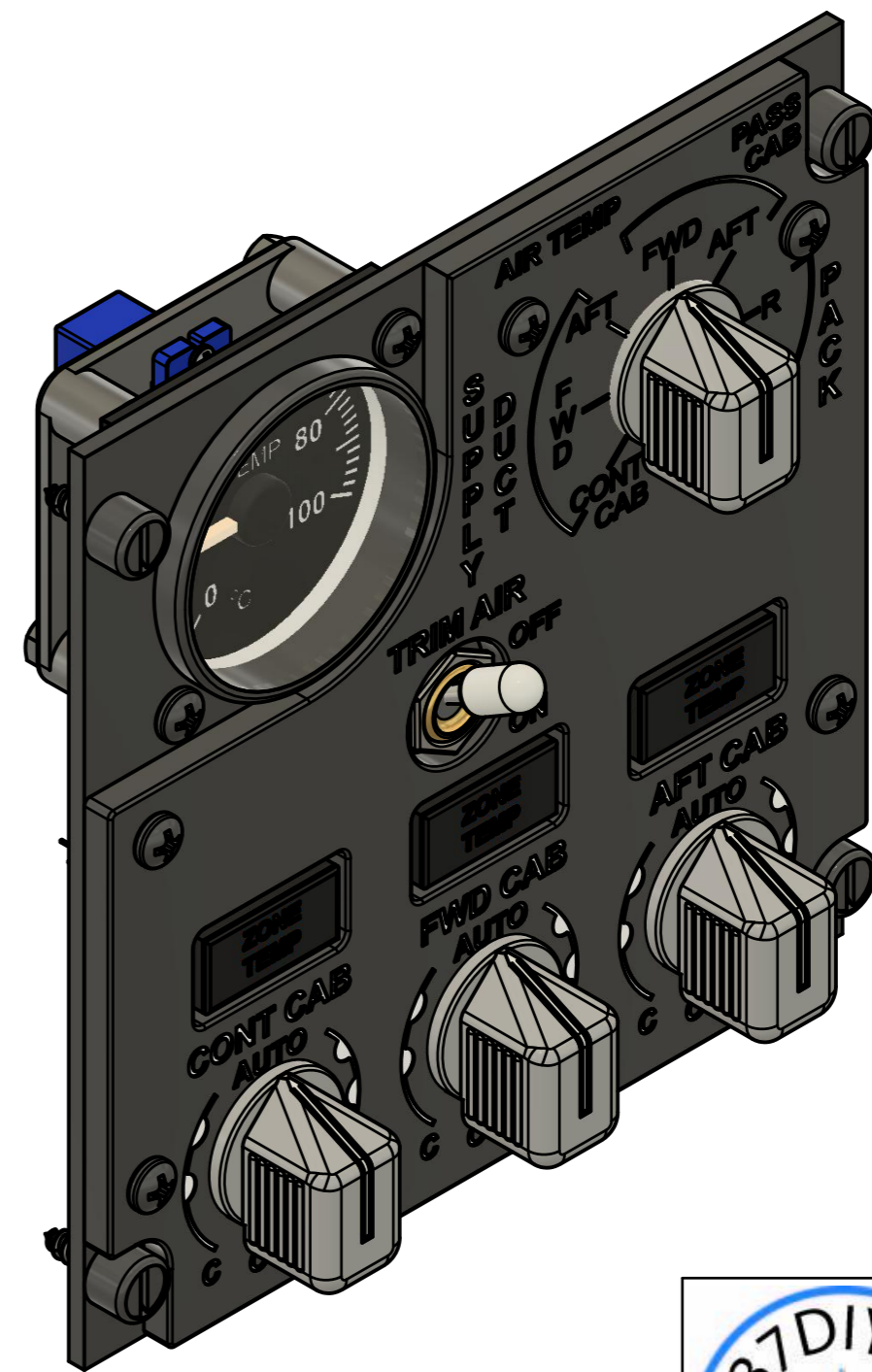
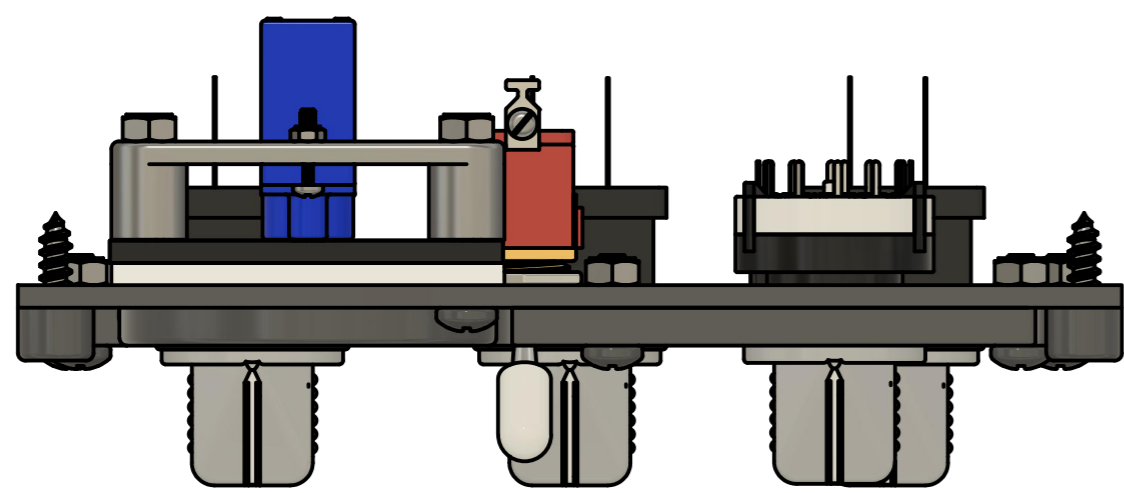
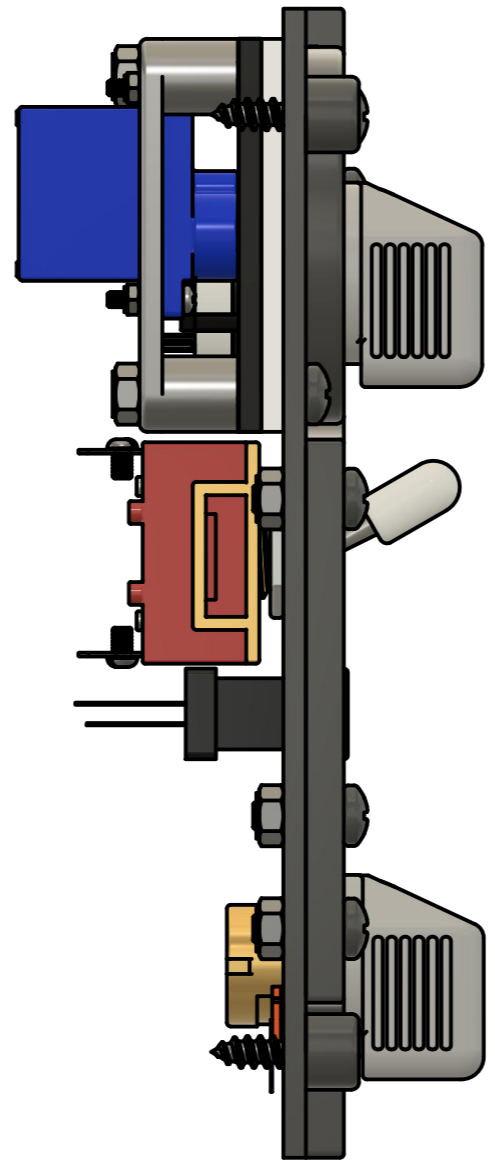
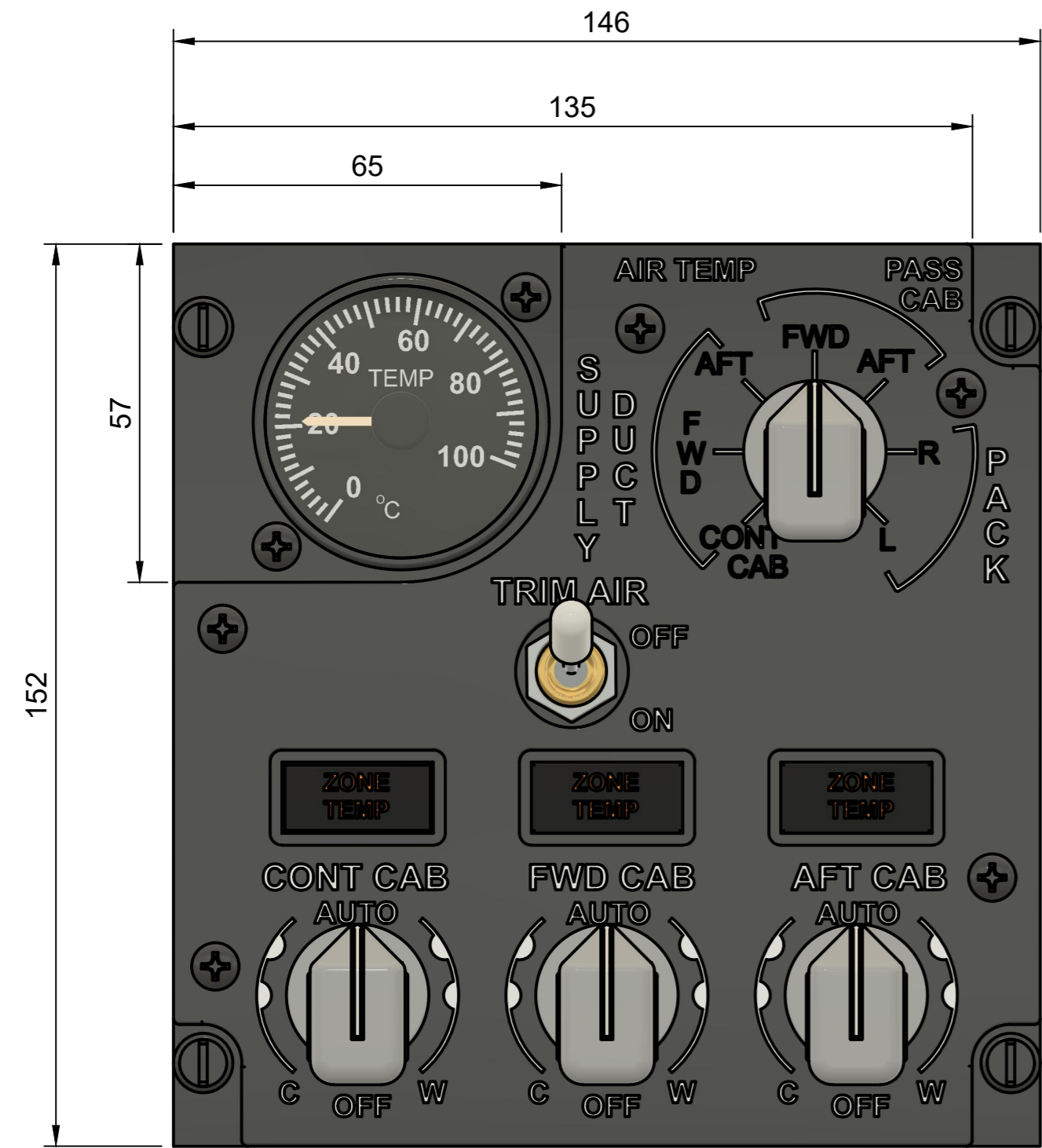


Parts List		
Item	Qty	Part Number
1	1	FACEPLATE
2	1	GAUGE CASE
3	1	12 POS ROTARY SW NEW
4	3	POTENIOMETER
5	1	TOGGLE SW WTE CAP
6	3	ANNUNICATOR BOX AMBER
7	4	737 General Knob
8	5	M4 X 12MM v1
9	1	GAUGE BACKPLATE
10	1	GAUGE BACKPLATE
11	1	OVHD FUEL TEMP NEEDLE
12	1	FR90R Servo
13	2	M4 x 28mm
14	2	M4 NUT v1 (1)
15	1	GAUGE LENS
16	4	DZUS FASTENER PLASTIC
17	2	M2 x 10mm
18	2	M2 nut
19	1	BACKPLATE

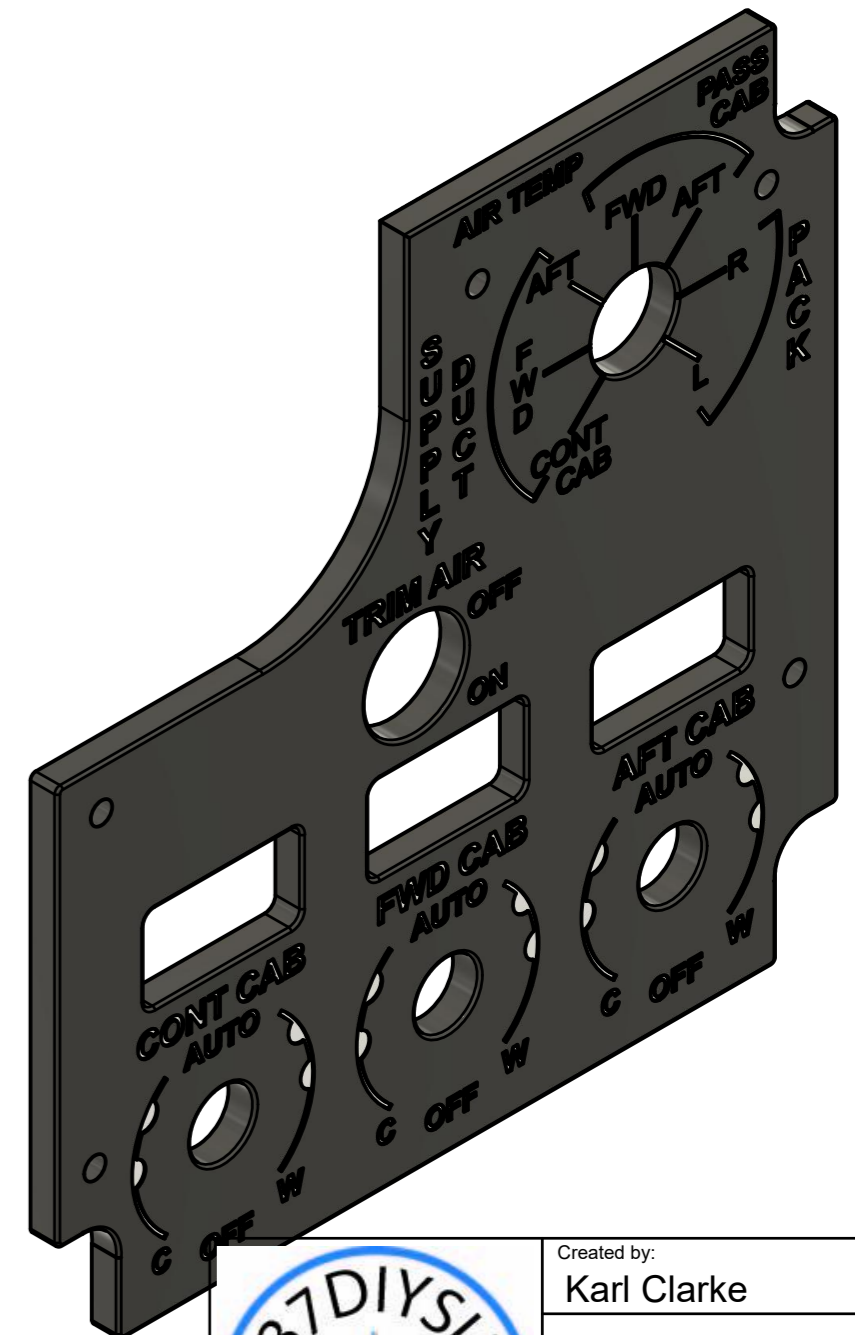
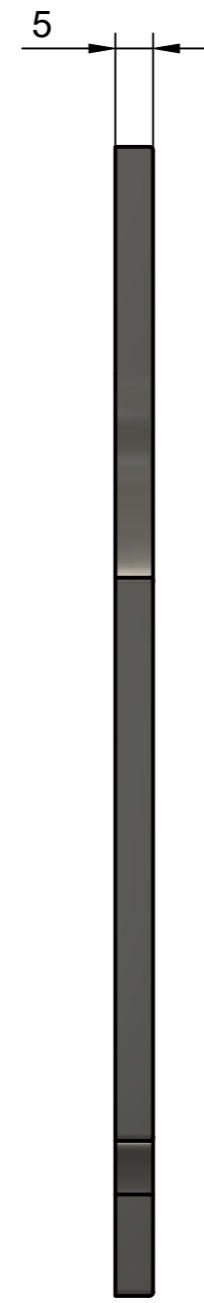
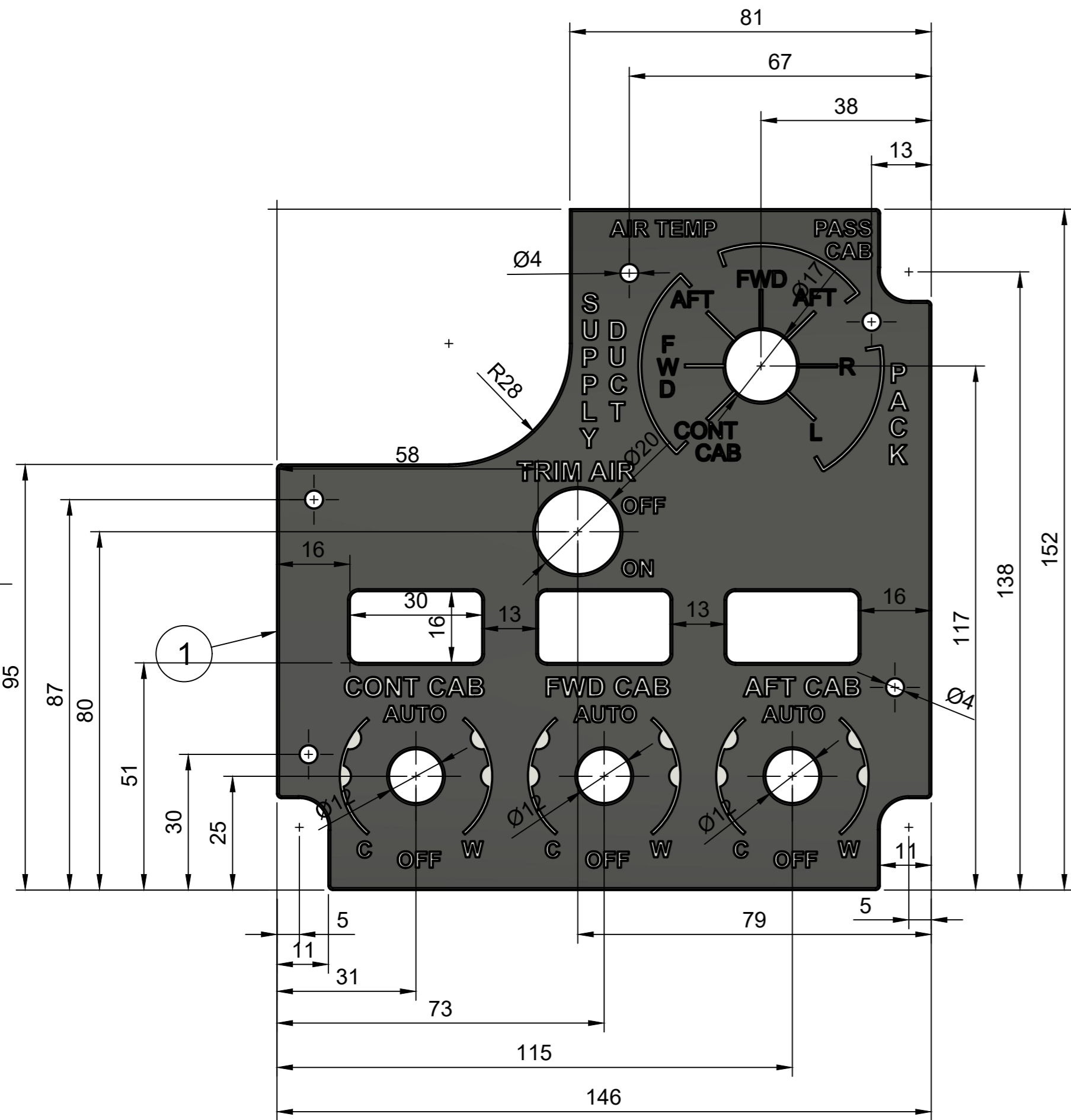


Created by: Karl Clarke		
www.737DIYSIM.com		
Title: OVHD TEMP PANEL		
Rev.	Date of issue	Sheet 1/5



Created by: Karl Clarke		
www.737DIYSIM.com		
Title: OVHD TEMP PANEL		
Rev.	Date of issue	Sheet 2/5

Parts List		
Item	Qty	Part Number
1	1	FACEPLATE

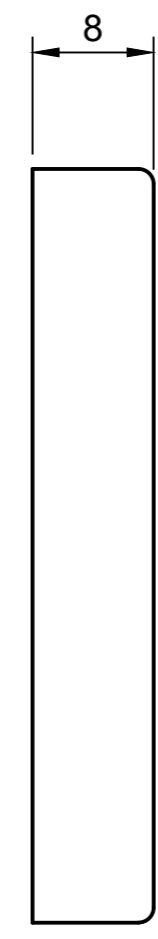
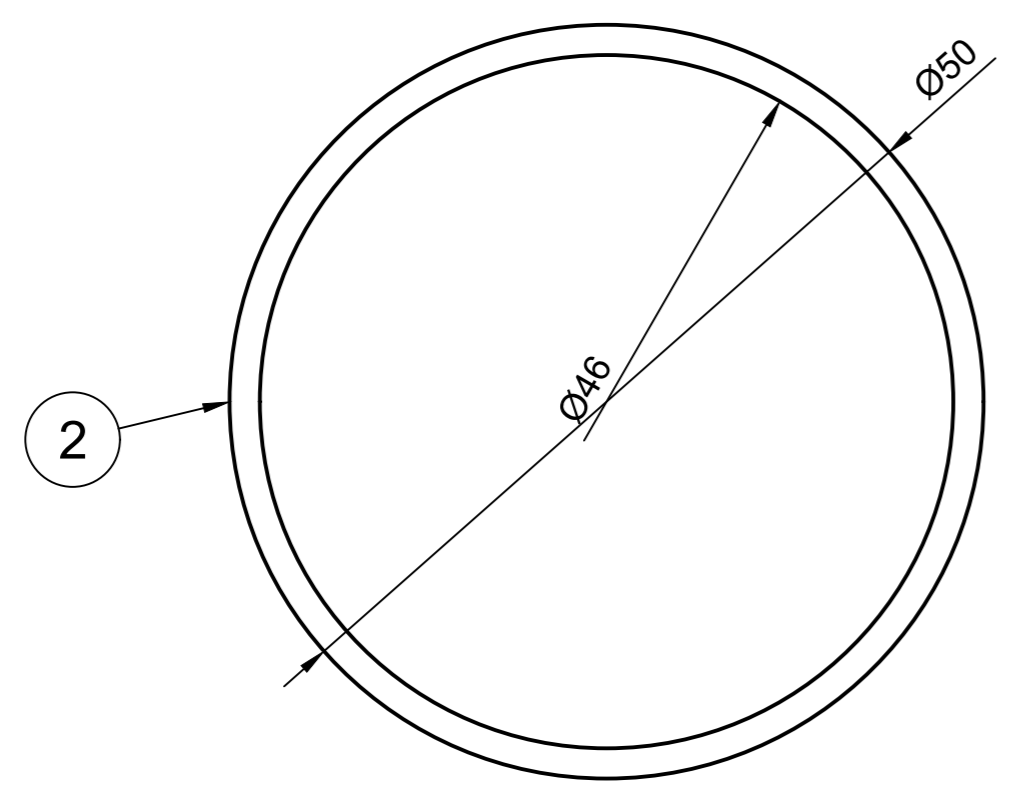


Created by:
Karl Clarke
www.737DIYSIM.com
Title:
OVHD TEMP PANEL
Rev. Date of issue Sheet
3/5

1 2 3 4 5 6 7 8 9 10 11 12

A
B
C
D
E
F
G
H

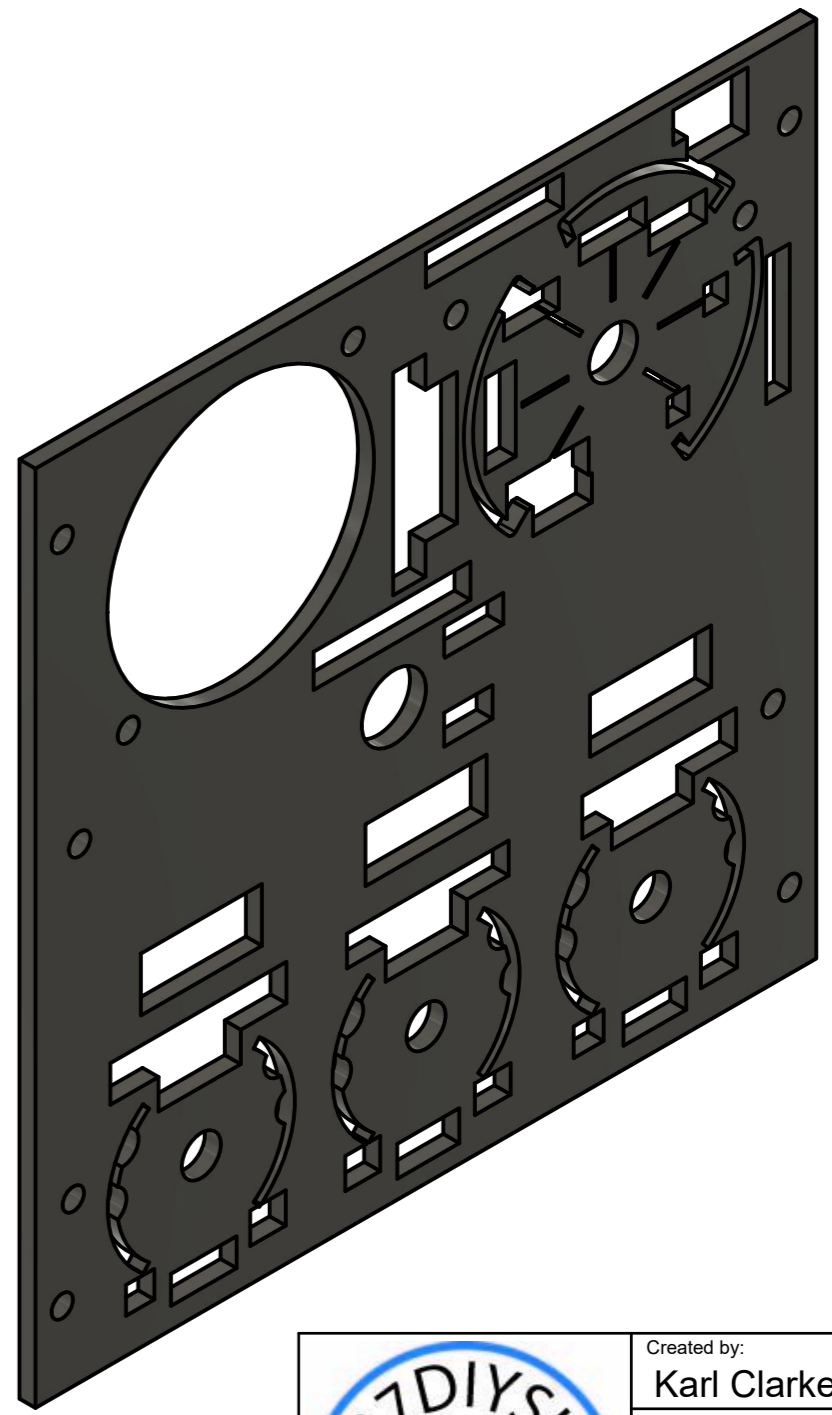
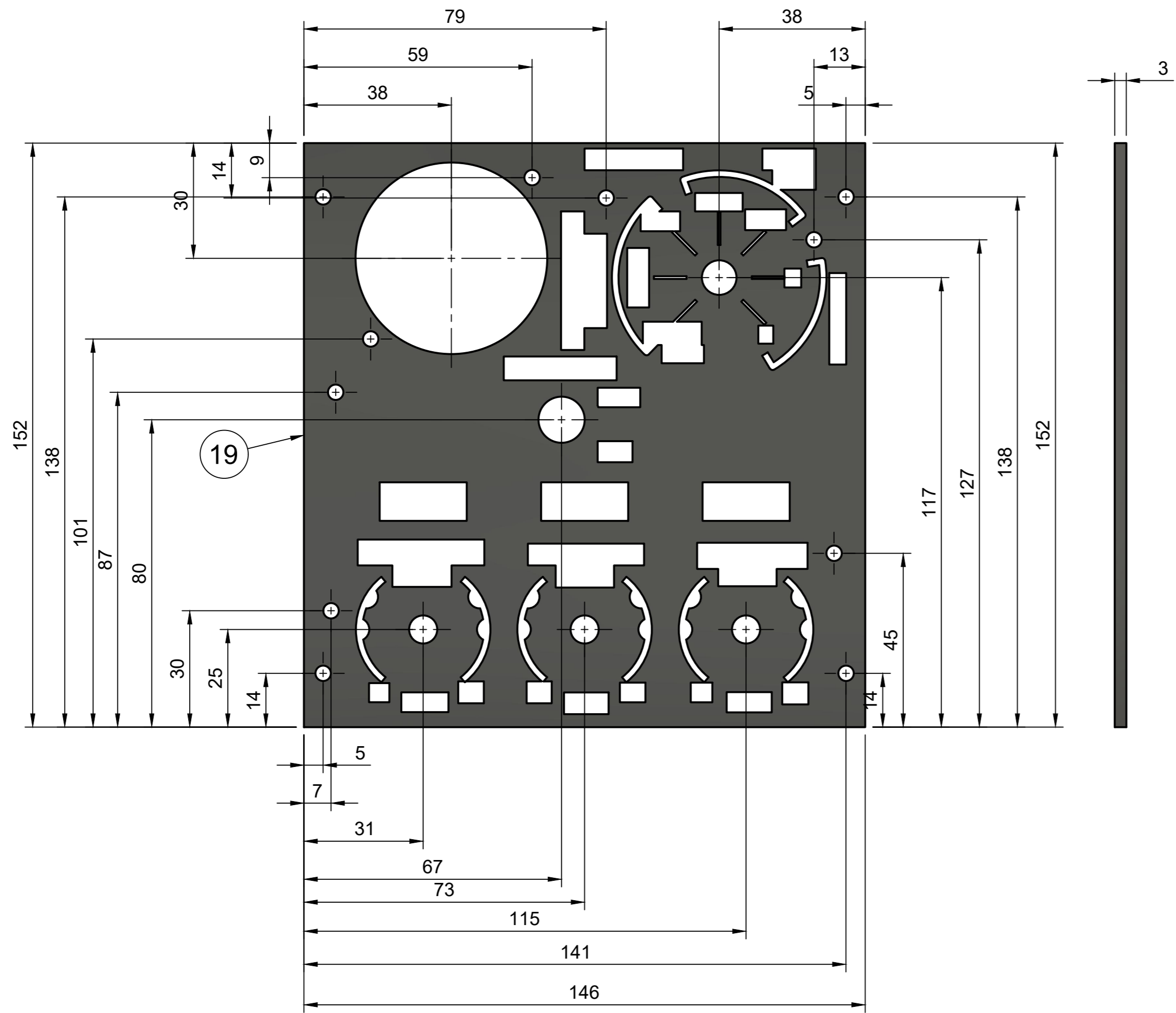
Parts List		
Item	Qty	Part Number
2	1	GAUGE CASE



	Created by:		Karl Clarke
			www.737DIYSIM.com
	Title:		OVHD TEMP PANEL
	Rev.	Date of issue	Sheet
			4/5

1 2 3 4 5 6 7 8 9 10 11 12

Parts List		
Item	Qty	Part Number
19	1	BACKPLATE



Created by: Karl Clarke		
www.737DIYSIM.com		
Title: OVHD TEMP PANEL		
Rev.	Date of issue	Sheet 5/5