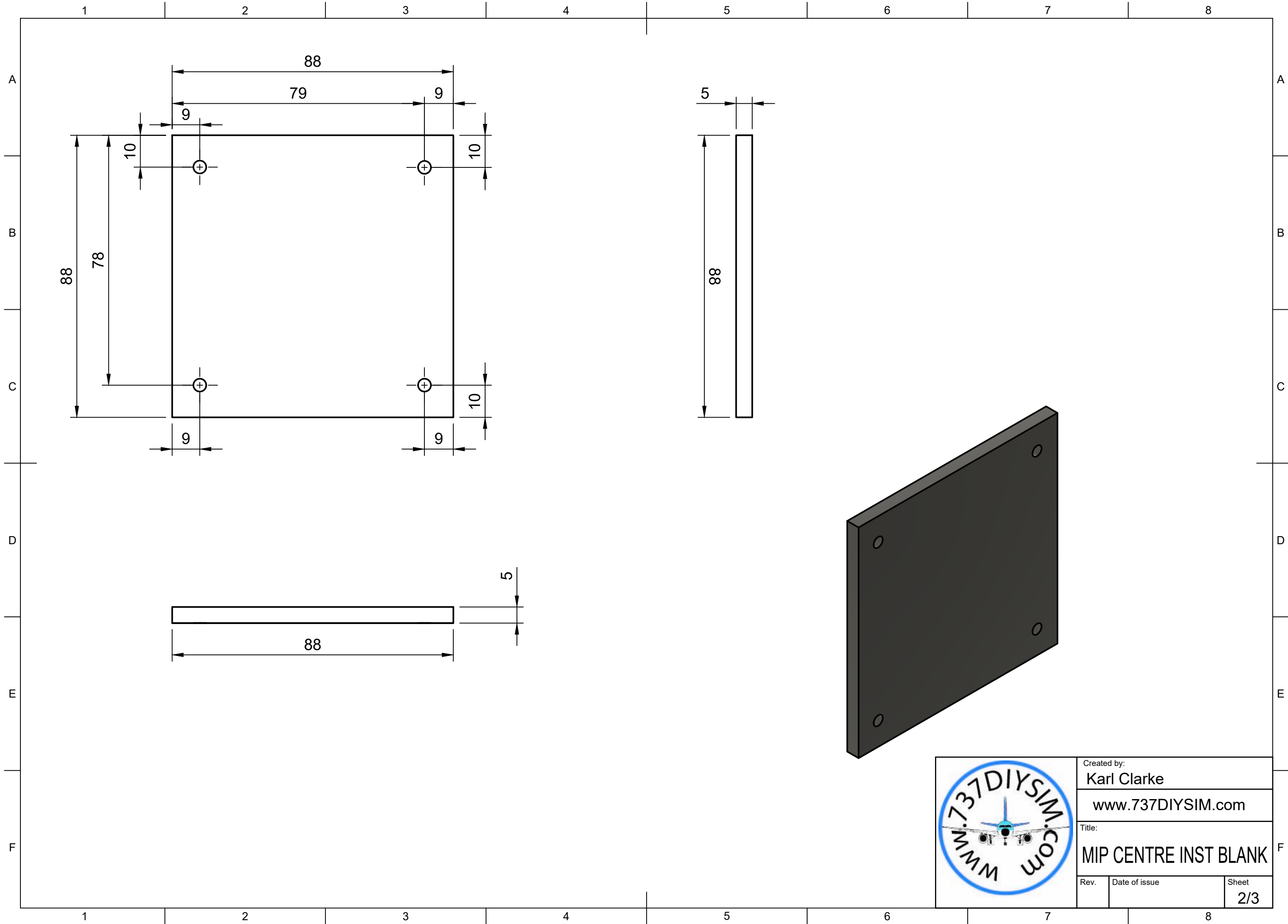


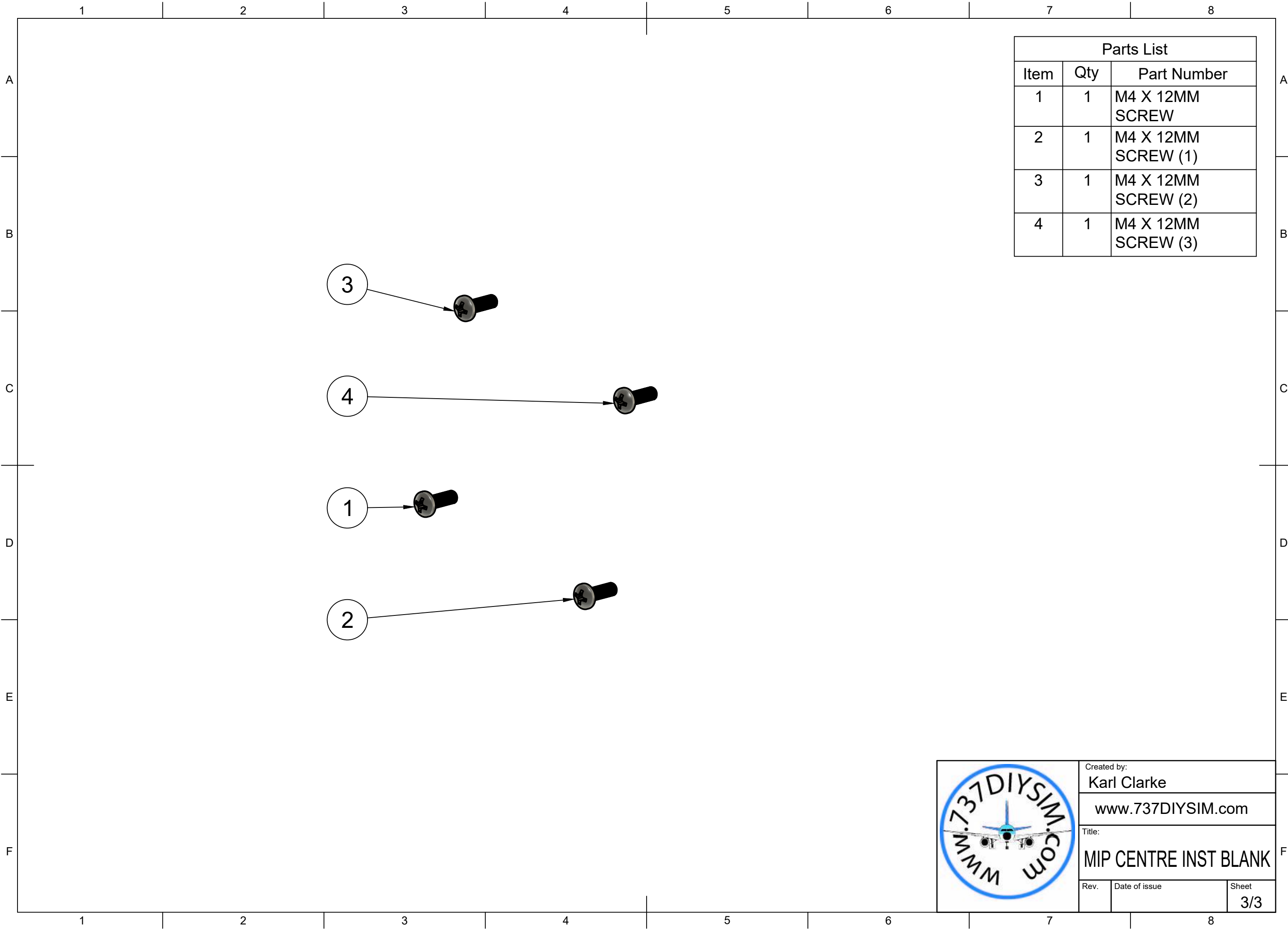
Parts List		
Item	Qty	Part Number
1	1	UPPER STBY INST BLANK
2	1	INSTR BLANK SCREWS



Created by: Karl Clarke		
www.737DIYSIM.com		
Title: MIP CENTRE INST BLANK		
Rev.	Date of issue	Sheet 1/3



Created by:		
Karl Clarke		
www.737DIYSIM.com		
Title:		
MIP CENTRE INST BLANK		
Rev.	Date of issue	Sheet
		2/3



Parts List		
Item	Qty	Part Number
1	1	M4 X 12MM SCREW
2	1	M4 X 12MM SCREW (1)
3	1	M4 X 12MM SCREW (2)
4	1	M4 X 12MM SCREW (3)

	Created by: Karl Clarke	
	www.737DIYSIM.com	
	Title: MIP CENTRE INST BLANK	
	Rev.	Date of issue